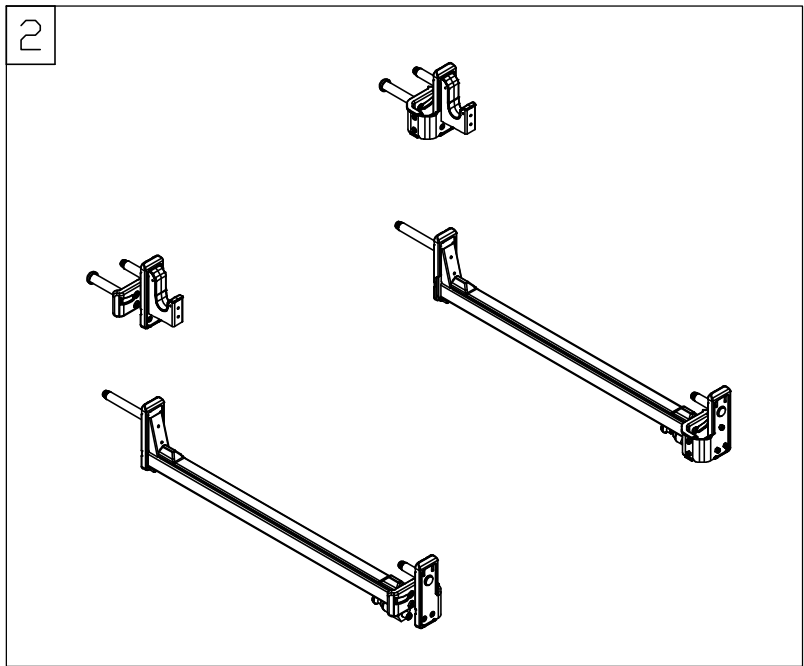
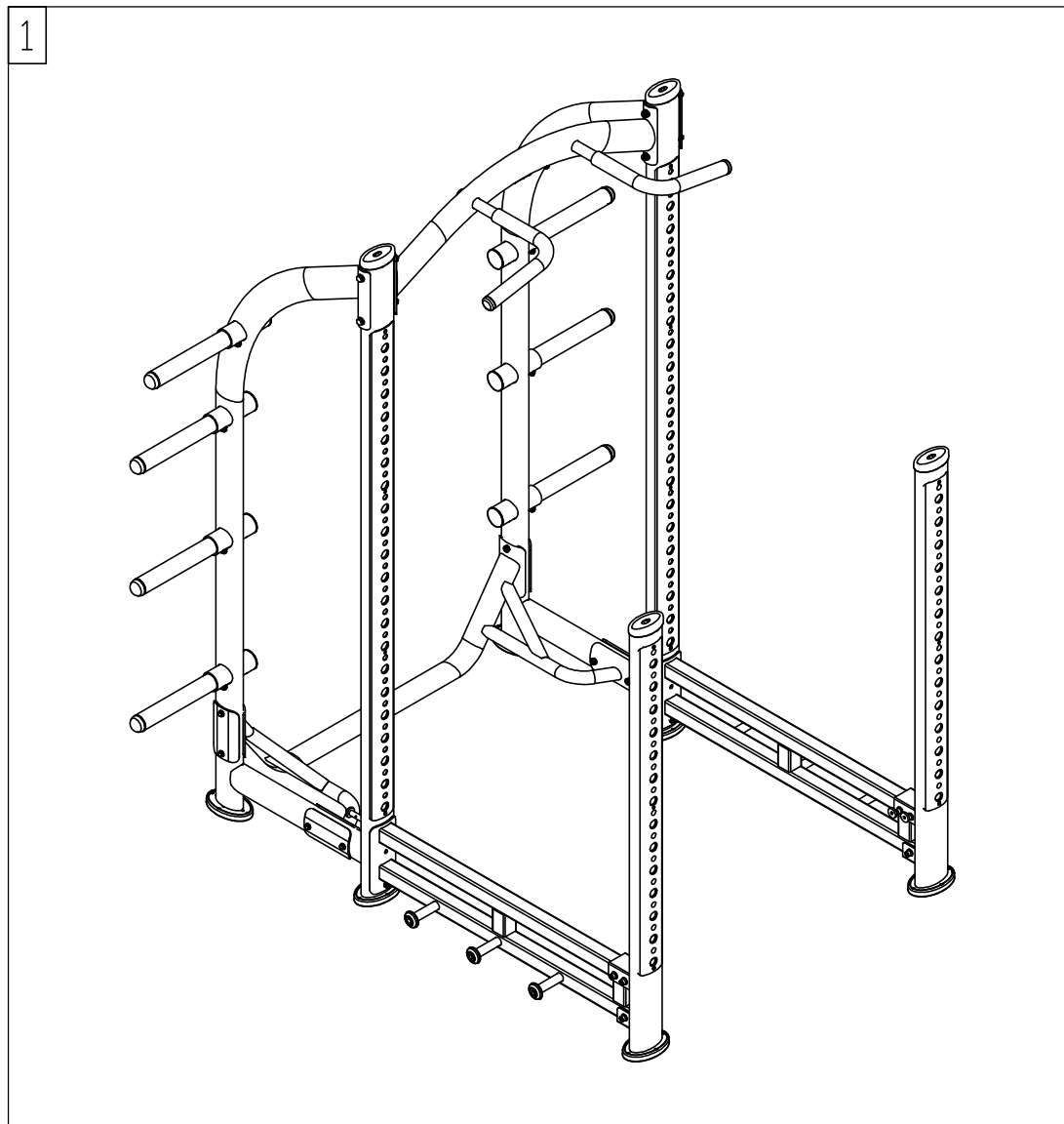
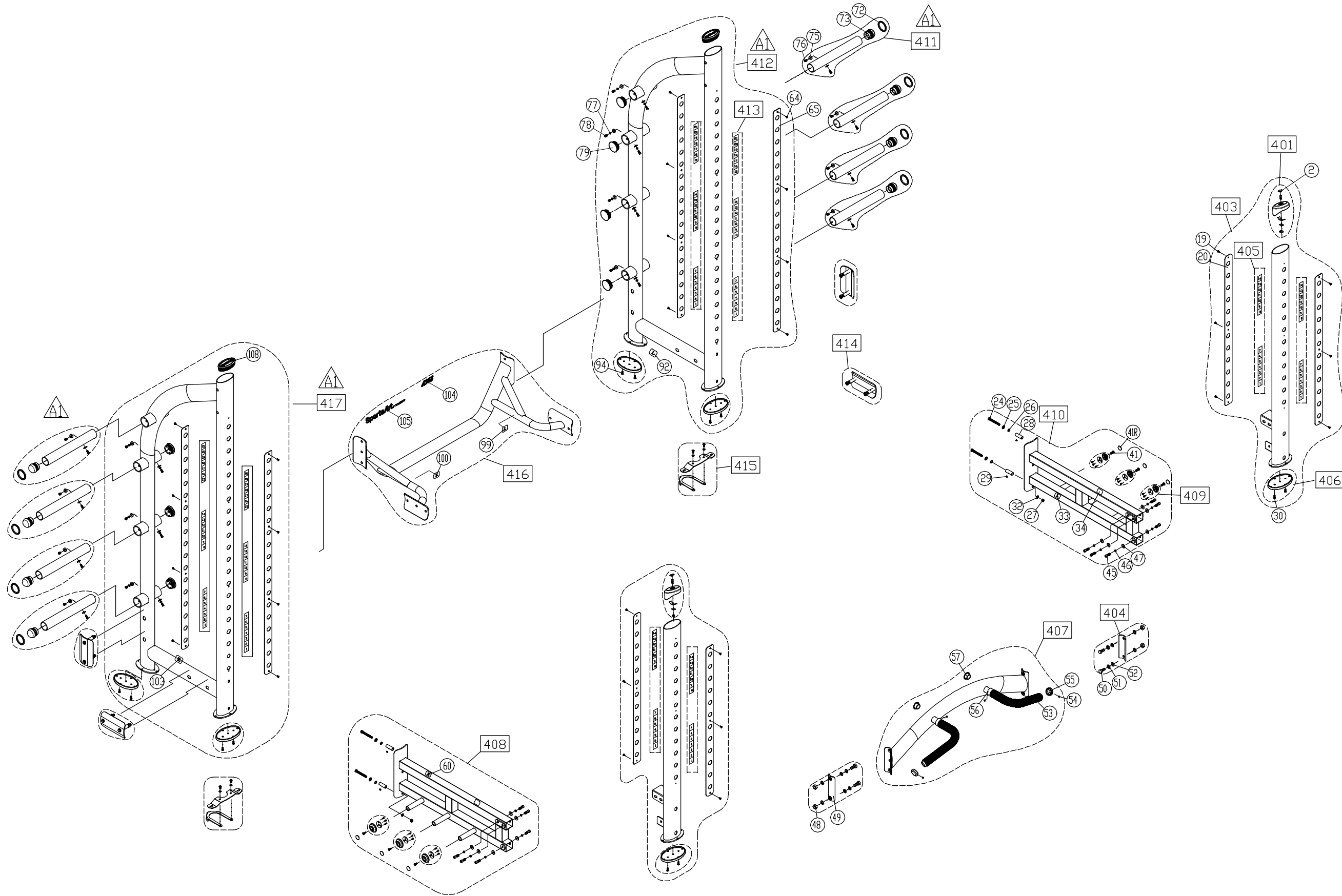


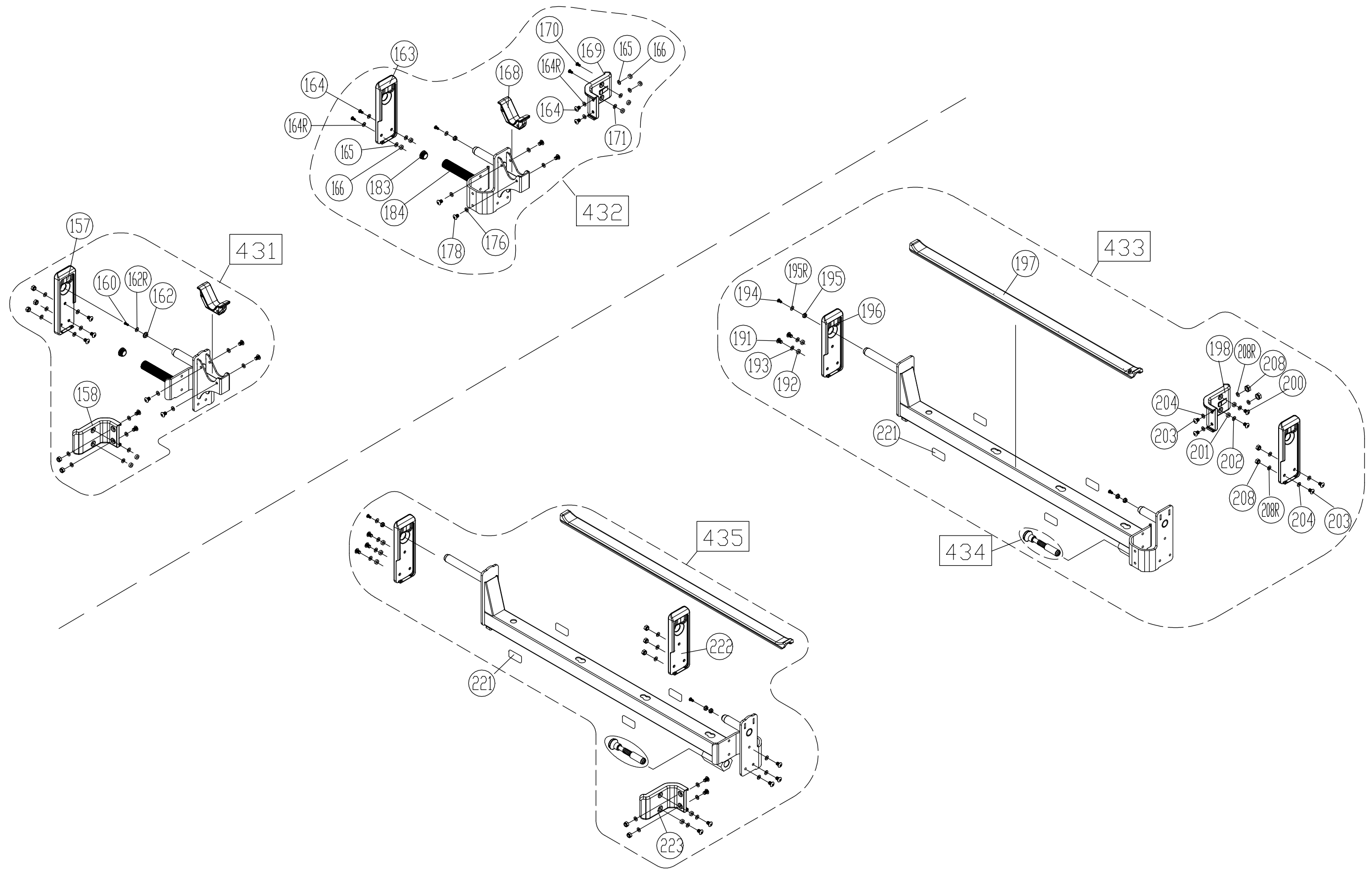
No.	Diagram	Tool Needed
1	GKC-F101B	
2	GKB-F101C	



CHANGE DATE	CHANGE DESCRIPTION	CHANGE NO.	NAME	<p align="center">SportsArt FITNESS</p> <p align="center">RESTRICTED USAGE , PLEASE DON'T FORWARD TO ANYONE WHO ISN'T AUTHORIZED</p>	DRAWN BY	UNITS	MM	SALES BLOW UP DIAGRAM	DIAGRAM NO.	GKC-F101A-A	
					VERIFIED BY		QTY	1	XX	MODEL	A967
							VERSION	A0			
							RATIO	1:21			



CHANGE DATE	CHANGE DESCRIPTION	CHANGE NO.	NAME	 RESTRICTED USAGE , PLEASE DON'T FORWARD TO ANYONE WHO ISN'T AUTHORIZED	DRAWN BY	UNITS	MM	SALES BLOW UP DIAGRAM	DIAGRAM NO.	GKC-F101B-A	
2017.09.07	修改料件 412 417 : 411 增加兩組		卓秣萱		VERIFIED BY	QTY	1				A967
						VERSION	A1	XX		MODEL	
						RATIO	1:21				



CHANGE DATE	CHANGE DESCRIPTION	CHANGE NO.	NAME	 RESTRICTED USAGE , PLEASE DON'T FORWARD TO ANYONE WHO ISN'T AUTHORIZED	DRAWN BY	UNITS	MM	SALES BLOW UP DIAGRAM	DIAGRAM NO.	GKB-F101C-A	
							QTY	1			A966
						VERIFIED BY	VERSION	A0	XX	MODEL	
							RATIO	1:22			