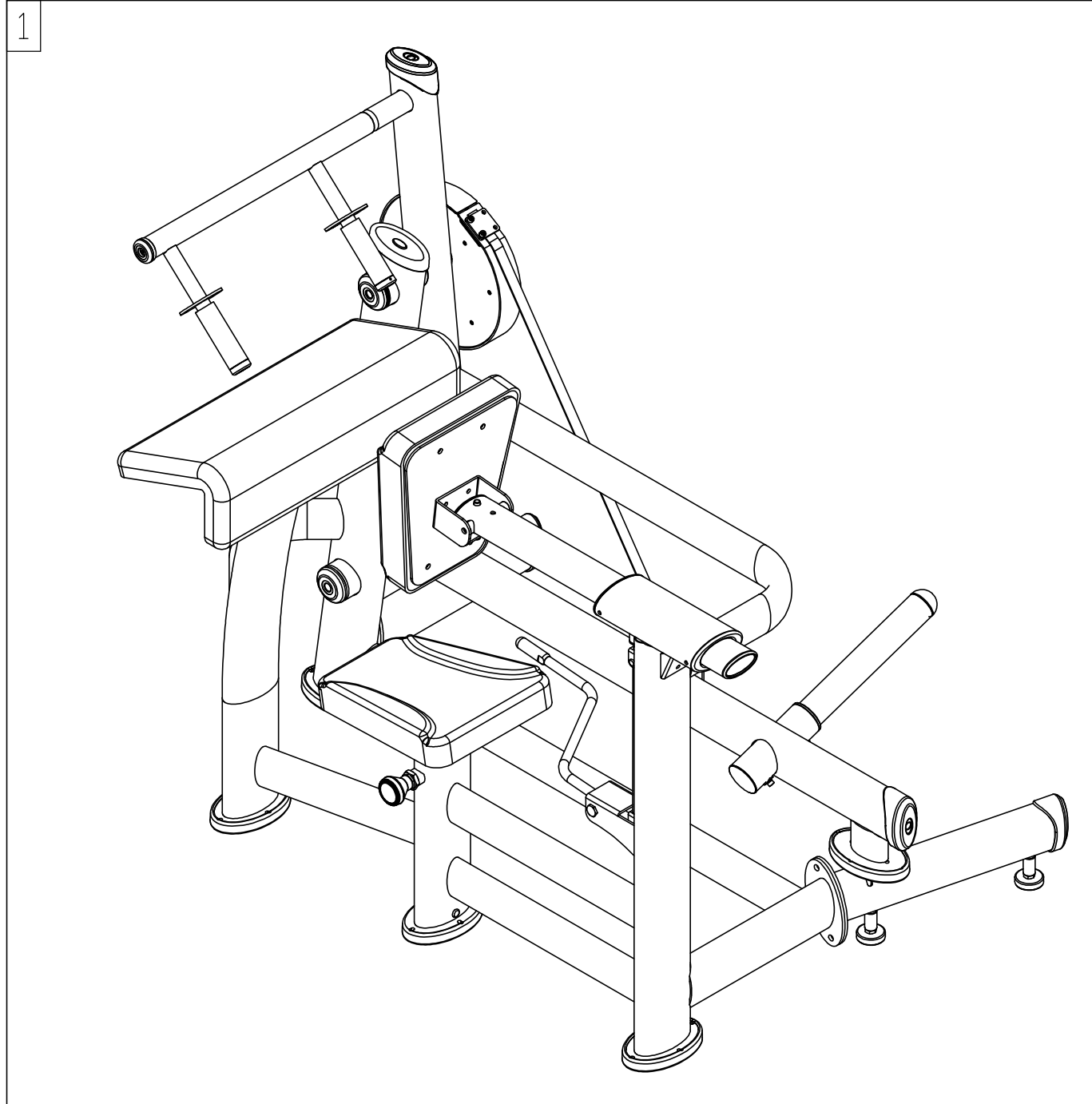
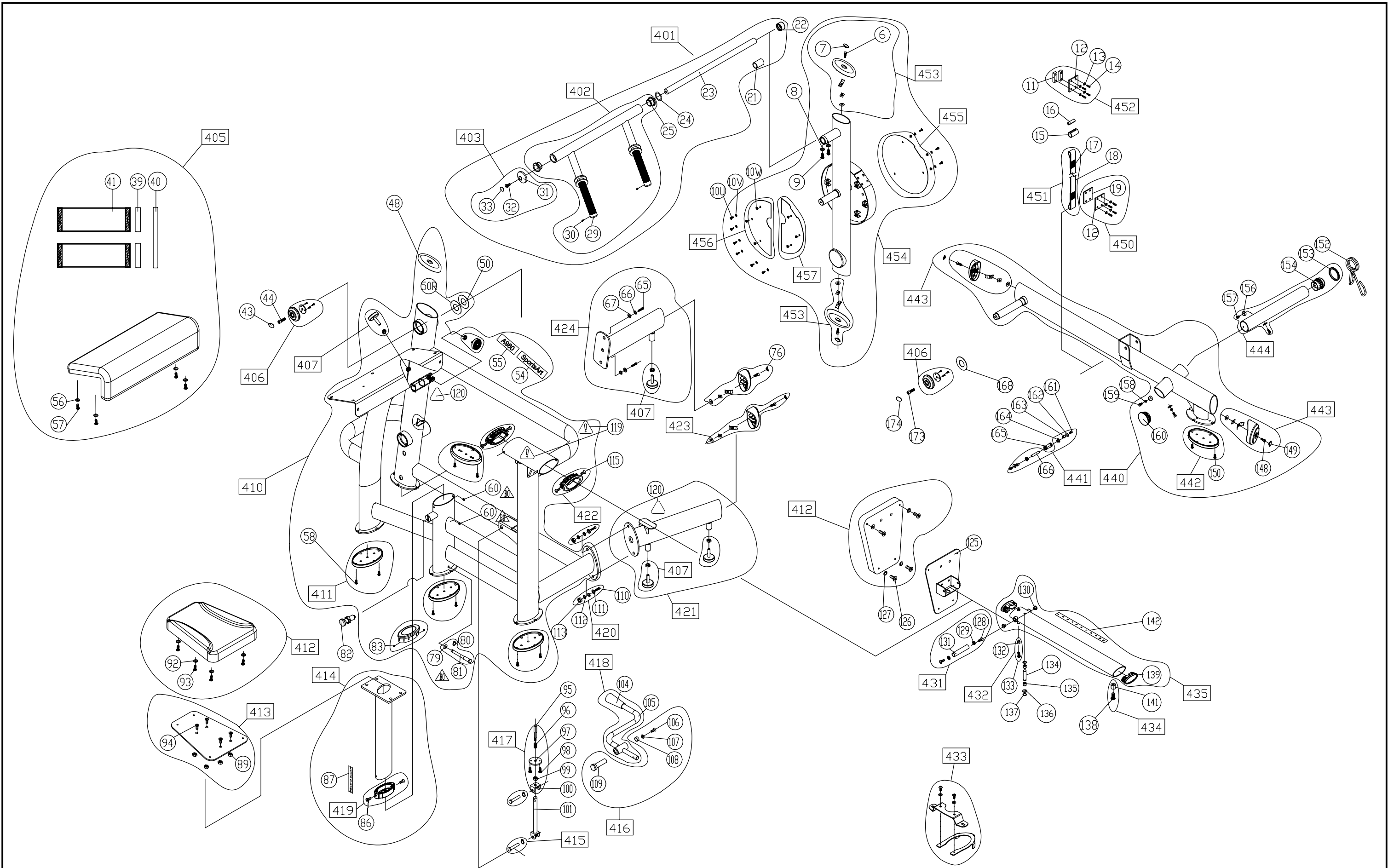


No.	Diagram	Tool Needed
1	GKF-F101B	



CHANGE DATE	CHANGE DESCRIPTION	CHANGE NO.	NAME	SportsArt FITNESS RESTRICTED USAGE , PLEASE DON'T FORWARD TO ANYONE WHO ISN'T AUTHORIZED	DRAWN BY	UNITS	MM	SALES BLOW UP DIAGRAM	DIAGRAM NO.	GKF-F101A-A
					VERIFIED BY	QTY	1	XXX	MODEL	A980
						VERSION	A0			
						RATIO	1:10			



CHANGE DATE	CHANGE DESCRIPTION	CHANGE NO.	NAME	UNITS	MM	SALES BLOW UP DIAGRAM	DIAGRAM NO.	GKF-F101B-B
2012.12.04	▲增(19)(50)(60)(79)(80)(81)(120), 變更(15)(16)順序,	05-20171104M	許懷恩	QTY	1	XXX		A980
	變更(119)(139)數量 (139)規格			VERSION	B1		MODEL	
2020.08.04	▲B1 組件號重新編排		張又仁	RATIO	1:15			


 RESTRICTED USAGE,
 PLEASE DON'T FORWARD TO ANYONE WHO ISN'T AUTHORIZED

DRAWN BY
 VERIFIED BY