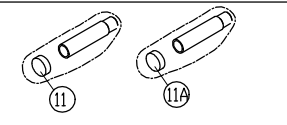
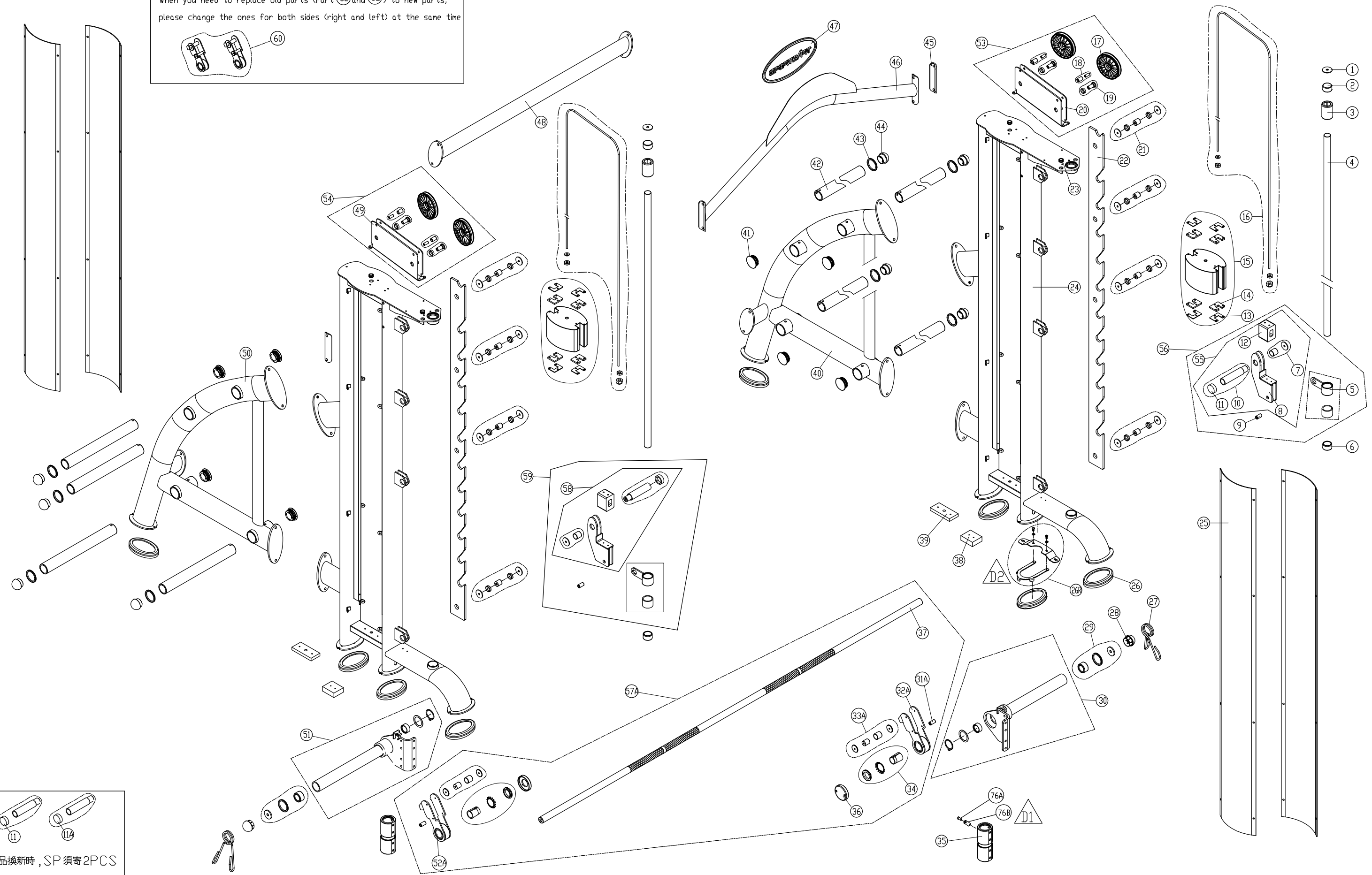
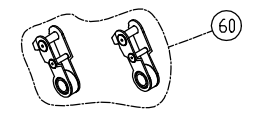


When you need to replace old parts (Part 32 and 52) to new parts, please change the ones for both sides (right and left) at the same time



舊品換新時，SP須寄2PCS

CHANGE DATE	CHANGE DESCRIPTION	CHANGE NO.	NAME	 RESTRICTED USAGE , PLEASE DON'T FORWARD TO ANYONE WHO ISN'T AUTHORIZED	DRAWN BY	UNITS	MM	SALES BLOW UP DIAGRAM	DIAGRAM NO.	GGD-F001A-D	
2012.07.12	 修改件號 (76) 零件，由於操作原有檔點太低，可能刮傷烤漆		林士文		VERIFIED BY	QTY	1				A983
2016.04.29	 為增加機台固定性，新增 (26R)	05-20151205M	鄭宜峰			VERSION	D2	XX		MODEL	
98.6.5	修改 (31)=(31A) (32)=(32A) (33)=(33A) (52)=(52A) 新增 (60)	05-980607	陳泓霖			RATIO	1:16				