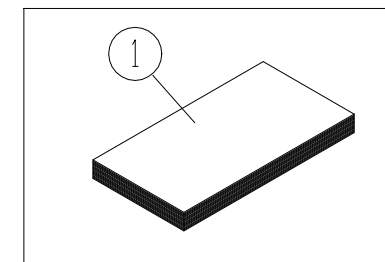
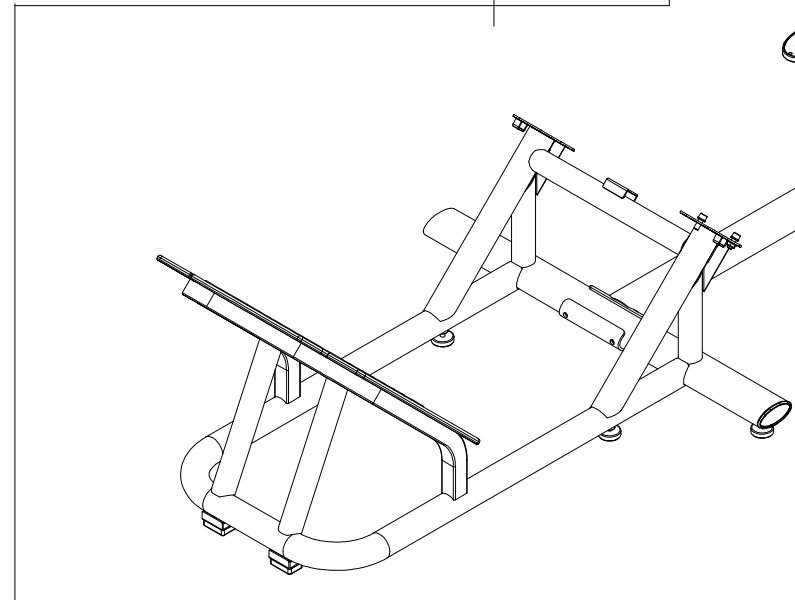
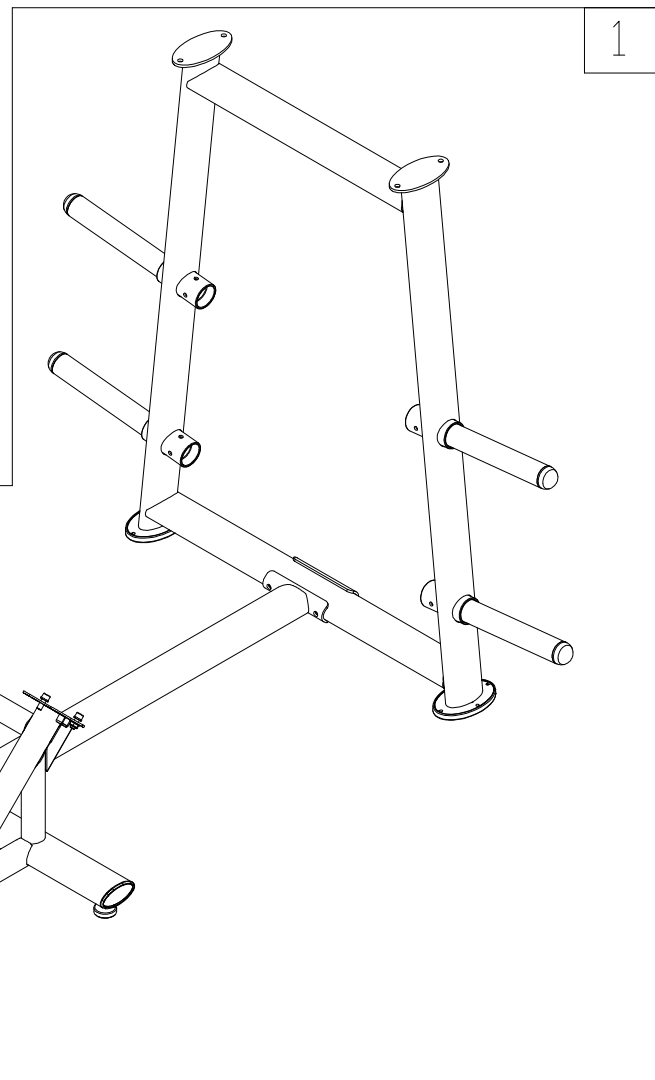
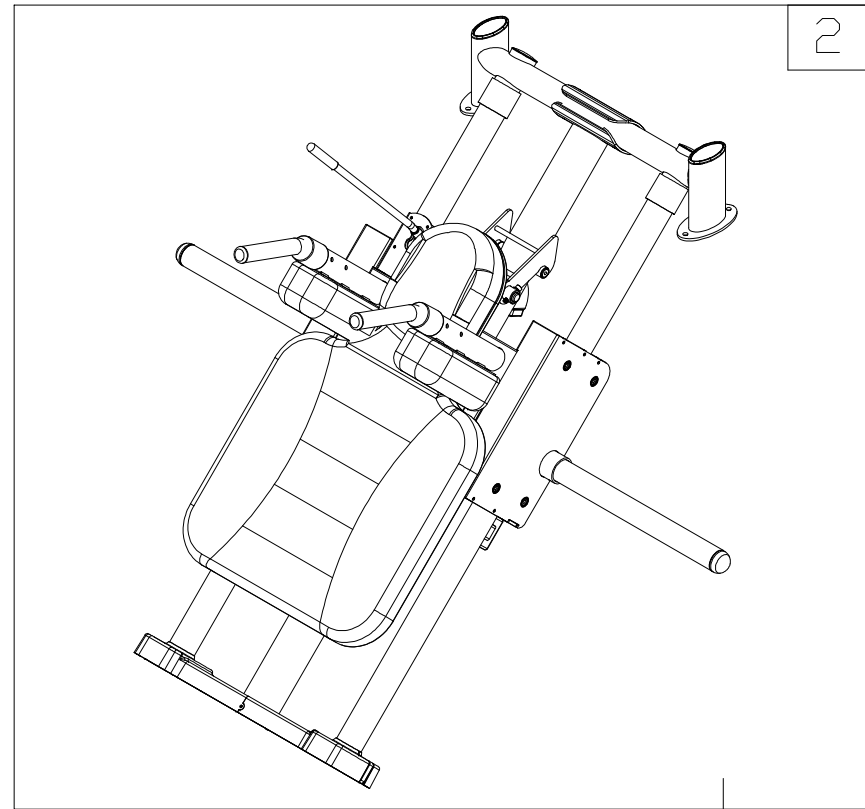
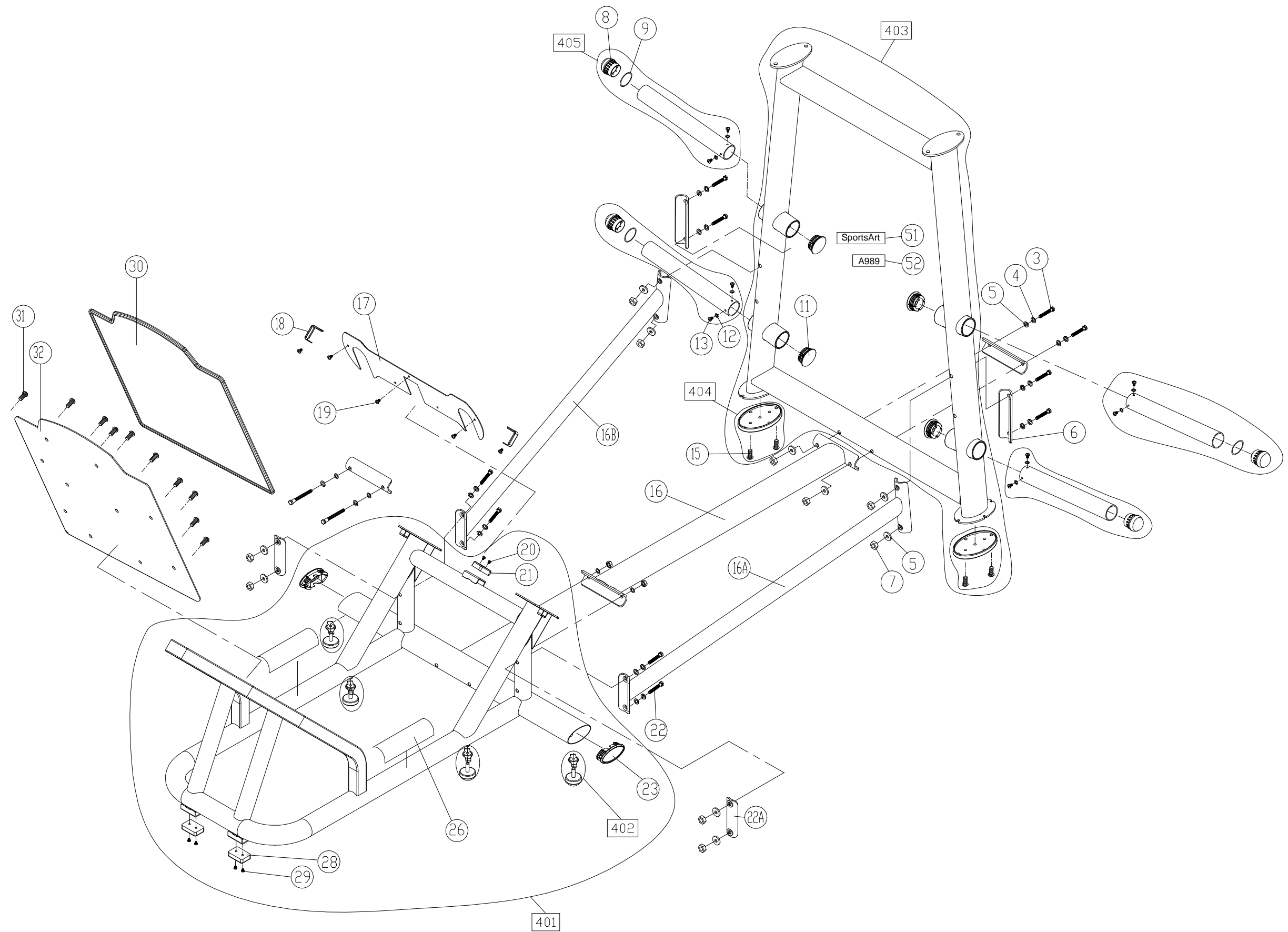


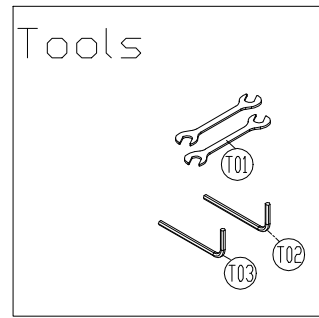
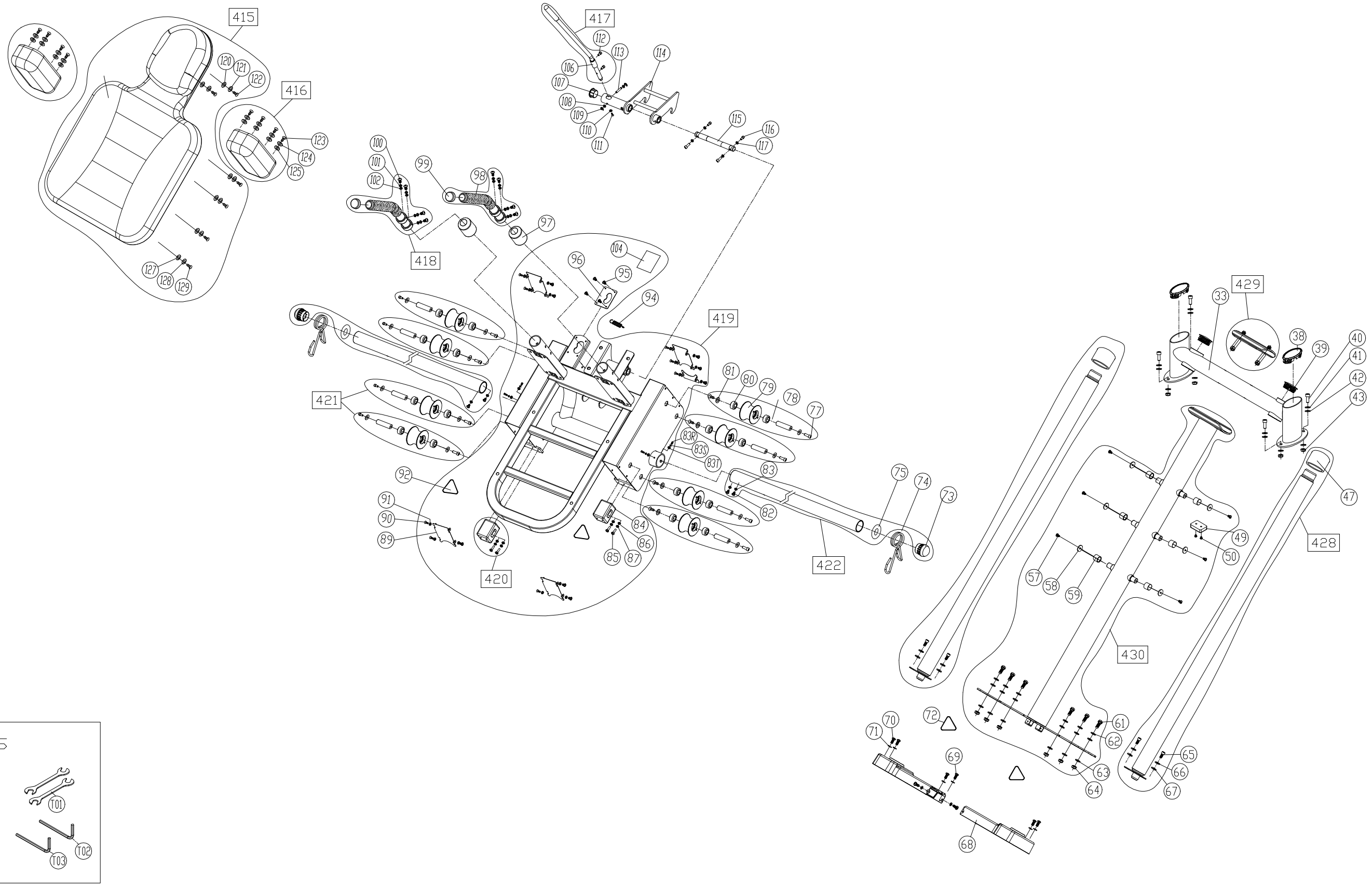
No.	Diagram	Tool Needed
1	GGs-F101B	
2	GGs-F101C	
3		



CHANGE DATE	CHANGE DESCRIPTION	CHANGE NO.	NAME	SportsArt FITNESS RESTRICTED USAGE , PLEASE DON'T FORWARD TO ANYONE WHO ISN'T AUTHORIZED	DRAWN BY	UNITS	MM	SALES BLOW UP DIAGRAM	DIAGRAM NO.	GGs-F101A-A	
					VERIFIED BY		QTY	1	XX	MODEL	A989
							VERSION	A0			
							RATIO	1:16			



CHANGE DATE	CHANGE DESCRIPTION	CHANGE NO.	NAME	 RESTRICTED USAGE , PLEASE DON'T FORWARD TO ANYONE WHO ISN'T AUTHORIZED	DRAWN BY	UNITS	MM	SALES BLOW UP DIAGRAM	DIAGRAM NO.	GGS-F101B-A	
					VERIFIED BY	QTY	1			A989	
						VERSION	A0	XX		MODEL	
						RATIO	1:12				



CHANGE DATE	CHANGE DESCRIPTION	CHANGE NO.	NAME	 RESTRICTED USAGE , PLEASE DON'T FORWARD TO ANYONE WHO ISN'T AUTHORIZED	DRAWN BY	UNITS	MM	SALES BLOW UP DIAGRAM	DIAGRAM NO.	GGS-F101C-A	
					VERIFIED BY	QTY	1				A989
						VERSION	A0	XX		MODEL	
						RATIO	1:16				