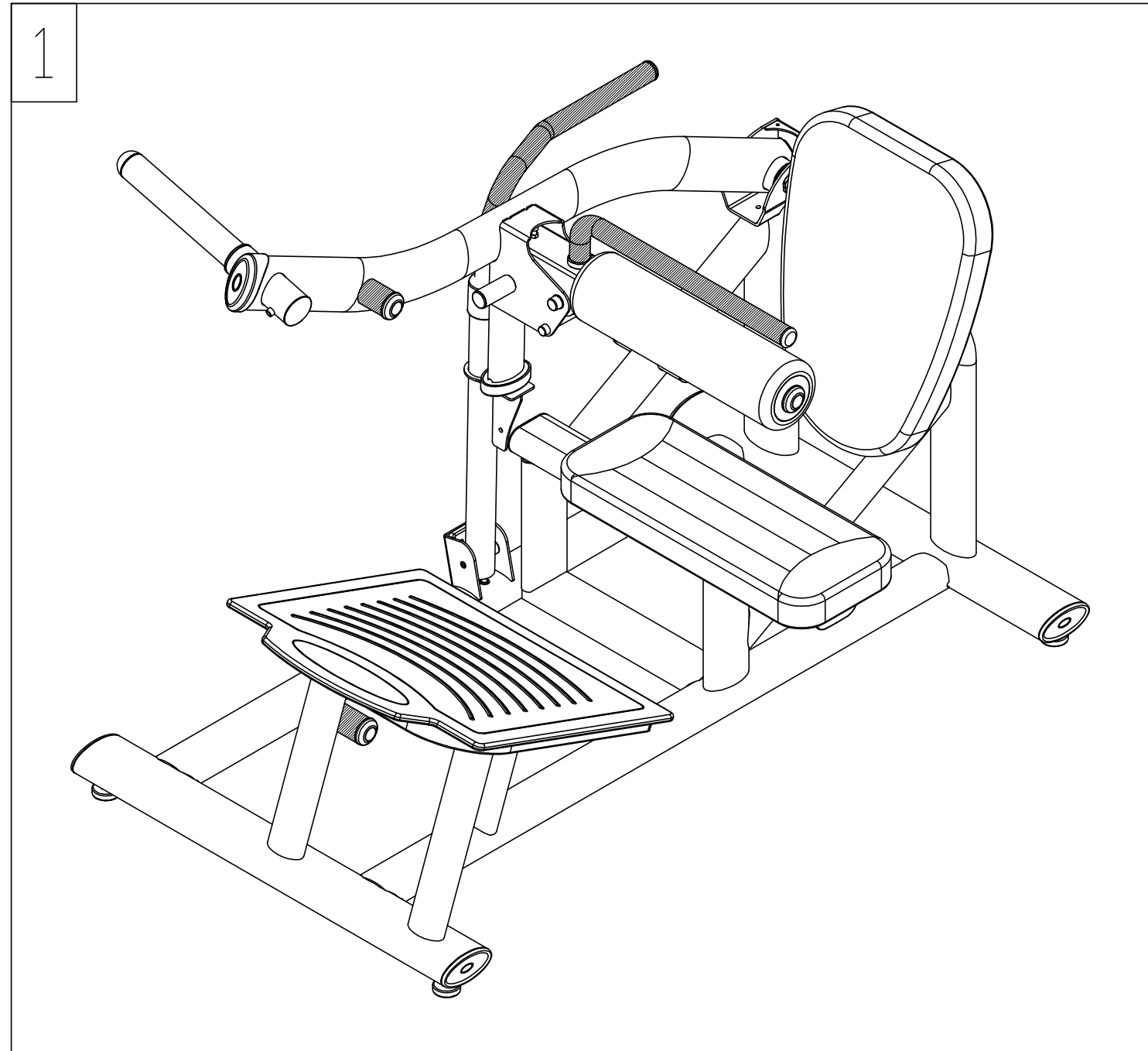
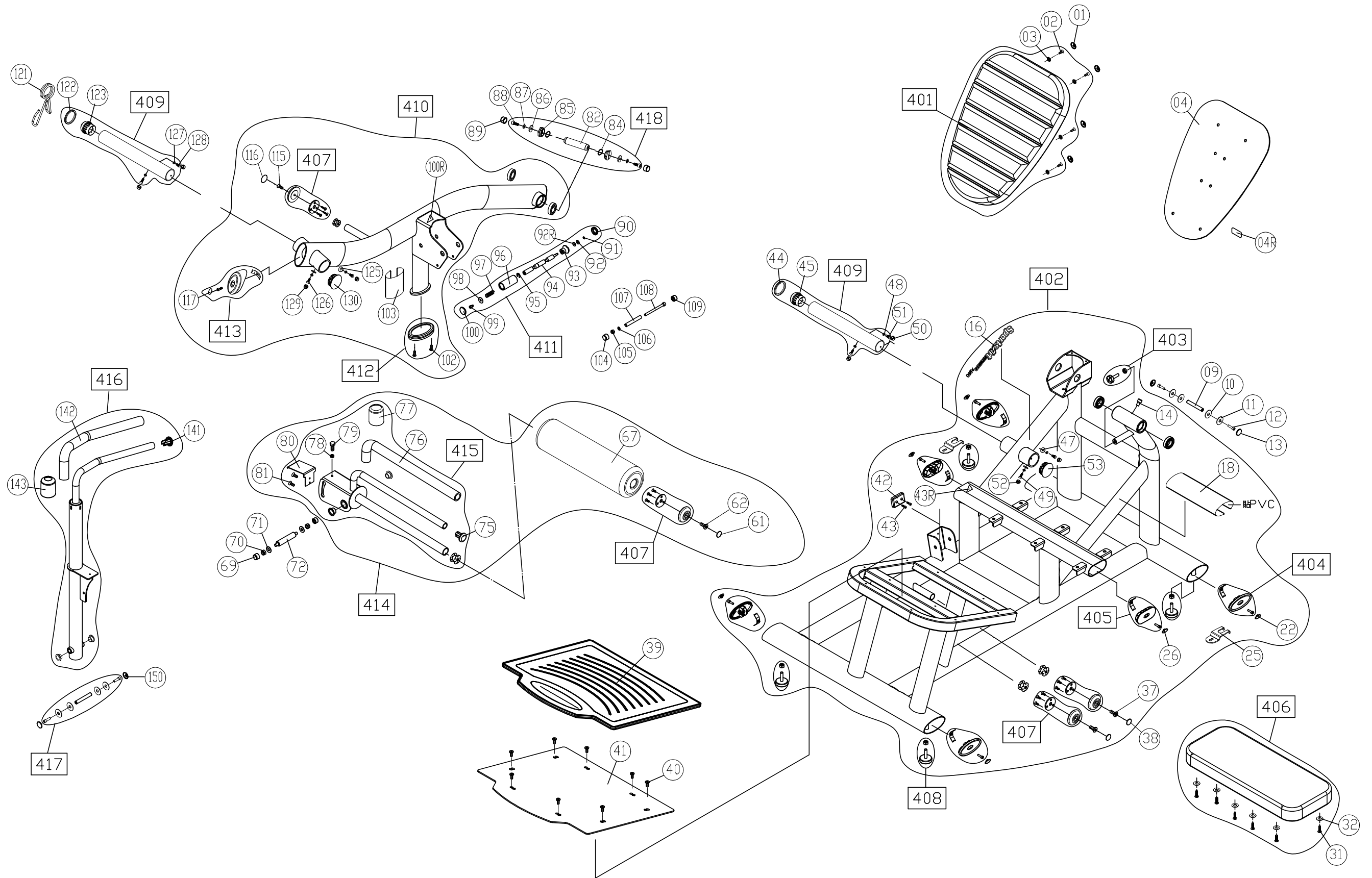


No.	Diagram	Tool Needed	Part Number	components Number
1	GKN-F101B		① ~ ⑮⑩	④① ~ ④①⑥



CHANGE DATE	CHANGE DESCRIPTION	CHANGE NO.	NAME	<b>SportsArt</b> <b>FITNESS</b> RESTRICTED USAGE , PLEASE DON'T FORWARD TO ANYONE WHO ISN'T AUTHORIZED	DRAWN BY	UNITS	MM	SALES BLOW UP DIAGRAM	DIAGRAM NO.	GKN-F101A-A
					VERIFIED BY	QTY	1	XX	MODEL	A990
						VERSION	A0			
						RATIO	1:10			



CHANGE DATE	CHANGE DESCRIPTION	CHANGE NO.	NAME	<b>SportsArt</b> <b>FITNESS</b> RESTRICTED USAGE , PLEASE DON'T FORWARD TO ANYONE WHO ISN'T AUTHORIZED	DRAWN BY	UNITS	MM	SALES BLOW UP DIAGRAM	DIAGRAM NO.	GKN-F101B-A	
					VERIFIED BY	QTY	1				A990
						VERSION	A0	XX		MODEL	
						RATIO	1:15				