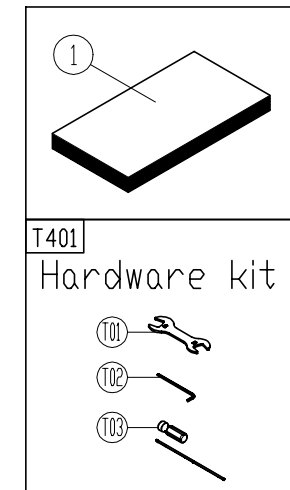
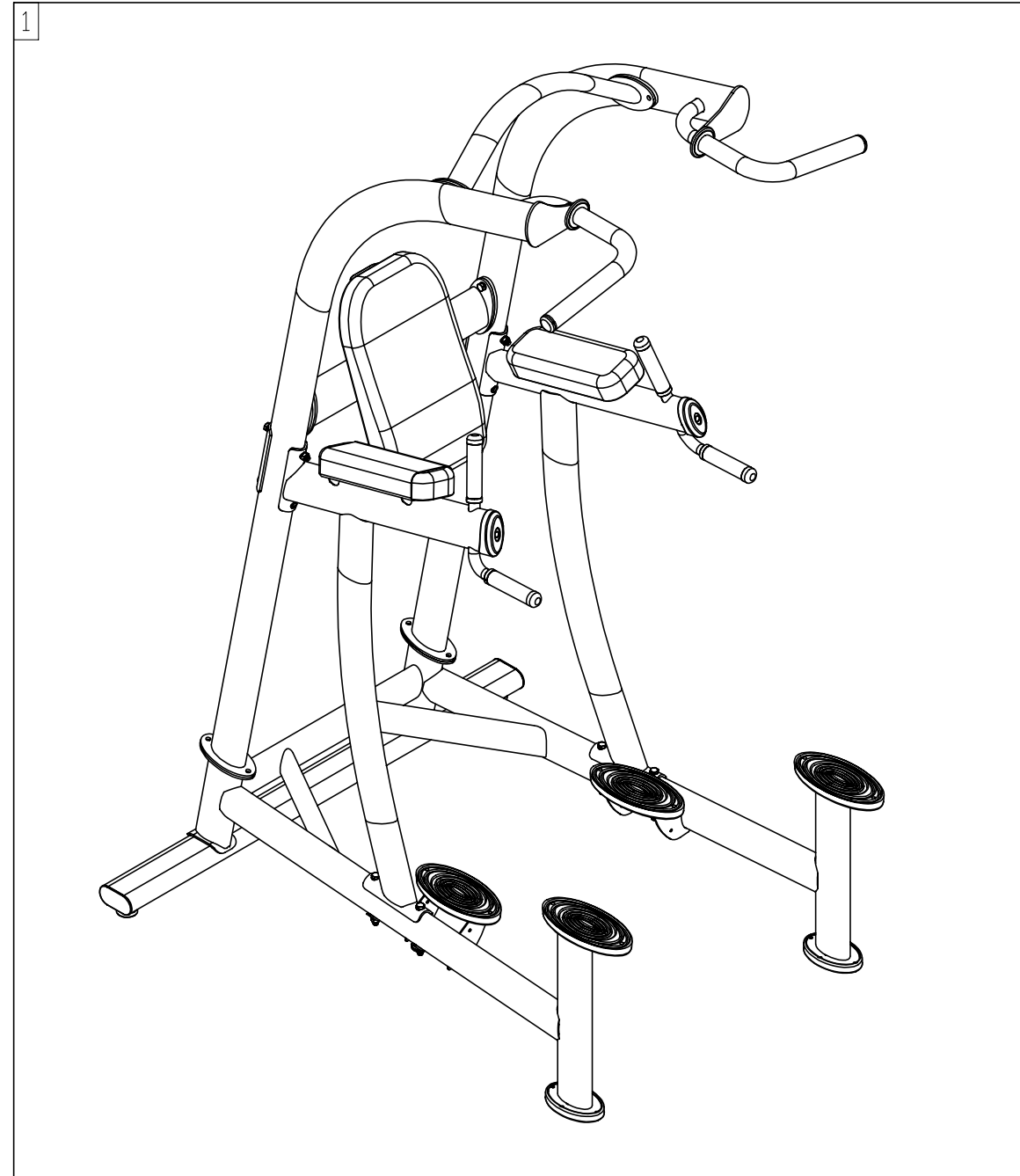
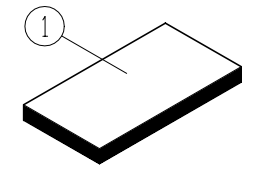
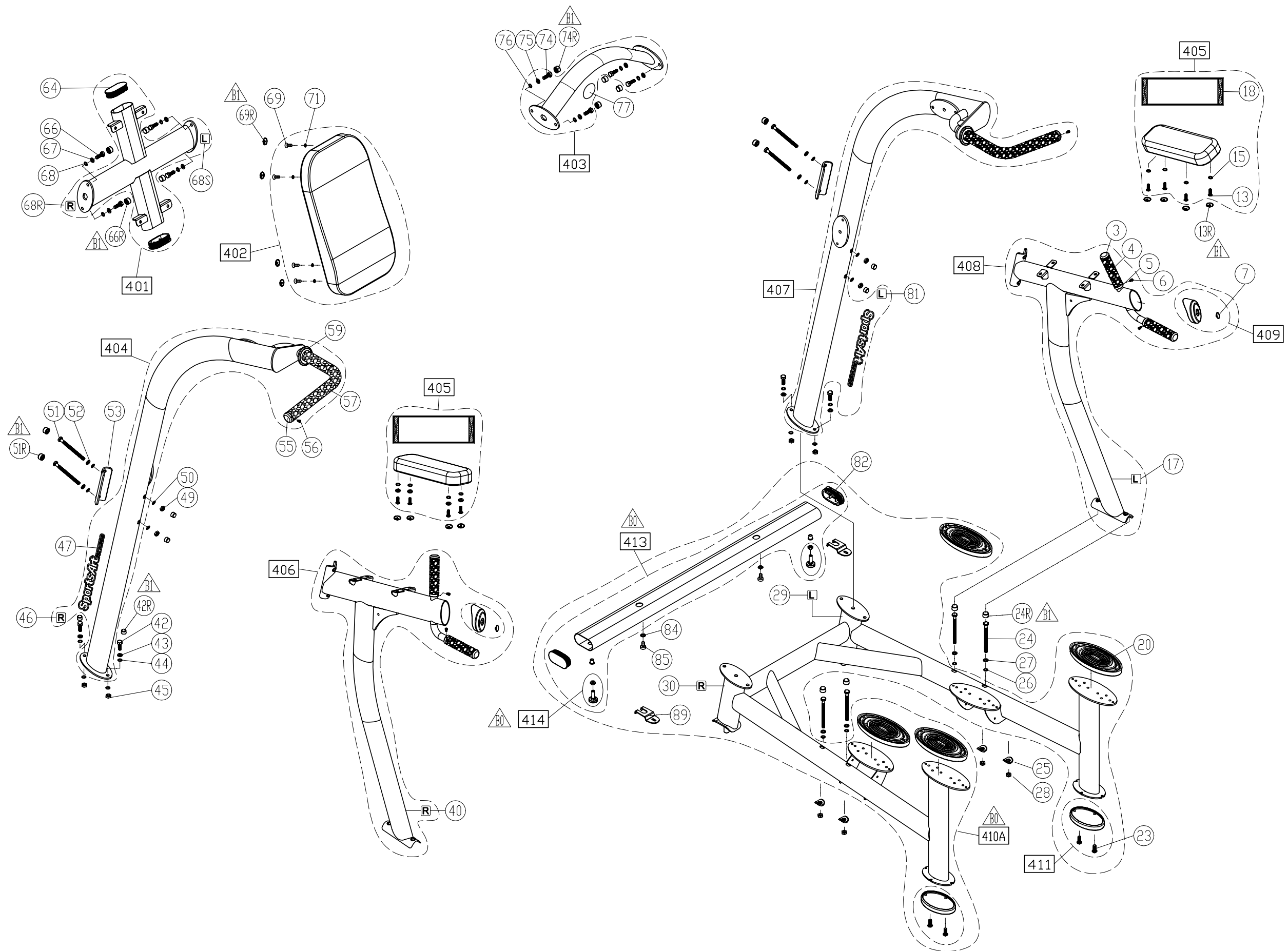


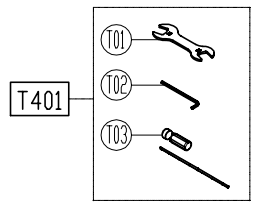
No.	Diagram	Tool Needed	Part Number	components Number
1	GKJ-F101B		① ~ ⑧⑨	401 ~ 414



CHANGE DATE	CHANGE DESCRIPTION	CHANGE NO.	NAME	 RESTRICTED USAGE , PLEASE DON'T FORWARD TO ANYONE WHO ISN'T AUTHORIZED	DRAWN BY	UNITS	MM	SALES BLOW UP DIAGRAM	DIAGRAM NO.	GKJ-F101A-B
2019.10.18	 底座組機構變更	05-20191003M	張又仁		VERIFIED BY	QTY	1	XX	MODEL	A994
2022.11.11	 圖面整理		張又仁			VERSION	B1			
						RATIO	1:15			



工具包



CHANGE DATE	CHANGE DESCRIPTION	CHANGE NO.	NAME	<p>RESTRICTED USAGE, PLEASE DON'T FORWARD TO ANYONE WHO ISN'T AUTHORIZED</p>	DRAWN BY	UNITS	MM	SALES BLOW UP DIAGRAM	DIAGRAM NO.	GKJ-F101B-B	
20191017	BO 取消 412 修改 410 = 410A 新增 413 414 (82) (84) (85) (89)	05-20191003M	張又仁		VERIFIED BY	QTY	1				A994
2022.11.10	BI 追加螺絲頭蓋 (13R) (24R) (42R) (51R) (66R) (69R) (74R)		張又仁			VERSION	B1	XX		MODEL	
						RATIO	1:15				