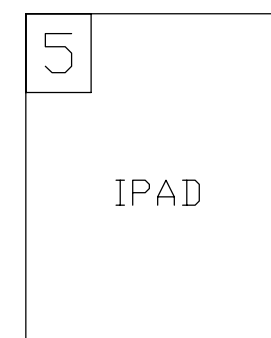
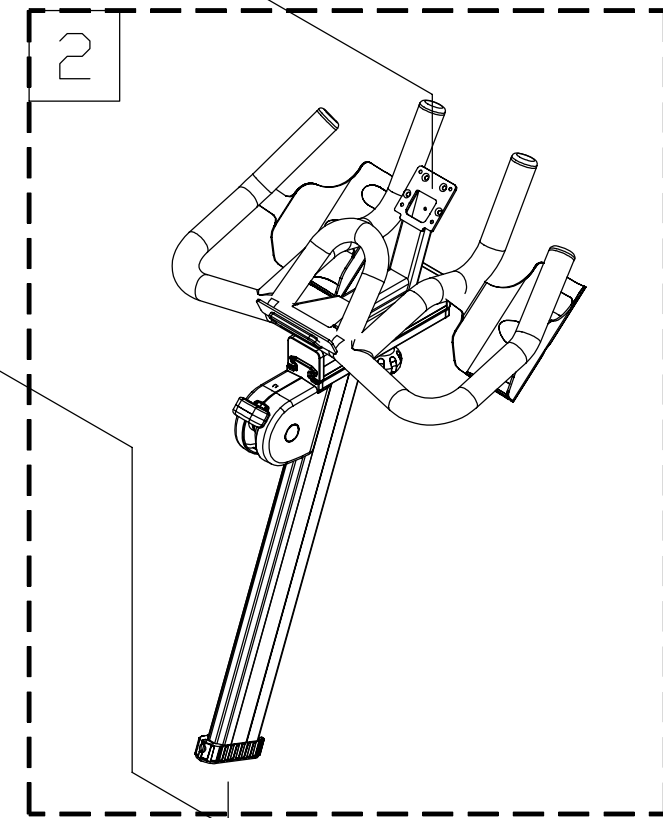
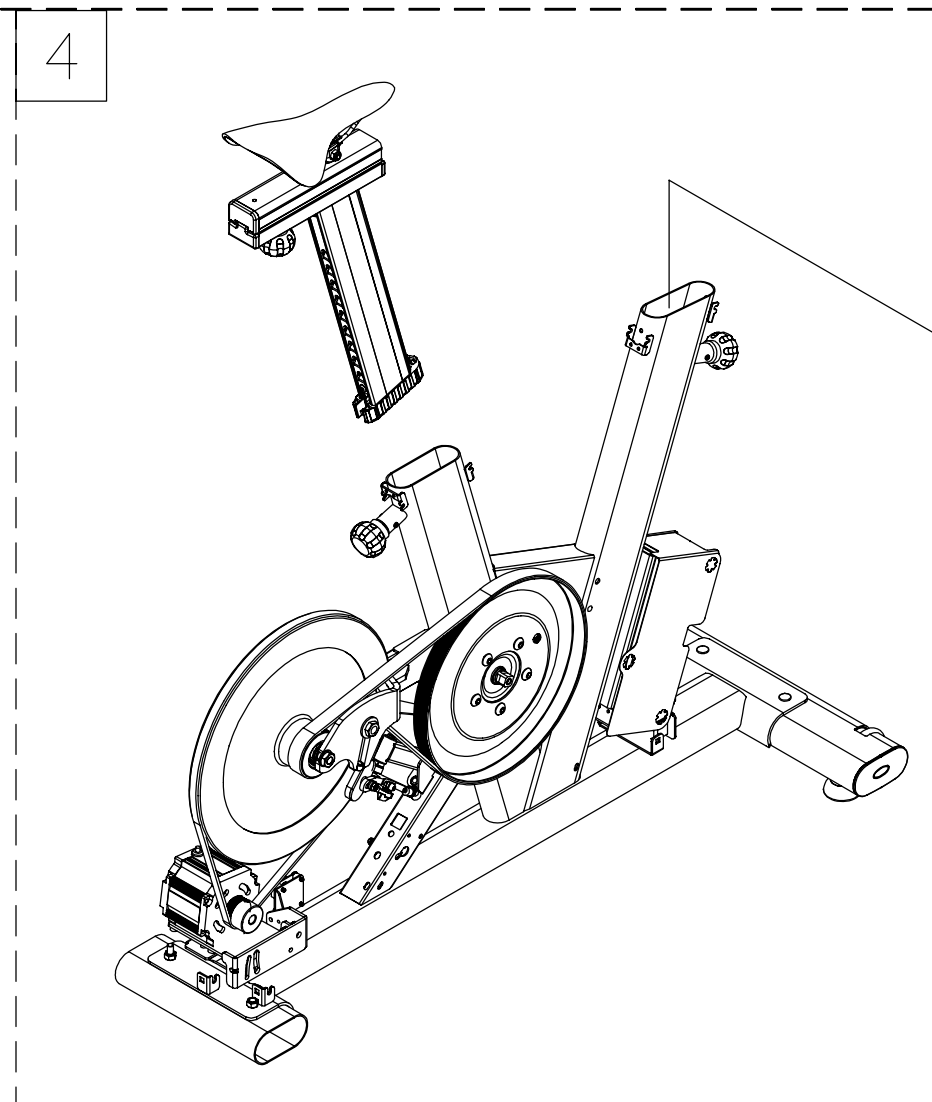
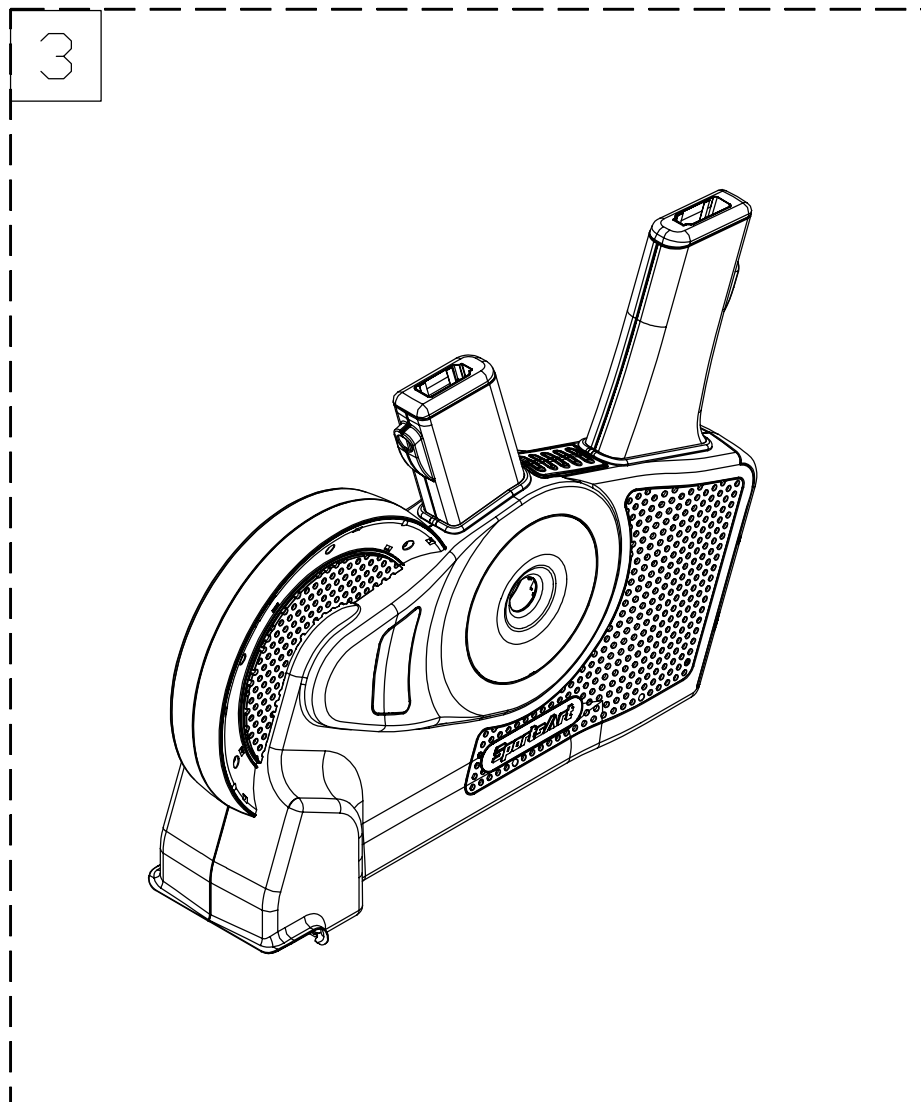
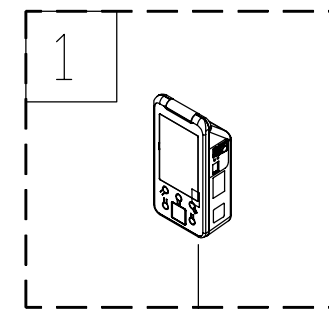
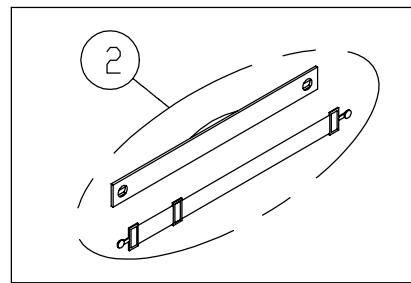
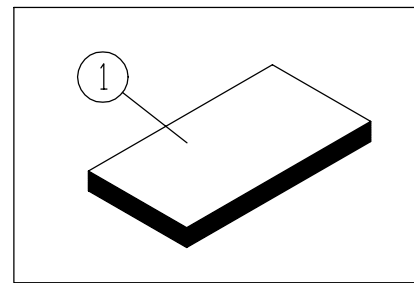
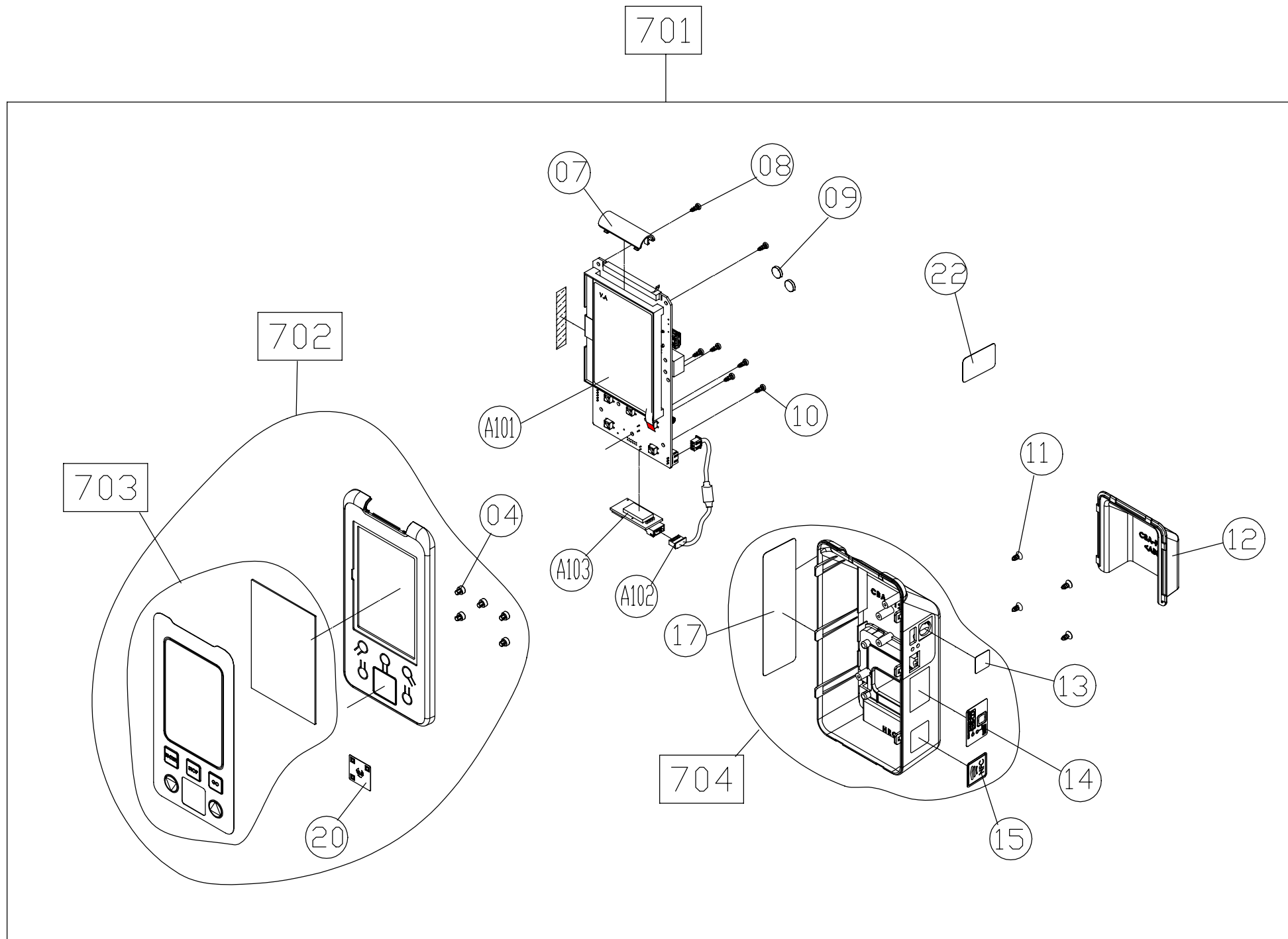


No.	Diagram	Tool Needed
1	CBA-F101B	LCD
2	CBA-F101C	
3	CBA-F101D	
4	CBA-F101E	
5	CBA-F101G	OPTIONS

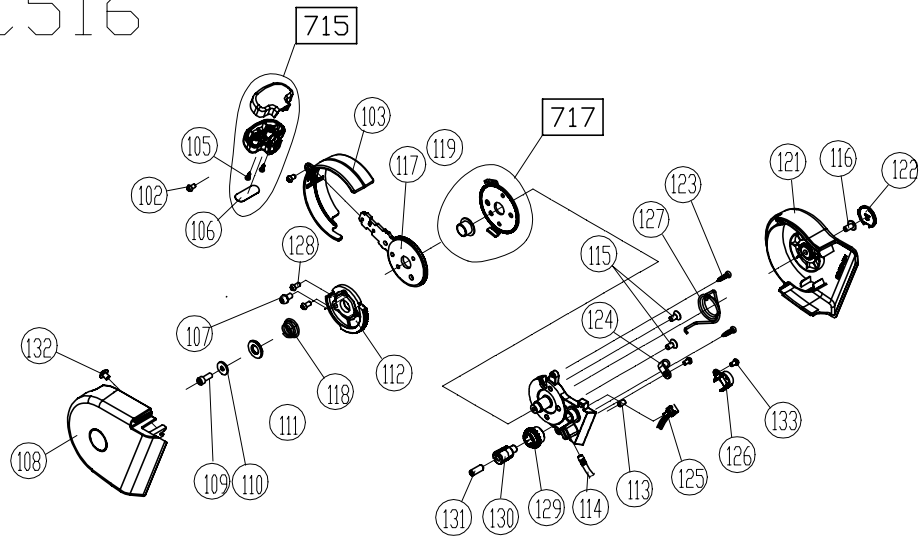


CHANGE DATE	CHANGE DESCRIPTION	CHANGE NO.	NAME	SportsArt FITNESS RESTRICTED USAGE , PLEASE DON'T FORWARD TO ANYONE WHO ISN'T AUTHORIZED	DRAWN BY	UNITS	MM	SALES BLOW UP DIAGRAM	DIAGRAM NO.	CBA-F101A-A
					VERIFIED BY	QTY	1	XX	MODEL	C516 G516
						VERSION	A0			
						RATIO	1:10			

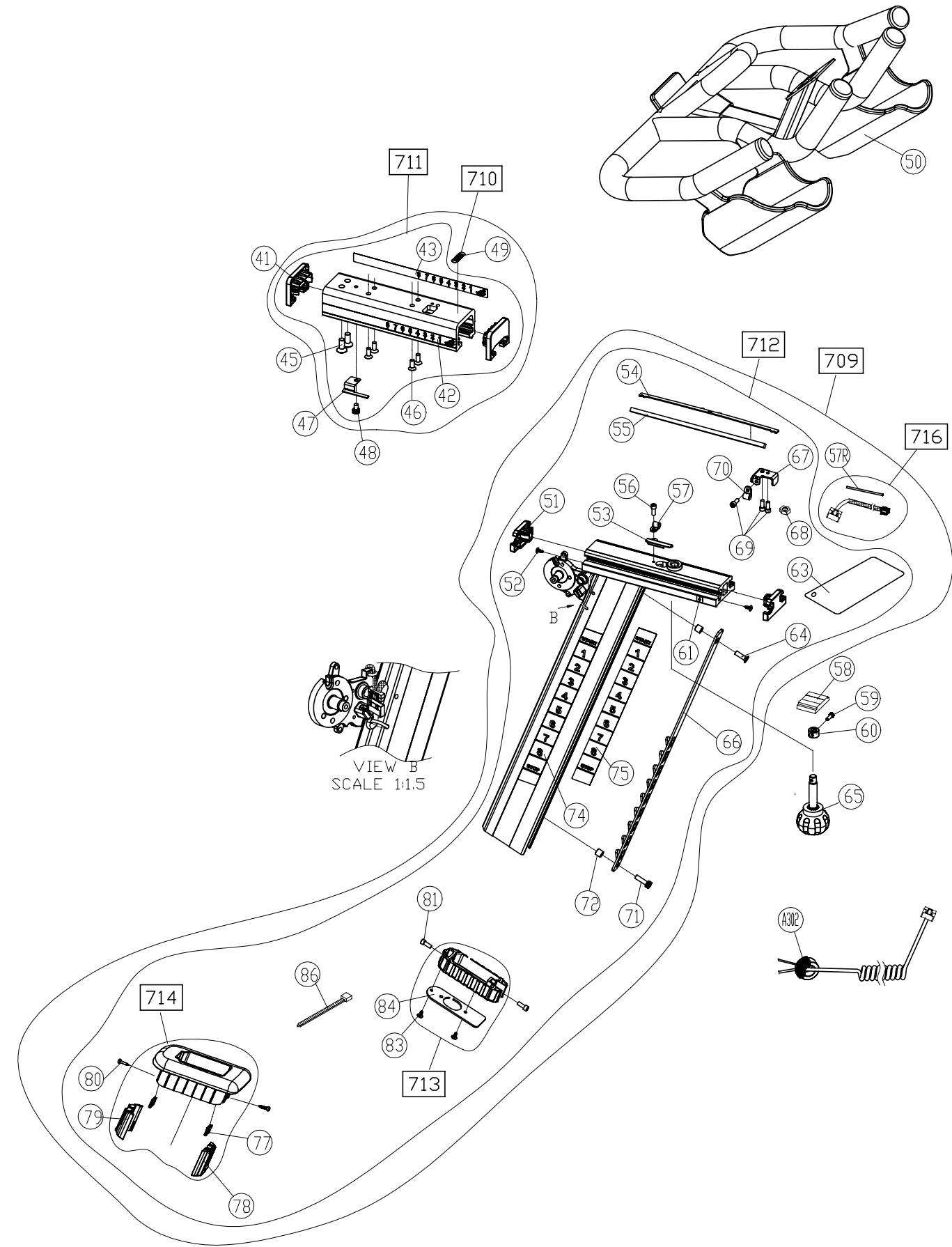
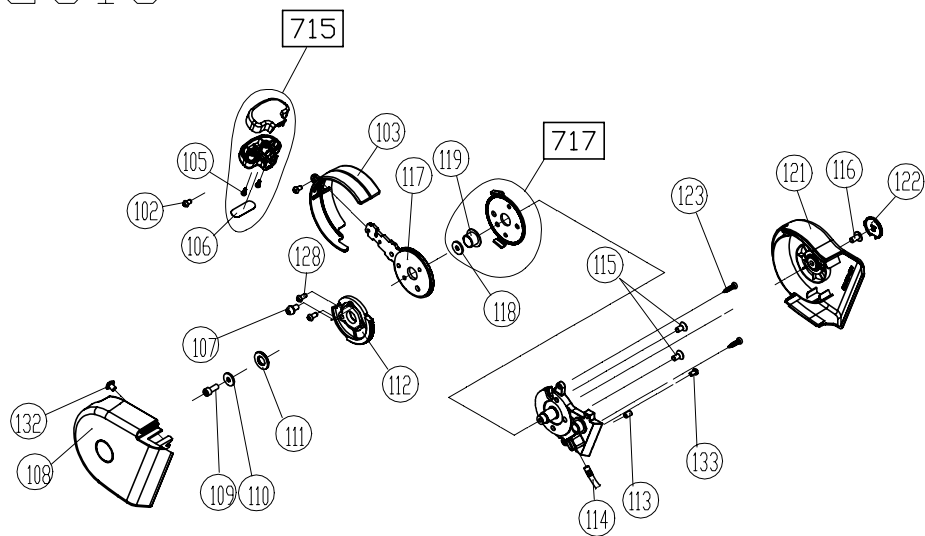


CHANGE DATE	CHANGE DESCRIPTION	CHANGE NO.	NAME	SportsArt FITNESS RESTRICTED USAGE , PLEASE DON'T FORWARD TO ANYONE WHO ISN'T AUTHORIZED	DRAWN BY	UNITS	MM	SALES BLOW UP DIAGRAM	DIAGRAM NO.	CBA-F001B-A	
							QTY	1	XX	MODEL	G516/C516
							VERSION	A0			
							RATIO	1:4			

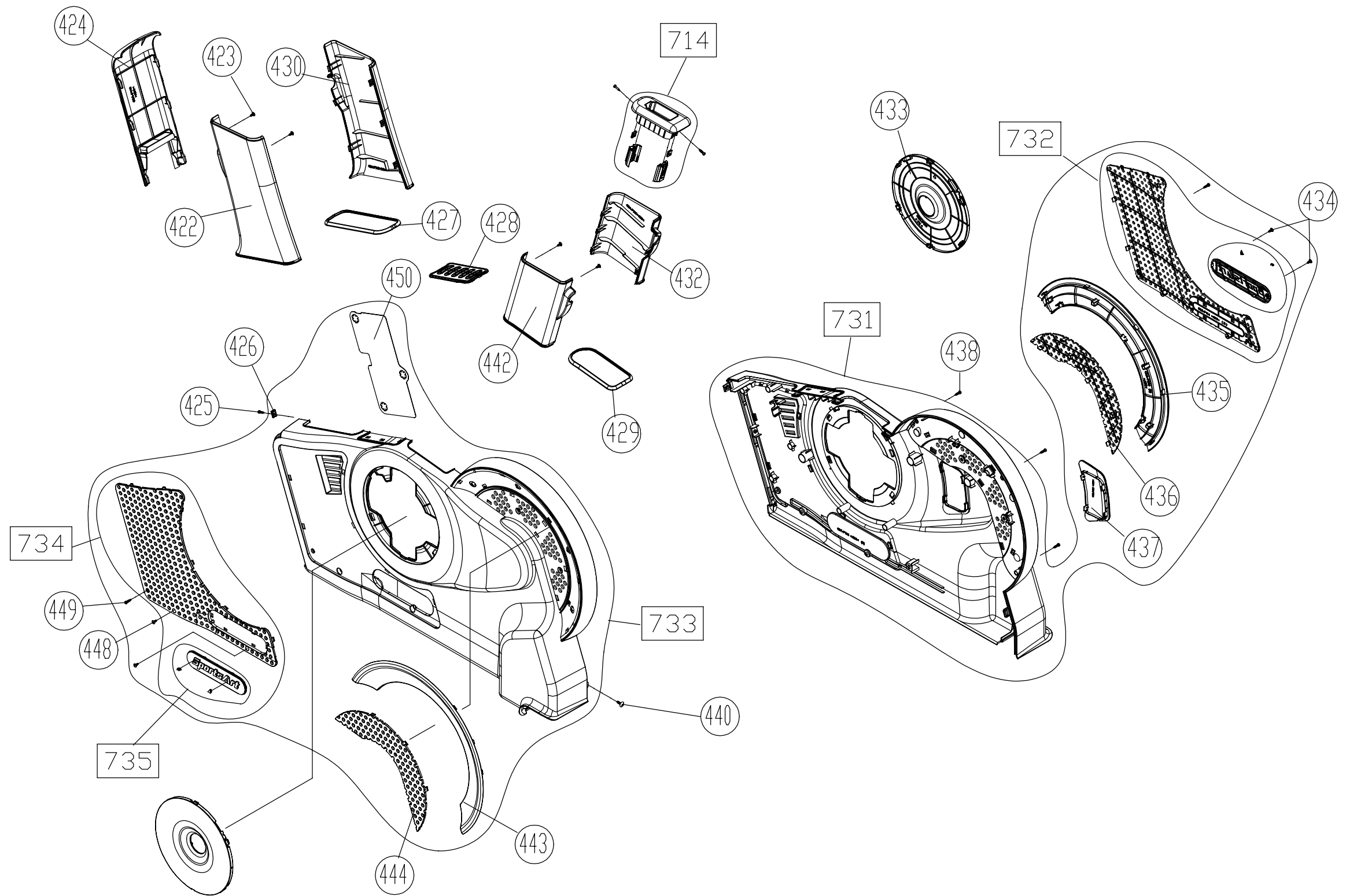
C516



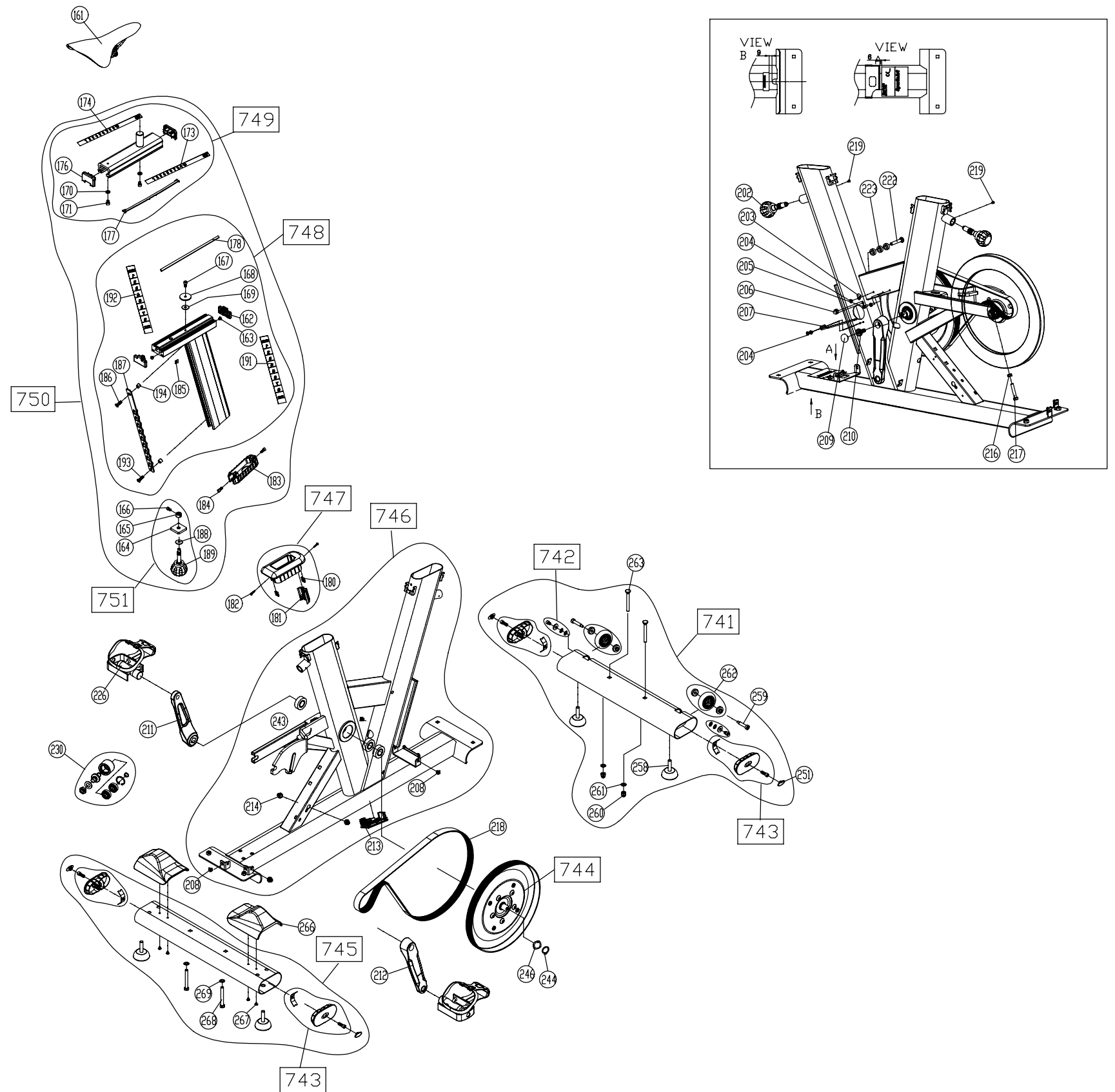
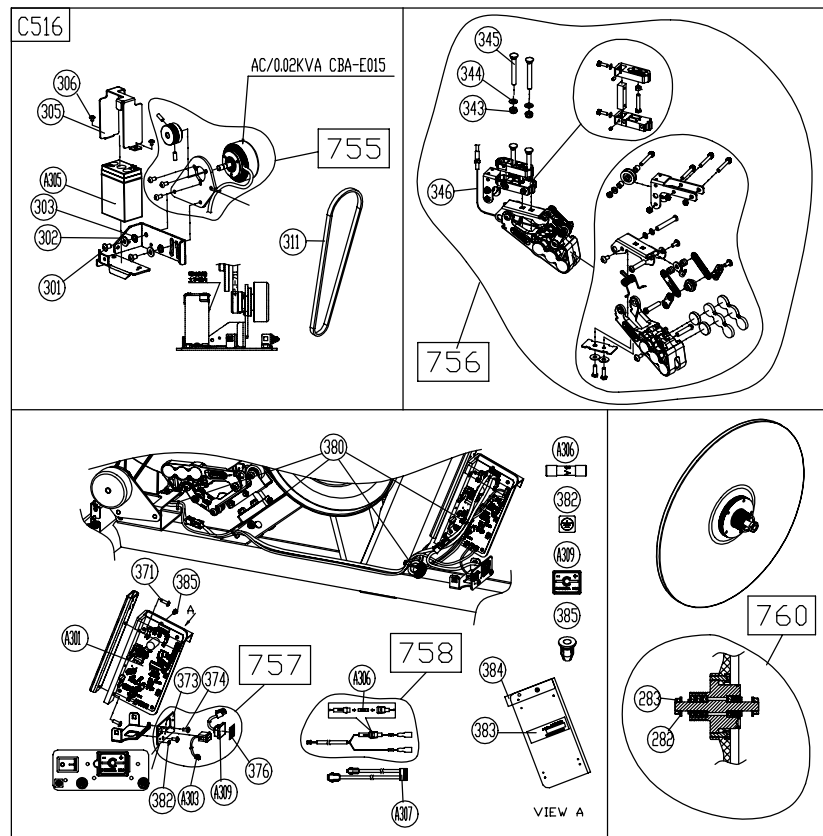
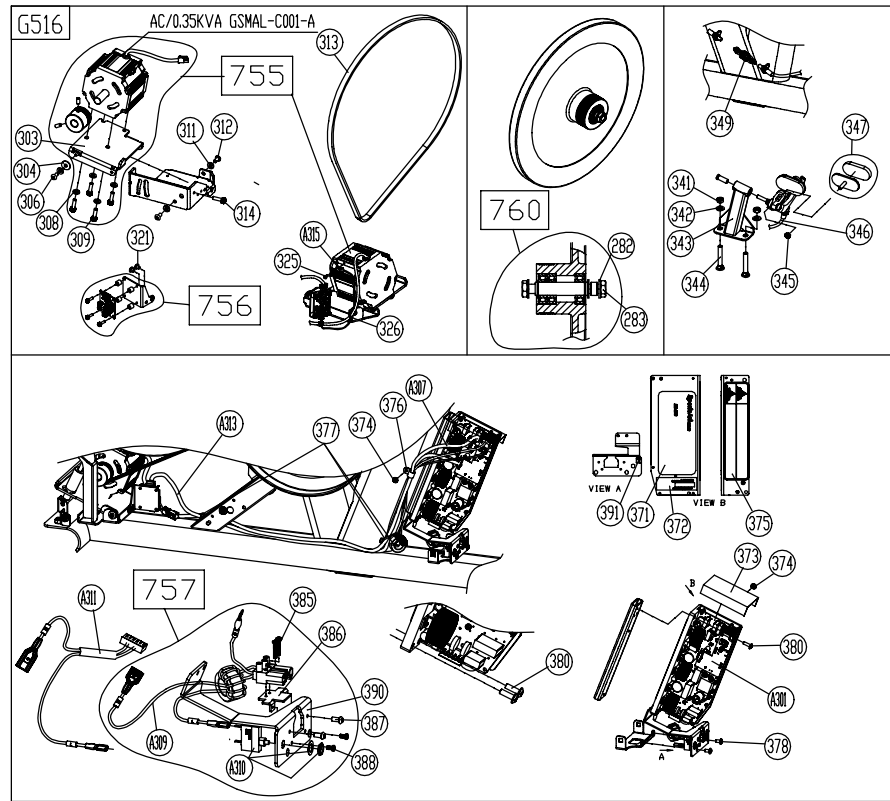
G516



CHANGE DATE	CHANGE DESCRIPTION	CHANGE NO.	NAME	 <p>RESTRICTED USAGE , PLEASE DON'T FORWARD TO ANYONE WHO ISN'T AUTHORIZED</p>	DRAWN BY	UNITS	MM	SALES BLOW UP DIAGRAM	DIAGRAM NO.	CBA-F001C-A	
					VERIFIED BY	QTY	1				G516/C516
						VERSION	A0		XX	MODEL	
						RATIO	1:8				



CHANGE DATE	CHANGE DESCRIPTION	CHANGE NO.	NAME	 <p>RESTRICTED USAGE , PLEASE DON'T FORWARD TO ANYONE WHO ISN'T AUTHORIZED</p>	DRAWN BY	UNITS	MM	SALES BLOW UP DIAGRAM	DIAGRAM NO.	CBA-F101D-A	
					VERIFIED BY	QTY	1				G516/C516
						VERSION	A0		XX	MODEL	
						RATIO	1:10				



CHANGE DATE	CHANGE DESCRIPTION	CHANGE NO.	NAME	<p align="center">SportsArt FITNESS</p> <p align="center">RESTRICTED USAGE , PLEASE DON'T FORWARD TO ANYONE WHO ISN'T AUTHORIZED</p>	DRAWN BY	UNITS	MM	SALES BLOW UP DIAGRAM	DIAGRAM NO.	CBA-F101E-A	
					VERIFIED BY	QTY	1				
						VERSION	A0		XX	MODEL	
						RATIO	1:15				