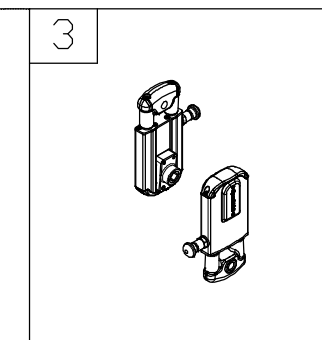
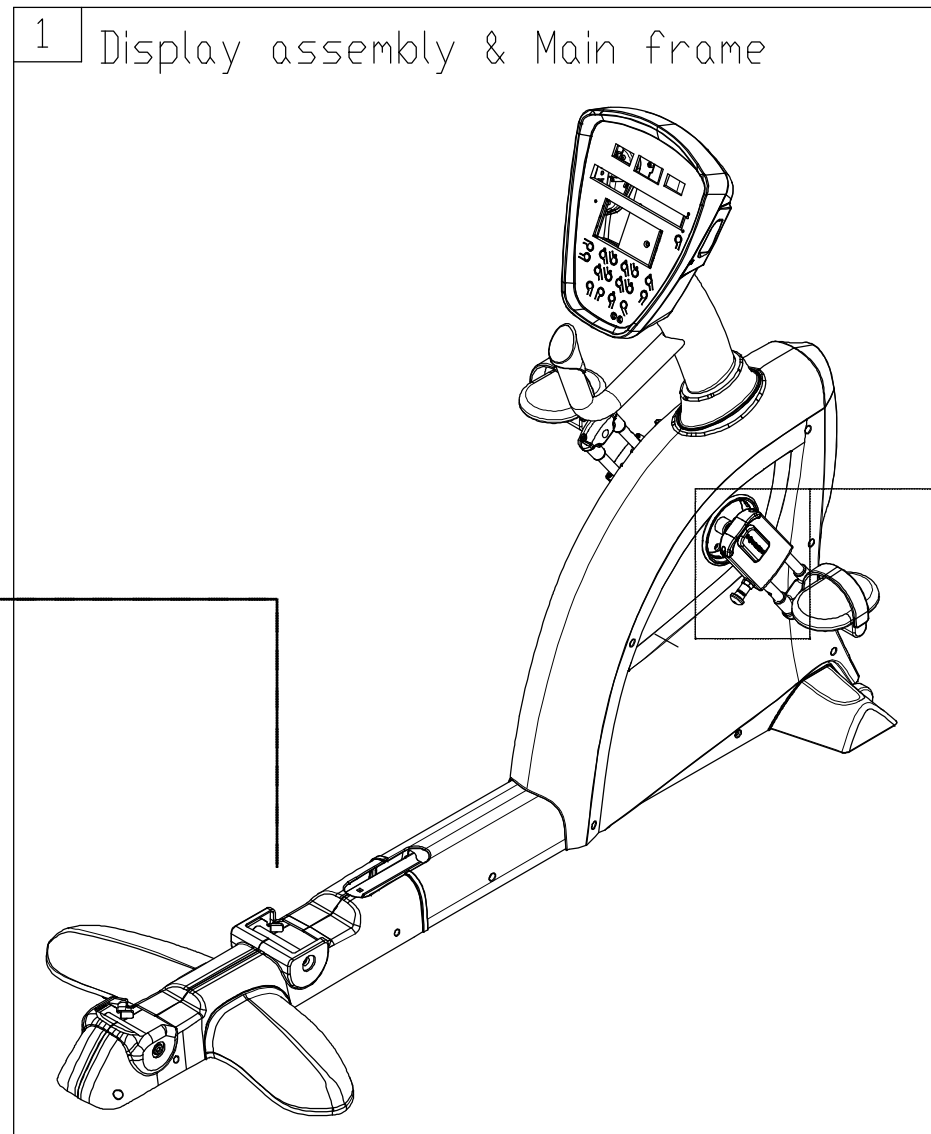
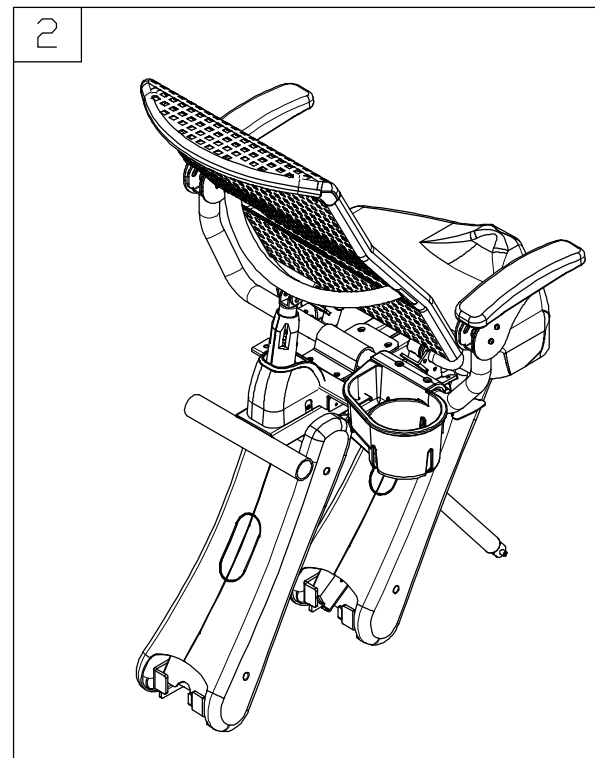
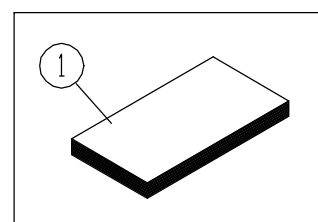


No.	Diagram	Tool Needed
1	CAM-F101B	
2	CAM-F101C	
3	CAM-F101D	

Seat carriage assy.

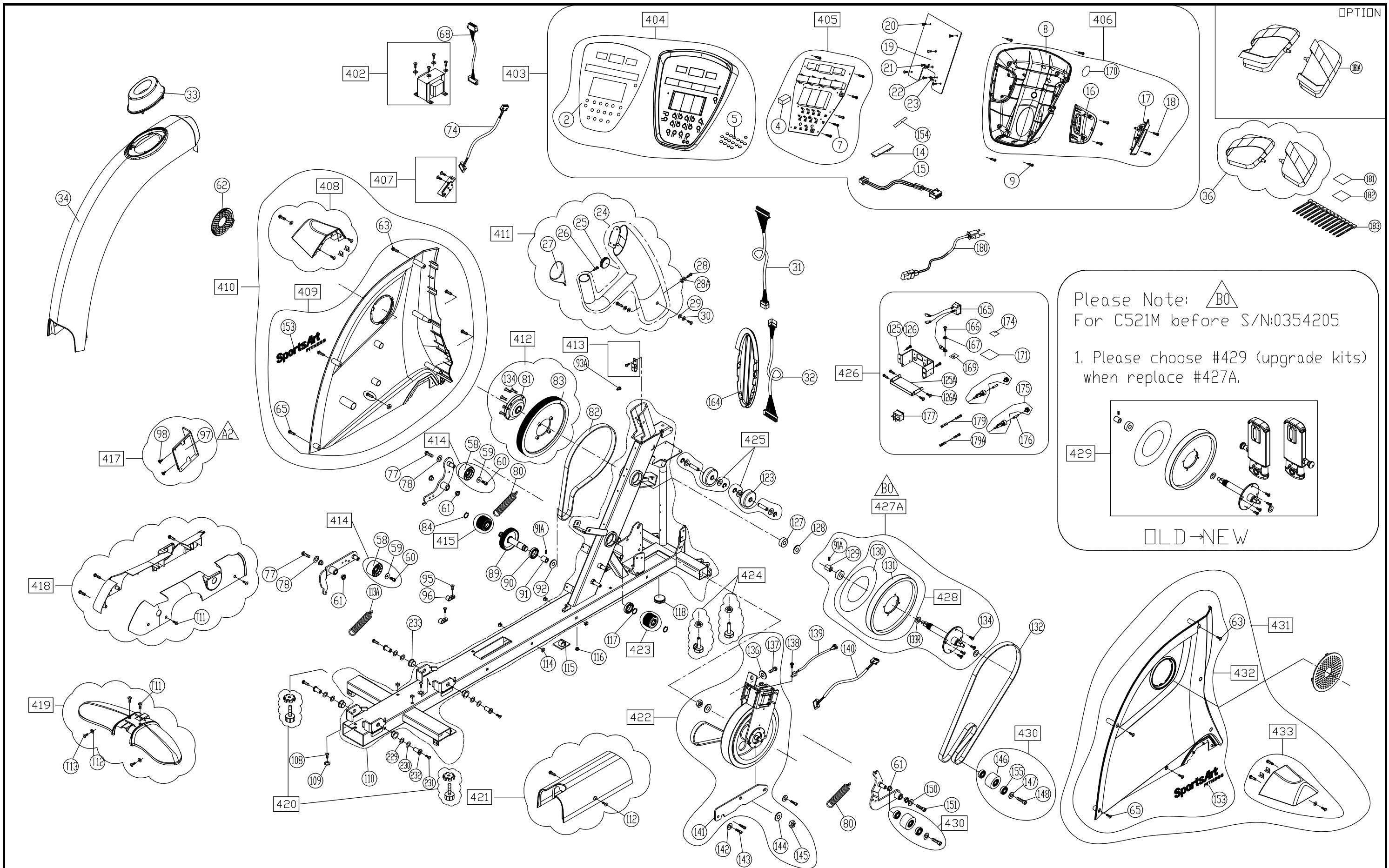



Adjustable crank assy.

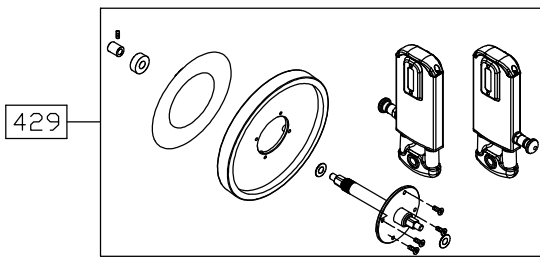


Owner's manual

CHANGE DATE	CHANGE DESCRIPTION	CHANGE NO.	NAME	 RESTRICTED USAGE , PLEASE DON'T FORWARD TO ANYONE WHO ISN'T AUTHORIZED	DRAWN BY	UNITS	MM	SALES BLOW UP DIAGRAM	DIAGRAM NO.	CAM-F101A-A	
2012.12.17	 新增英文圖示說明		潘衍耀		VERIFIED BY	QTY	1				C521M
						VERSION	A1	XX		MODEL	
						RATIO	1:12				



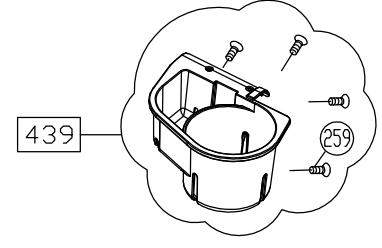
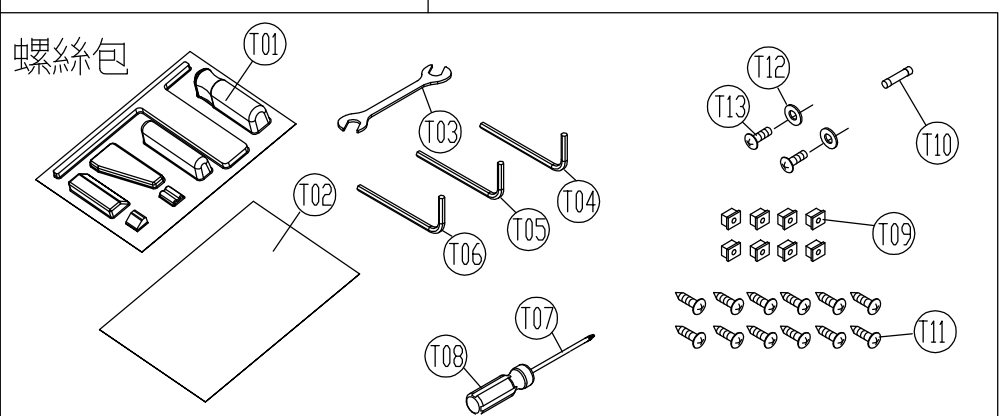
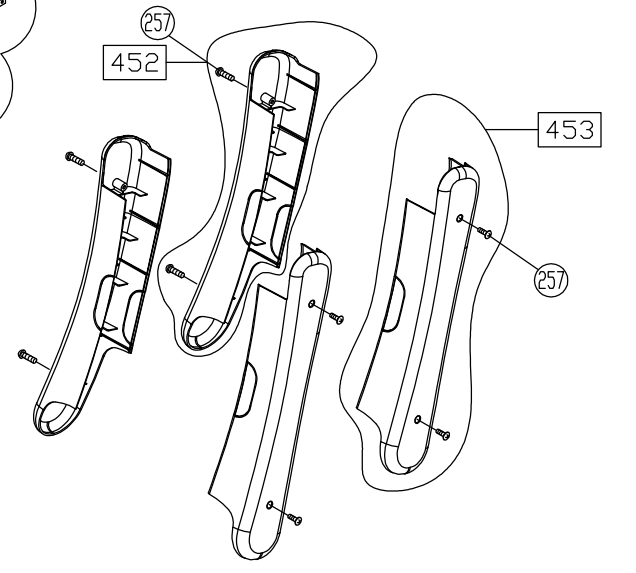
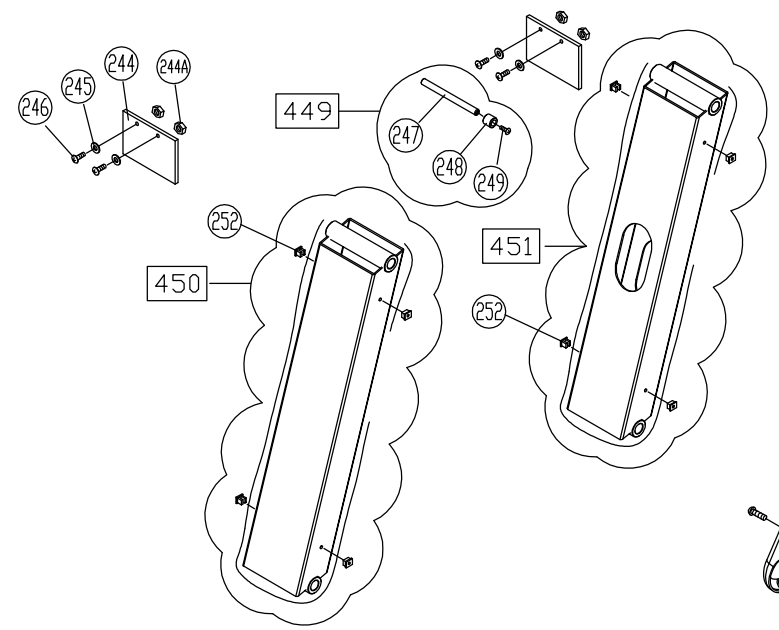
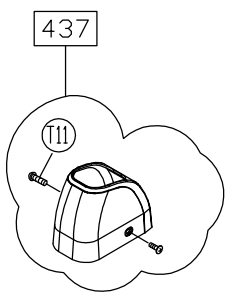
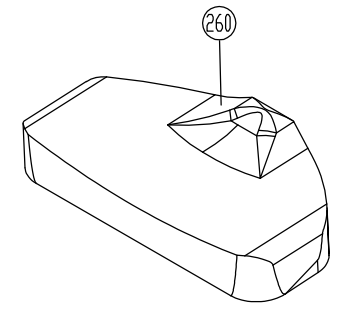
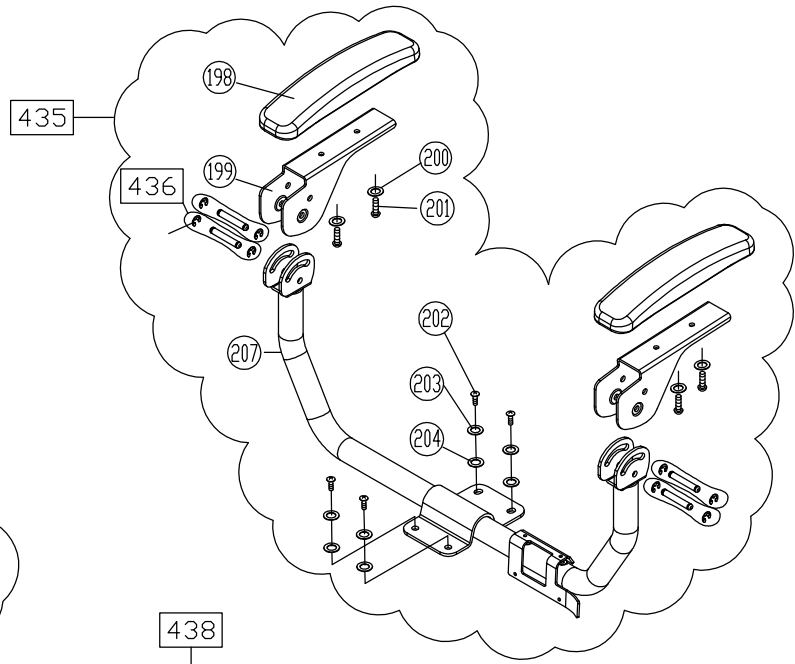
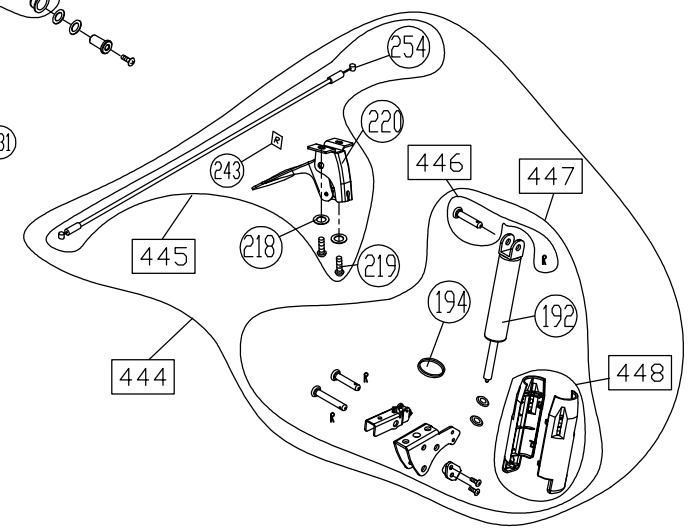
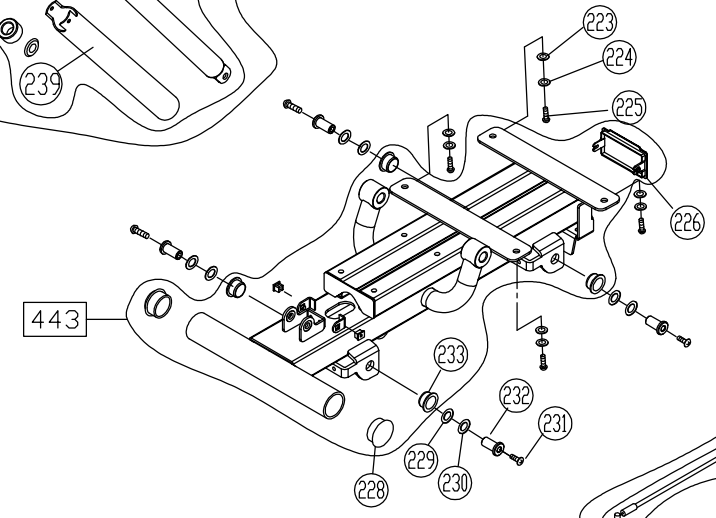
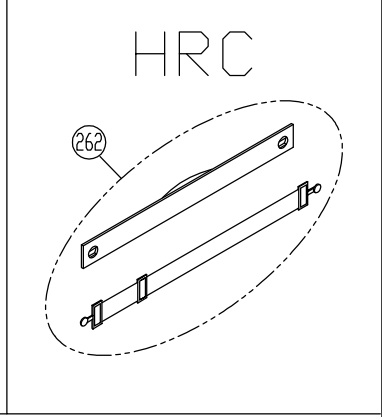
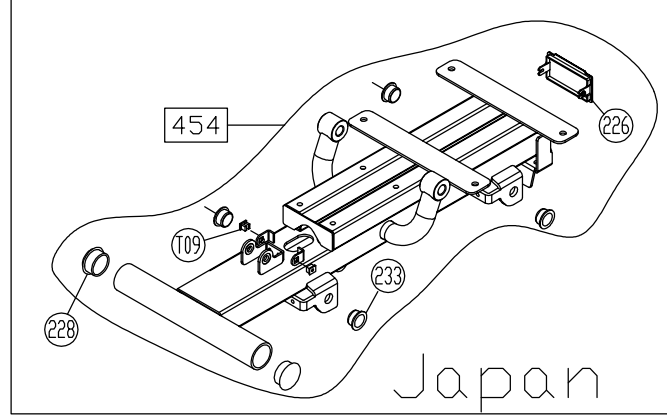
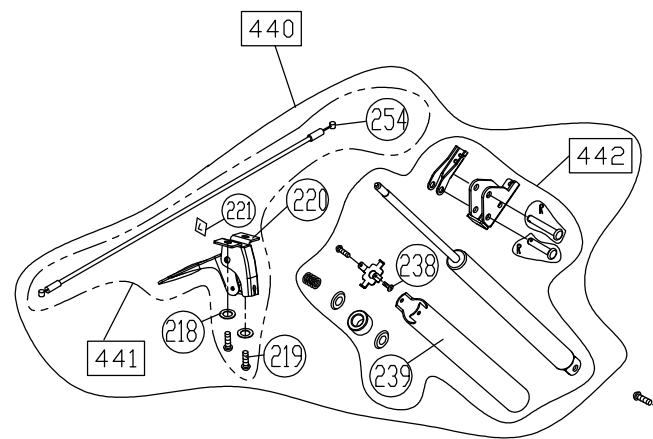
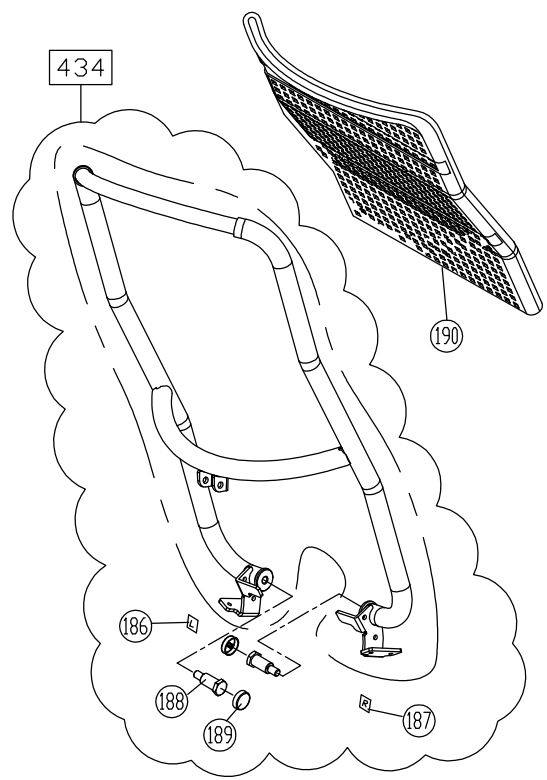
Please Note: 
 For C521M before S/N:0354205
 1. Please choose #429 (upgrade kits) when replace #427A.



OLD-NEW

Display assembly & Main frame

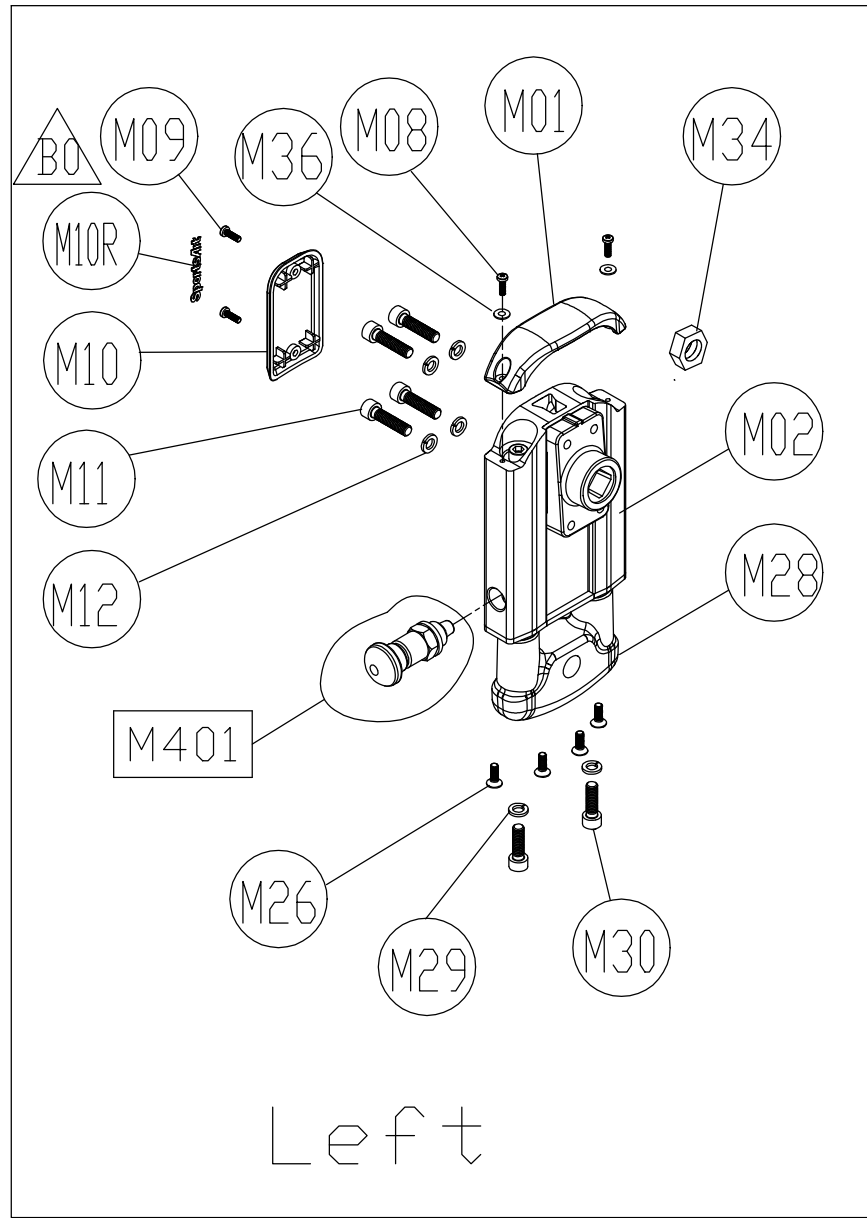
CHANGE DATE	CHANGE DESCRIPTION	CHANGE NO.	NAME	 RESTRICTED USAGE , PLEASE DON'T FORWARD TO ANYONE WHO ISN'T AUTHORIZED	DRAWN BY	UNITS	MM	SALES BLOW UP DIAGRAM	DIAGRAM NO.	CAM-F101B-B C521M		
2012.01.09	 增加(22) (23) 零件		陳建智			QTY	1					
2013.01.24	 組件 417 增加件號 (97)		潘衍耀			VERSION	B0		XX			
2016.12.20	 修改 427=427A, 新增 (133) (412), 改不單寄 (133)	03-20160109M	尤淑芬		VERIFIED BY	RATIO	1:12					



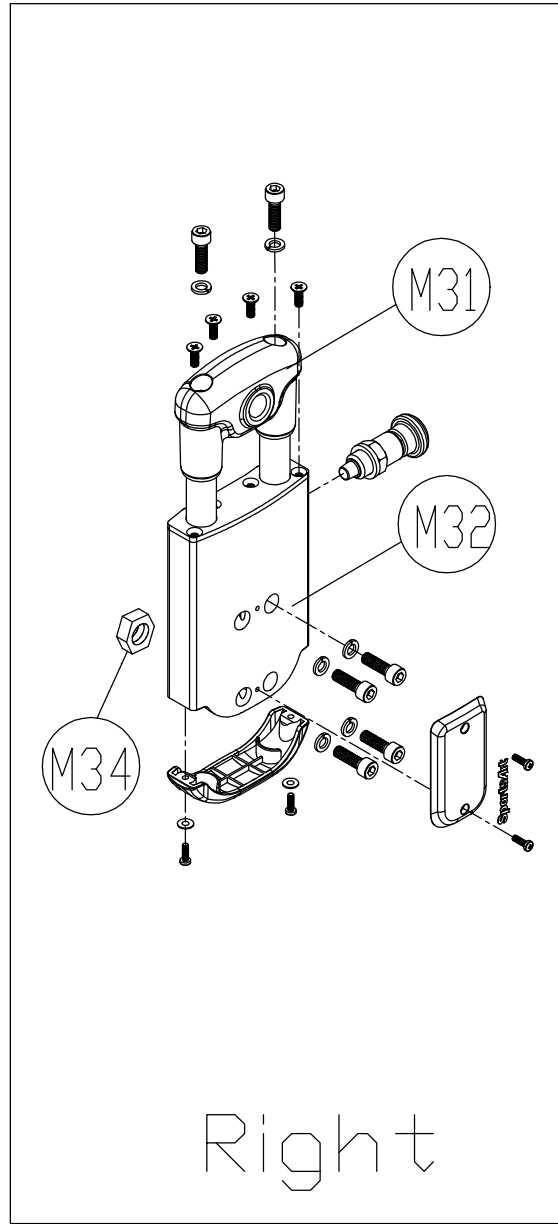
CHANGE DATE	CHANGE DESCRIPTION	CHANGE NO.	NAME	 RESTRICTED USAGE , PLEASE DON'T FORWARD TO ANYONE WHO ISN'T AUTHORIZED	DRAWN BY	UNITS	MM	SALES BLOW UP DIAGRAM	DIAGRAM NO.	CAM-F101C-A	
					VERIFIED BY	QTY	1				C521M
						VERSION	A0	XX		MODEL	
						RATIO	1:10				

C521M/ standard
 other applicable models/ option $\triangle A2$

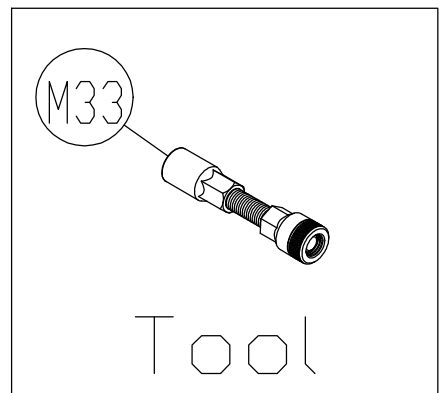
M405



M402



M403



CHANGE DATE	CHANGE DESCRIPTION	CHANGE NO.	NAME	 RESTRICTED USAGE , PLEASE DON'T FORWARD TO ANYONE WHO ISN'T AUTHORIZED	DRAWN BY	UNITS	MM	SALES BLOW UP DIAGRAM	DIAGRAM NO.	CAM-F101D-B	
2012.01.09	$\triangle A1$ 取消 M404 件號		許書凱		VERIFIED BY	QTY	1	XX		MODEL	C521M C521RU/C532RU C535RU/C545RU
2016.10.14	$\triangle A2$ 加註區分C521M為標配, 其他機種為選配		林士文		RATIO	B0					
2016.12.20	$\triangle B0$ 新增 M10R	03-20151206M	尤淑芬		1:4						

Adjustable crank assy.