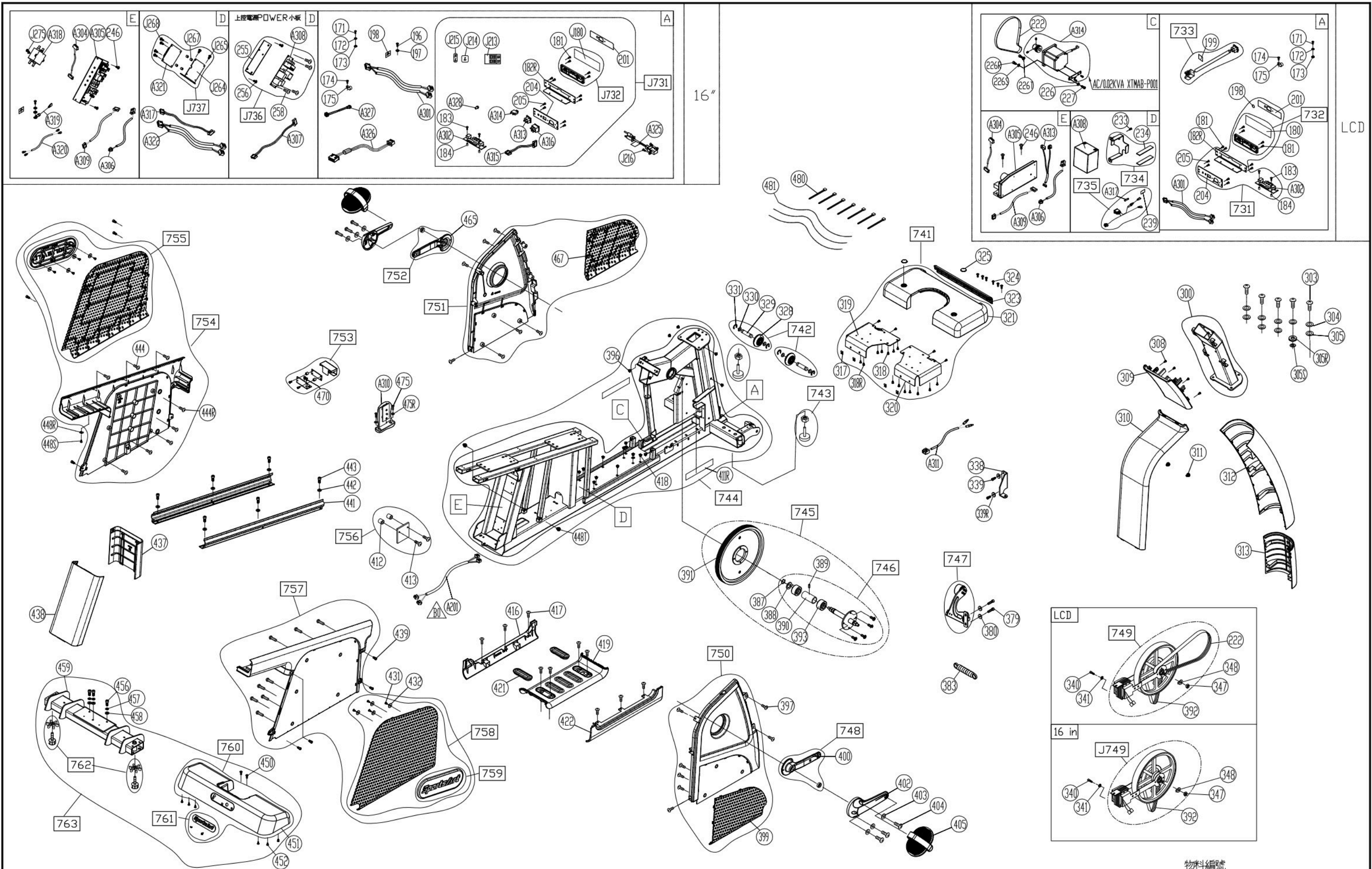


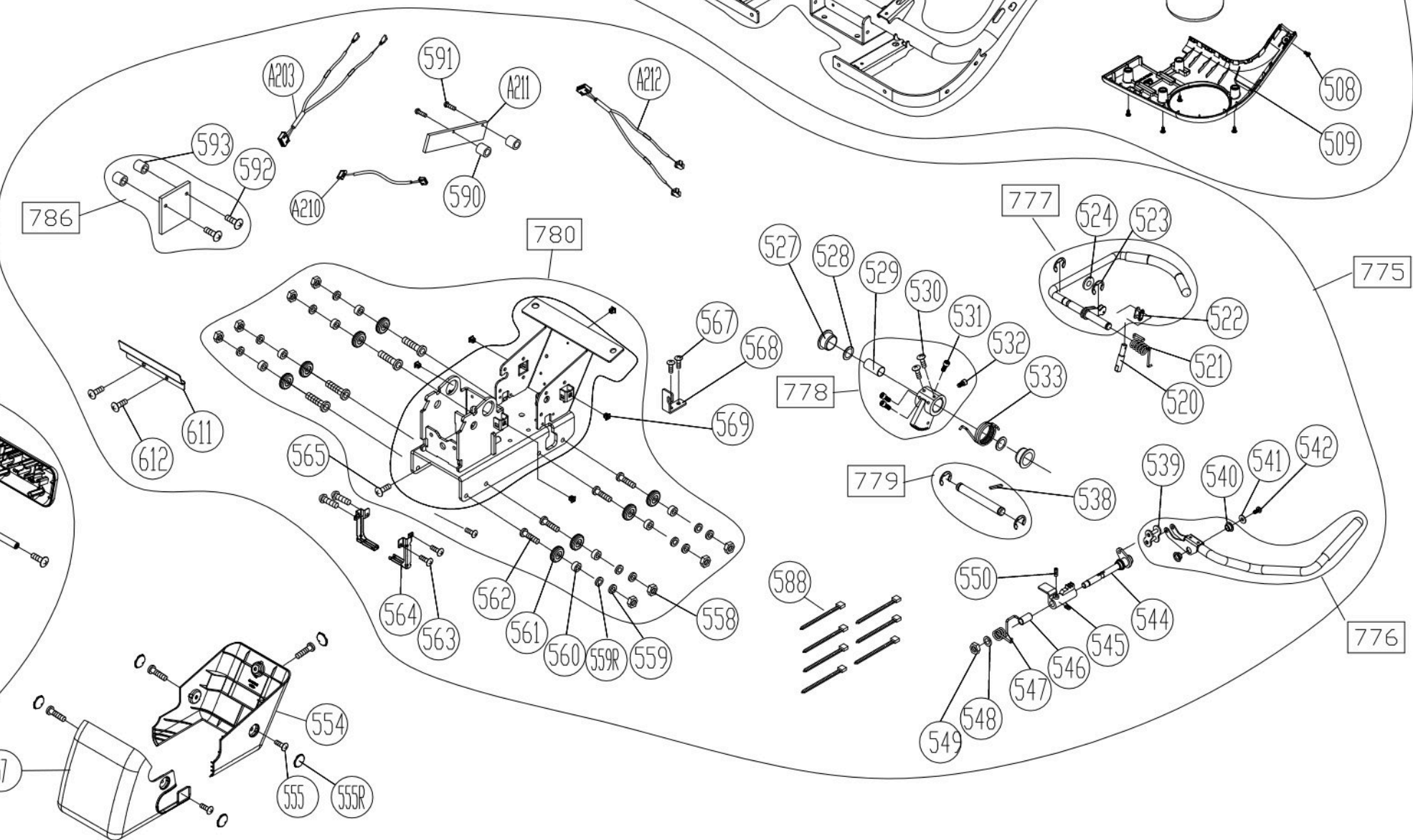
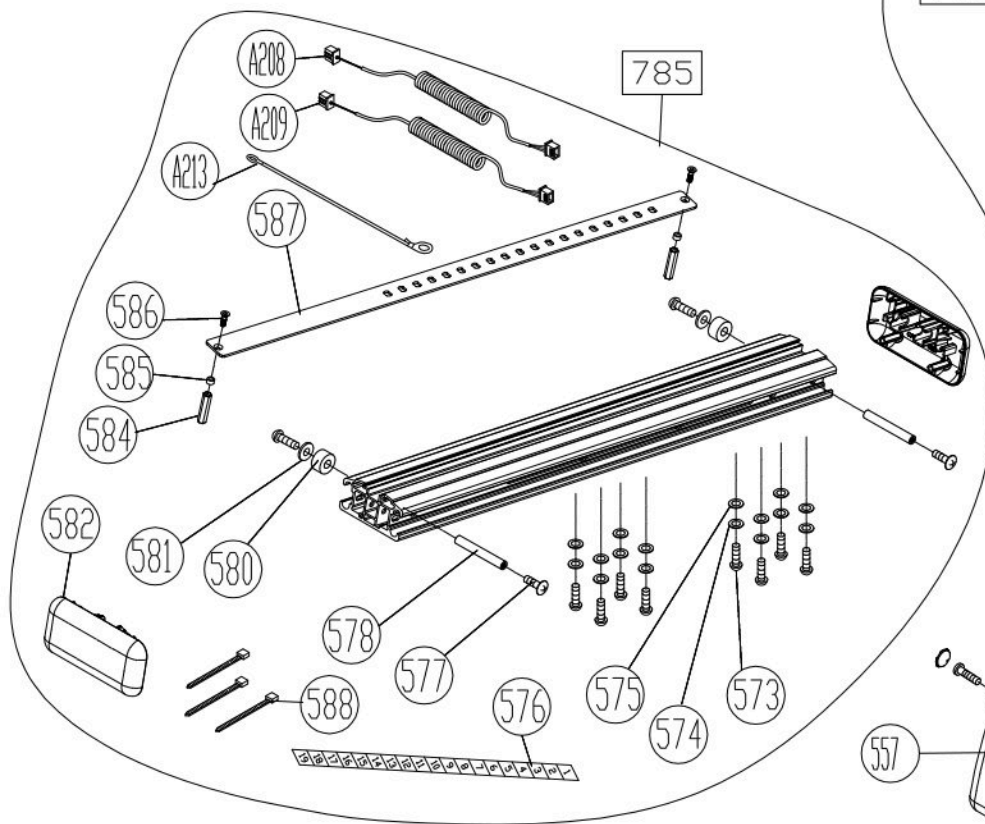
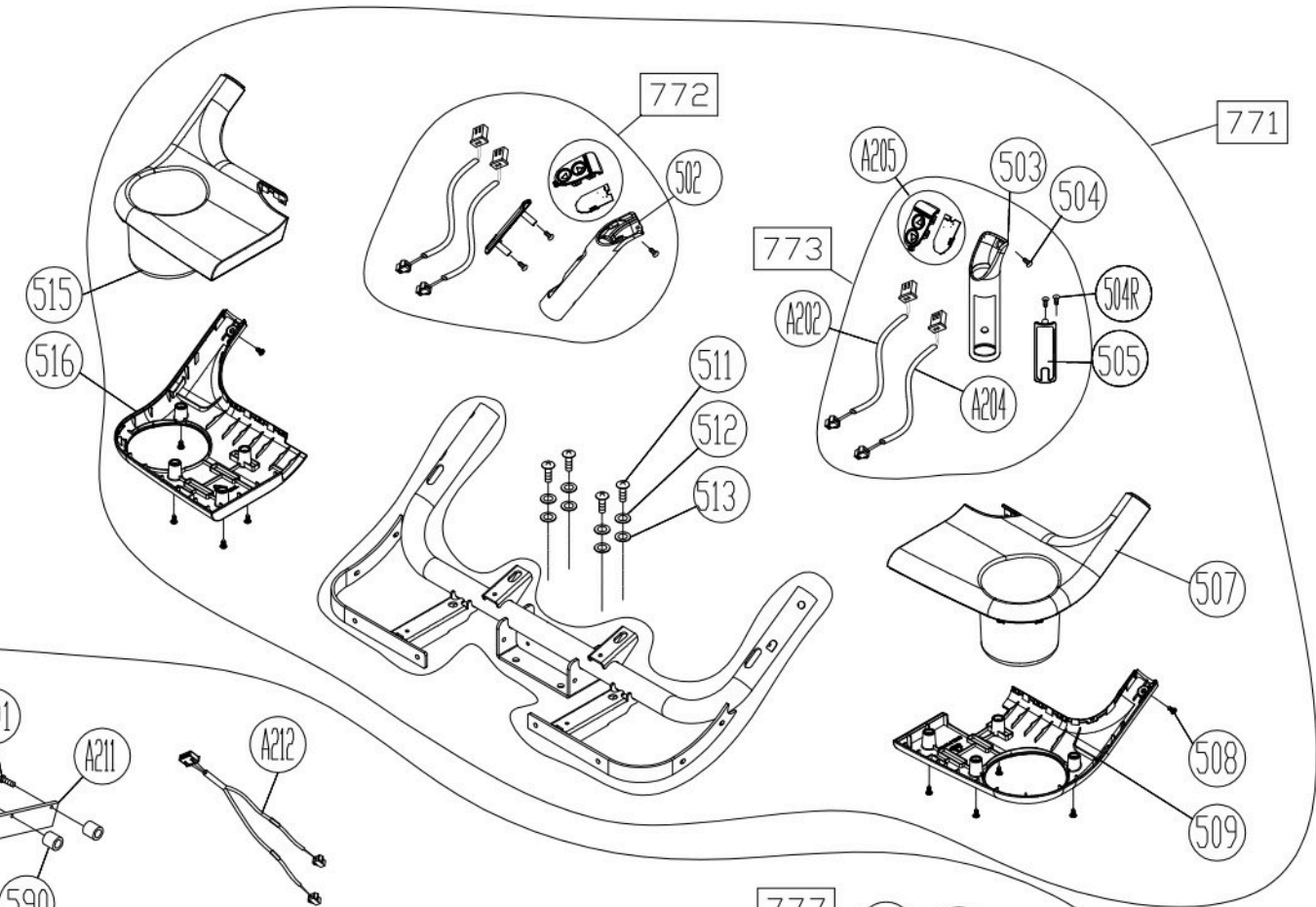
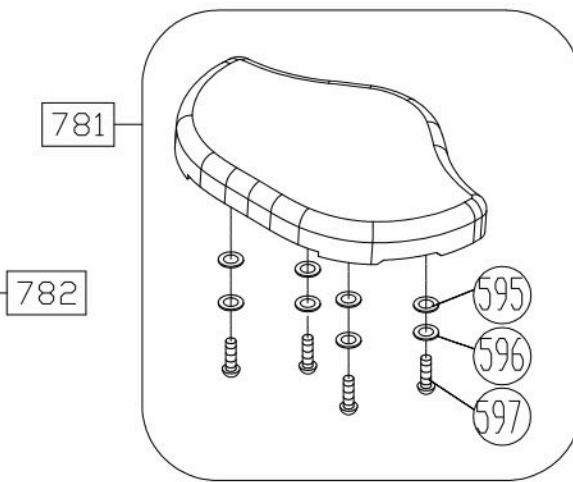
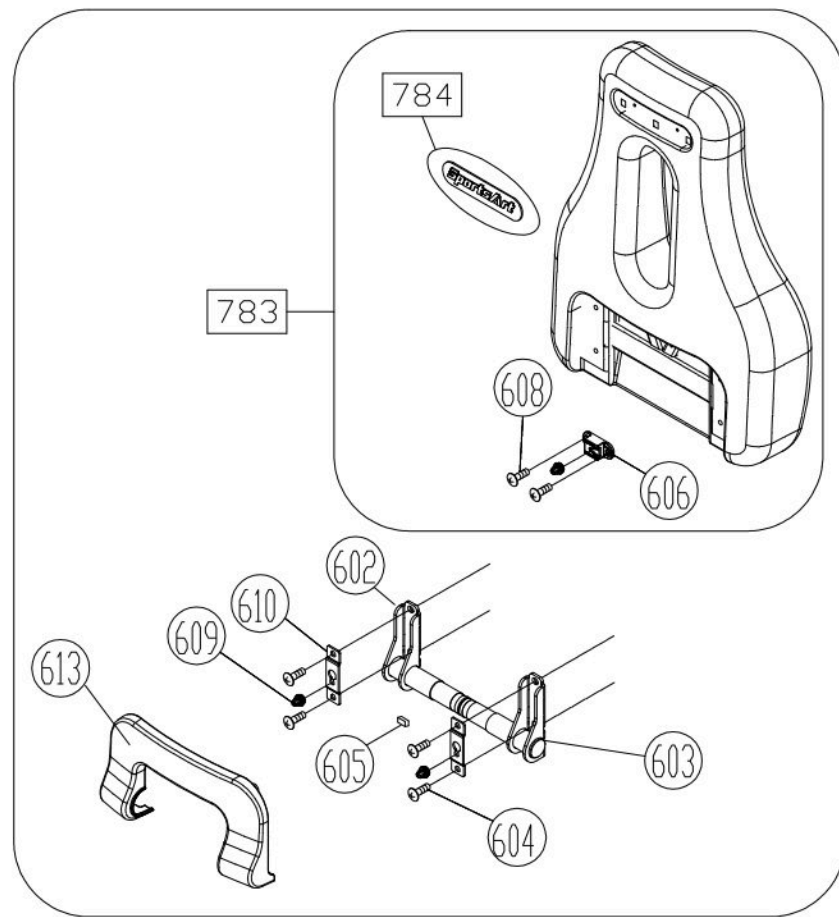
CHANGE DATE	CHANGE DESCRIPTION	CHANGE NO.	NAME	 RESTRICTED USAGE , PLEASE DON'T FORWARD TO ANYONE WHO ISN'T AUTHORIZED	DRAWN BY	UNITS	MM	SALES BLOW UP DIAGRAM	DIAGRAM NO.	CAX-F121B-A	
					VERIFIED BY	QTY	1				C576R 16"
						VERSION	A0	XX		MODEL	
						RATIO	1:10				



CHANGE DATE	CHANGE DESCRIPTION	CHANGE NO.	NAME	SALES BLOW UP DIAGRAM	UNITS	MM	DIAGRAM NO.	MODEL
20190219	方便產線組裝將修改 (A20), 取消 (A20b)	03-20190201T	葉怡萱	XX	QTY	1		CAX-F101C-B
					VERSION	B0		C576R
					RATIO	1:16		


 RESTRICTED USAGE,
 PLEASE DON'T FORWARD TO ANYONE WHO ISN'T AUTHORIZED

物料編號



CHANGE DATE	CHANGE DESCRIPTION	CHANGE NO.	NAME	 RESTRICTED USAGE , PLEASE DON'T FORWARD TO ANYONE WHO ISNT AUTHORIZED	DRAWN BY	UNITS	MM	SALES BLOW UP DIAGRAM	DIAGRAM NO.	CAX-F101D-A C576R/G576R C576R 16in MODEL	
					VERIFIED BY	QTY	1	XXX			
						VERSION	A0				
						RATIO	1:10				