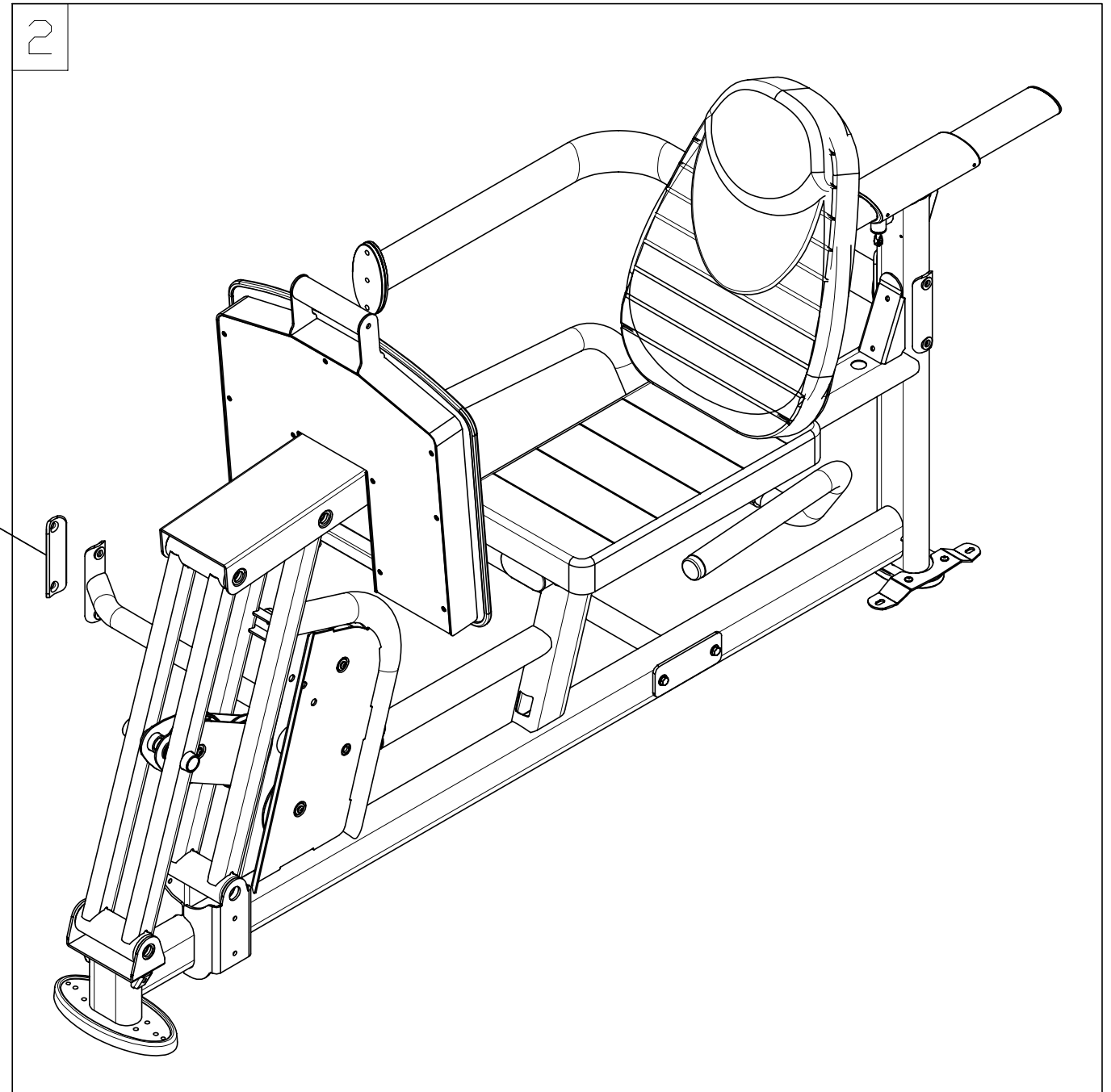
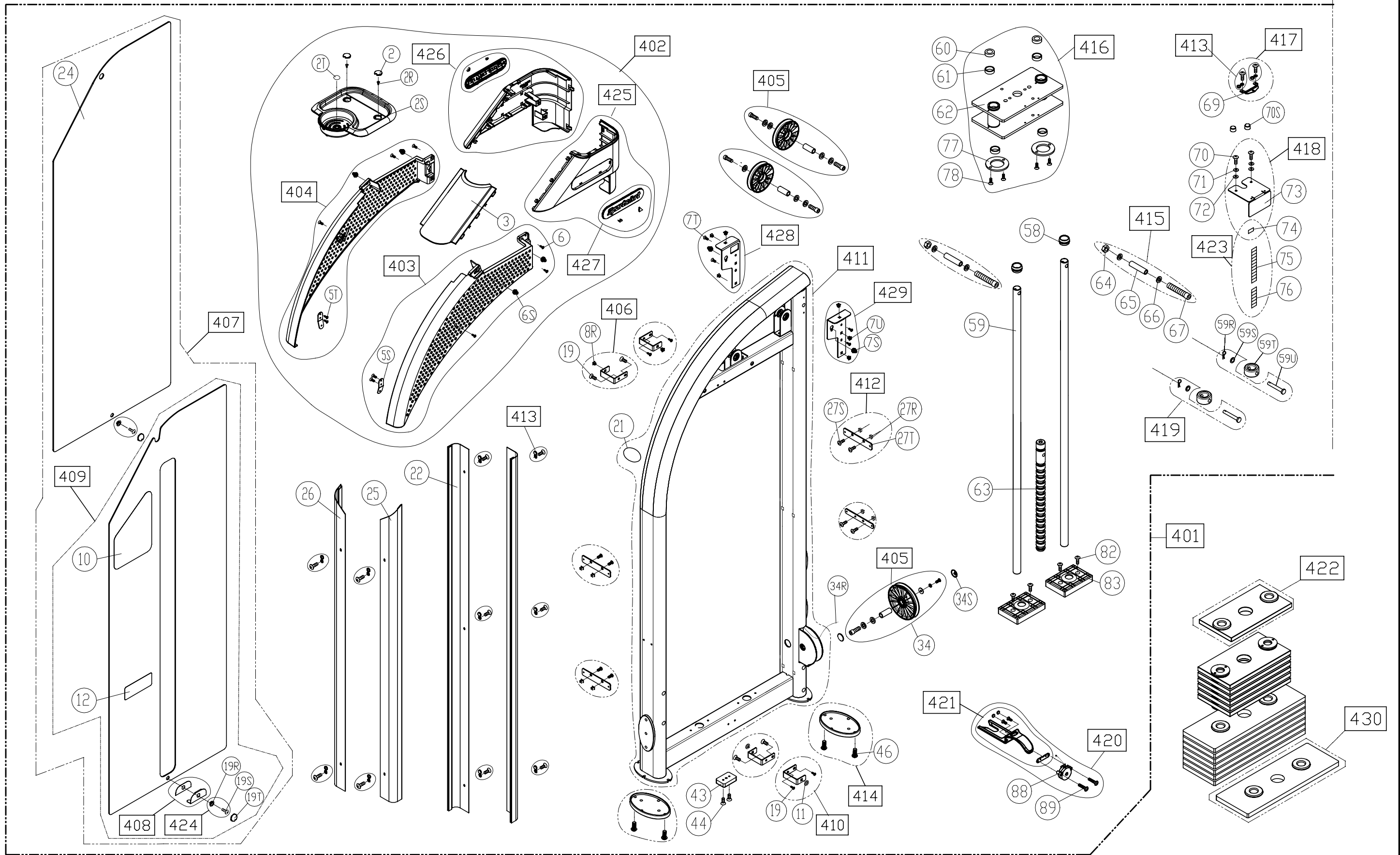


No.	Diagram	Tool Needed	Part Number	components Number
1	GDP-F101B		① ~ ⑧9	401 ~ 430
2	GDP-F101C		⑬1R ~ ⑳0	481 ~ 502



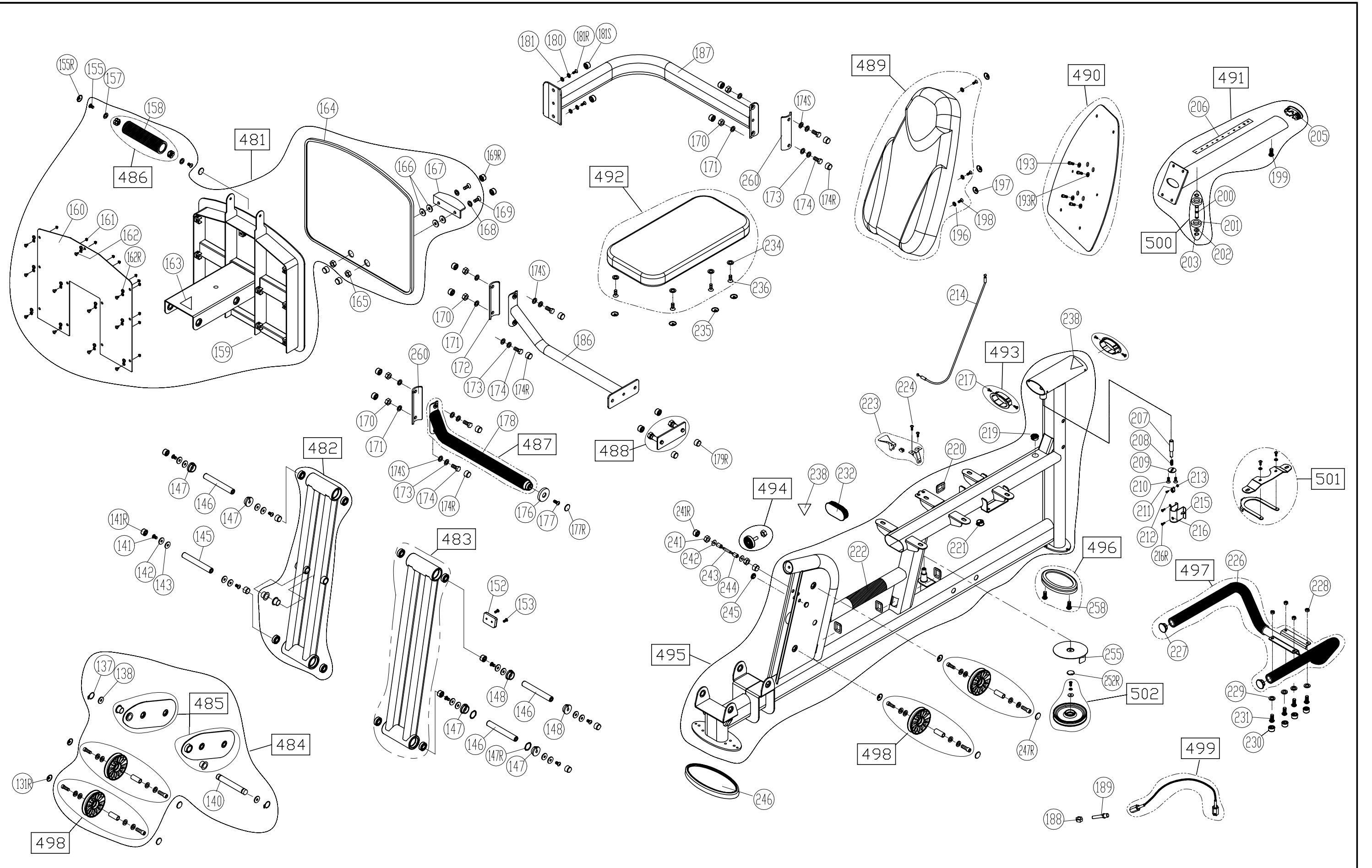
CHANGE DATE	CHANGE DESCRIPTION	CHANGE NO.	NAME	 RESTRICTED USAGE , PLEASE DON'T FORWARD TO ANYONE WHO ISN'T AUTHORIZED	DRAWN BY	UNITS	MM	SALES BLOW UP DIAGRAM	DIAGRAM NO.	GDP-F101A-A	
	△A1				VERIFIED BY	QTY	1				DF-301
						VERSION	A0		XX	MODEL	
						RATIO	1:10				



CHANGE DATE	CHANGE DESCRIPTION	CHANGE NO.	NAME

SportsArt
 FITNESS
 RESTRICTED USAGE ,
 PLEASE DON'T FORWARD TO ANYONE WHO ISN'T AUTHORIZED

DRAWN BY	UNITS	MM	SALES BLOW UP DIAGRAM	DIAGRAM NO.	GDP-F101B-A
	QTY	1			DF-301
	VERSION	A0	XX	MODEL	
	RATIO	1:12			



CHANGE DATE	CHANGE DESCRIPTION	CHANGE NO.	NAME	<p align="center">SportsArt FITNESS</p> <p align="center">RESTRICTED USAGE , PLEASE DON'T FORWARD TO ANYONE WHO ISN'T AUTHORIZED</p>	DRAWN BY	UNITS	MM	SALES BLOW UP DIAGRAM	DIAGRAM NO.	GDP-F101C-A	
					VERIFIED BY	QTY	1				DF-301
						VERSION	A0		XX	MODEL	
						RATIO	1:13				