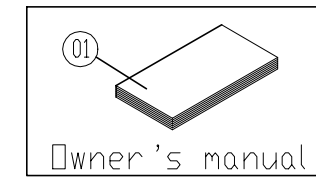
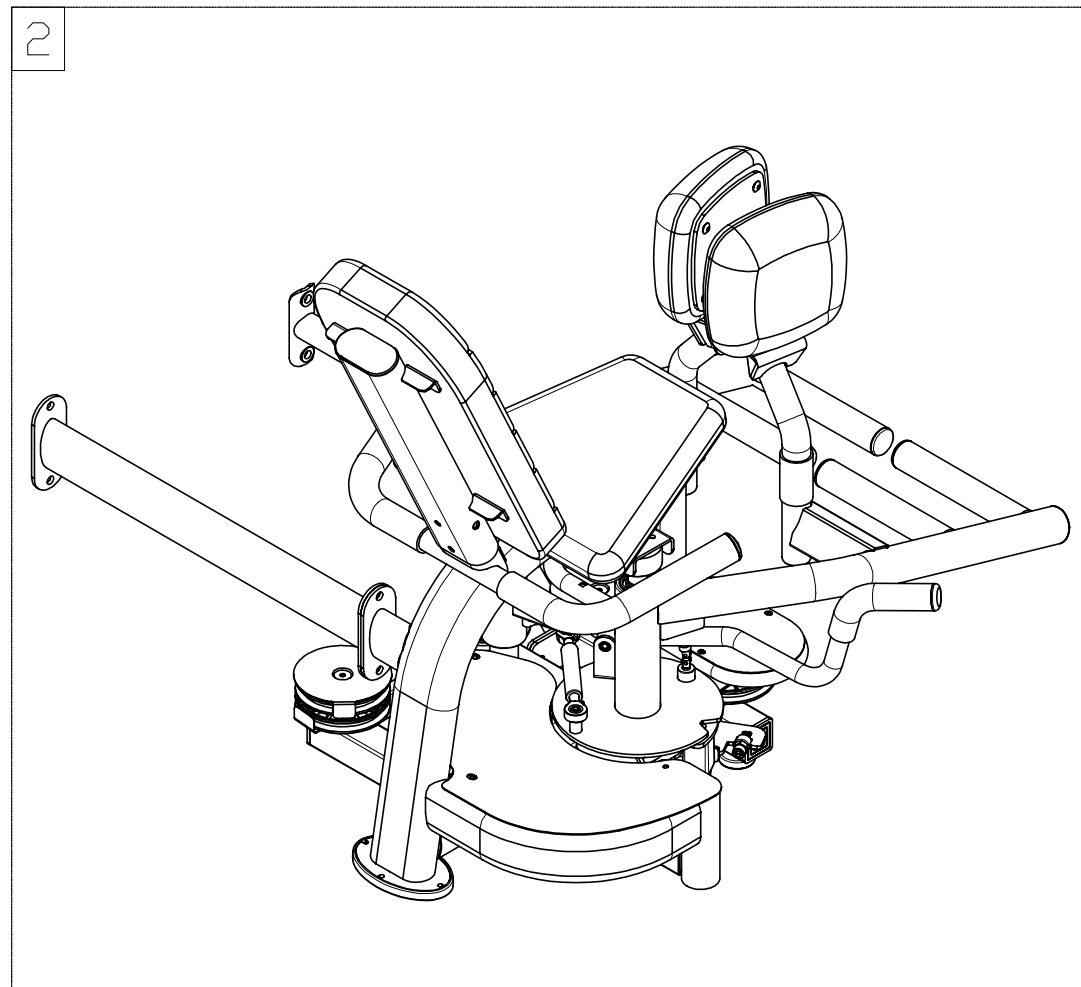
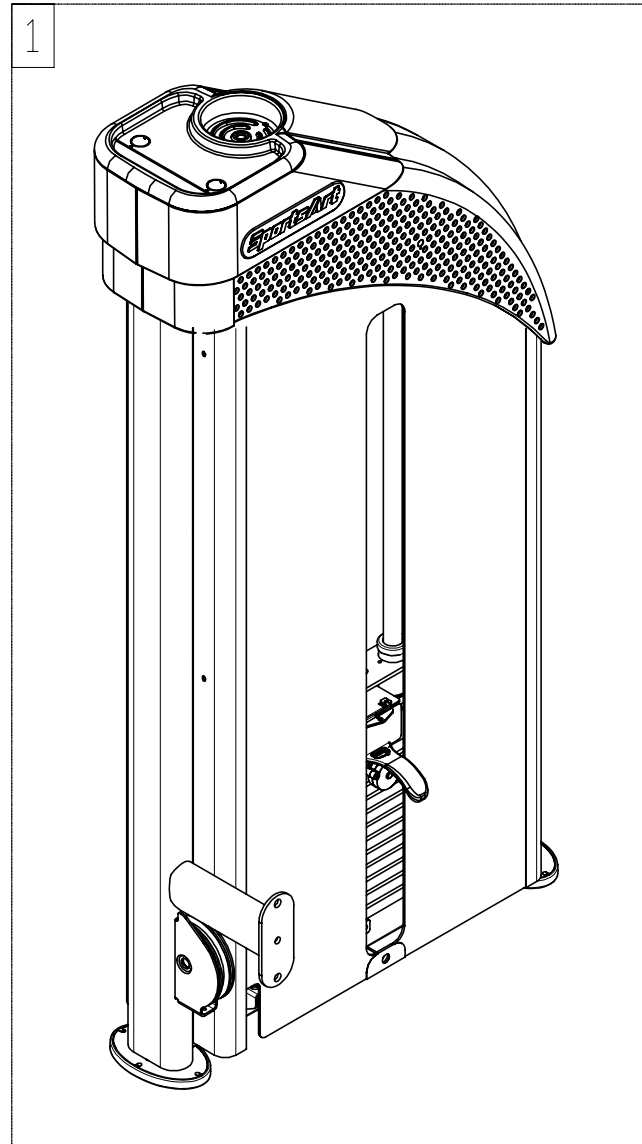
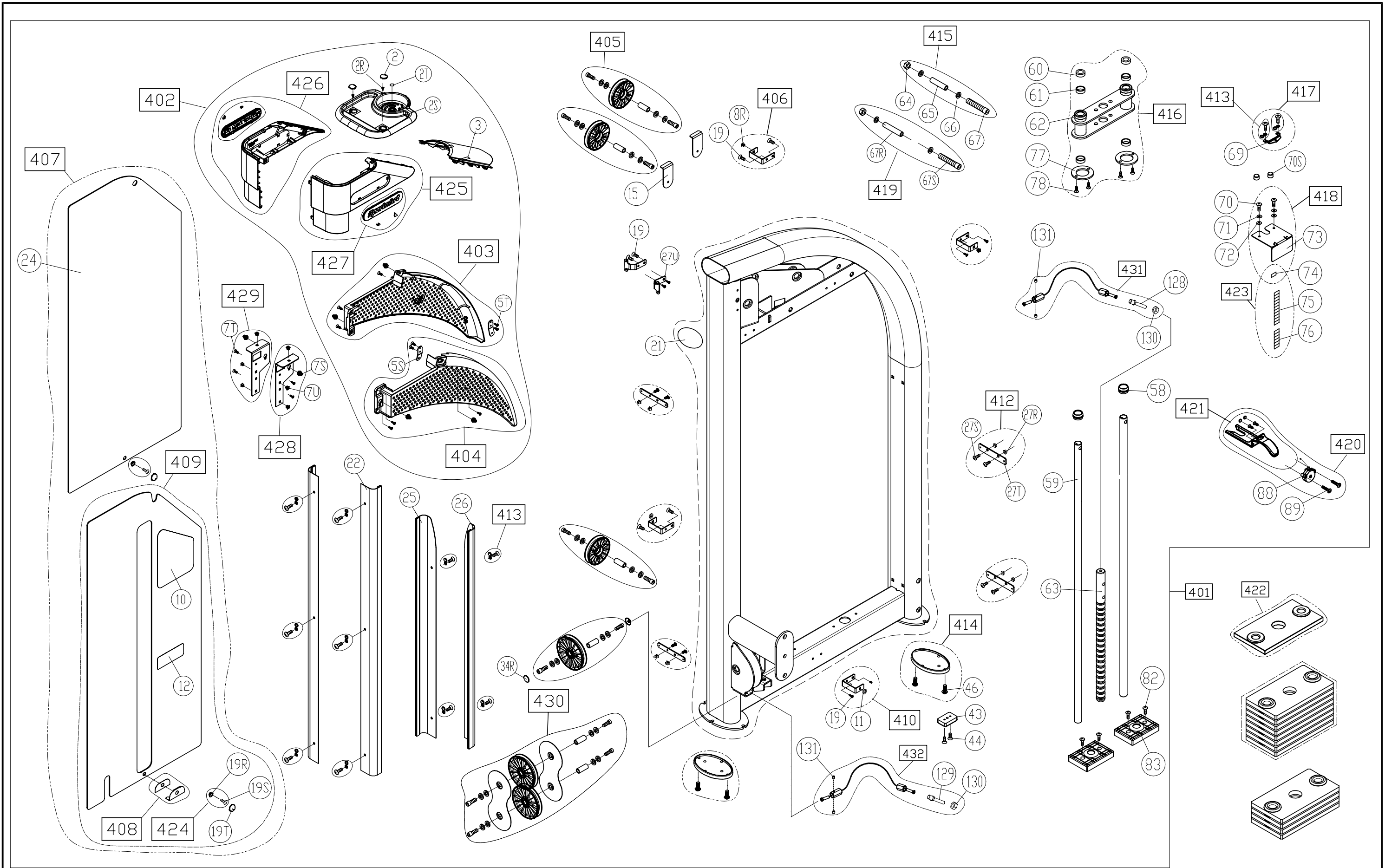


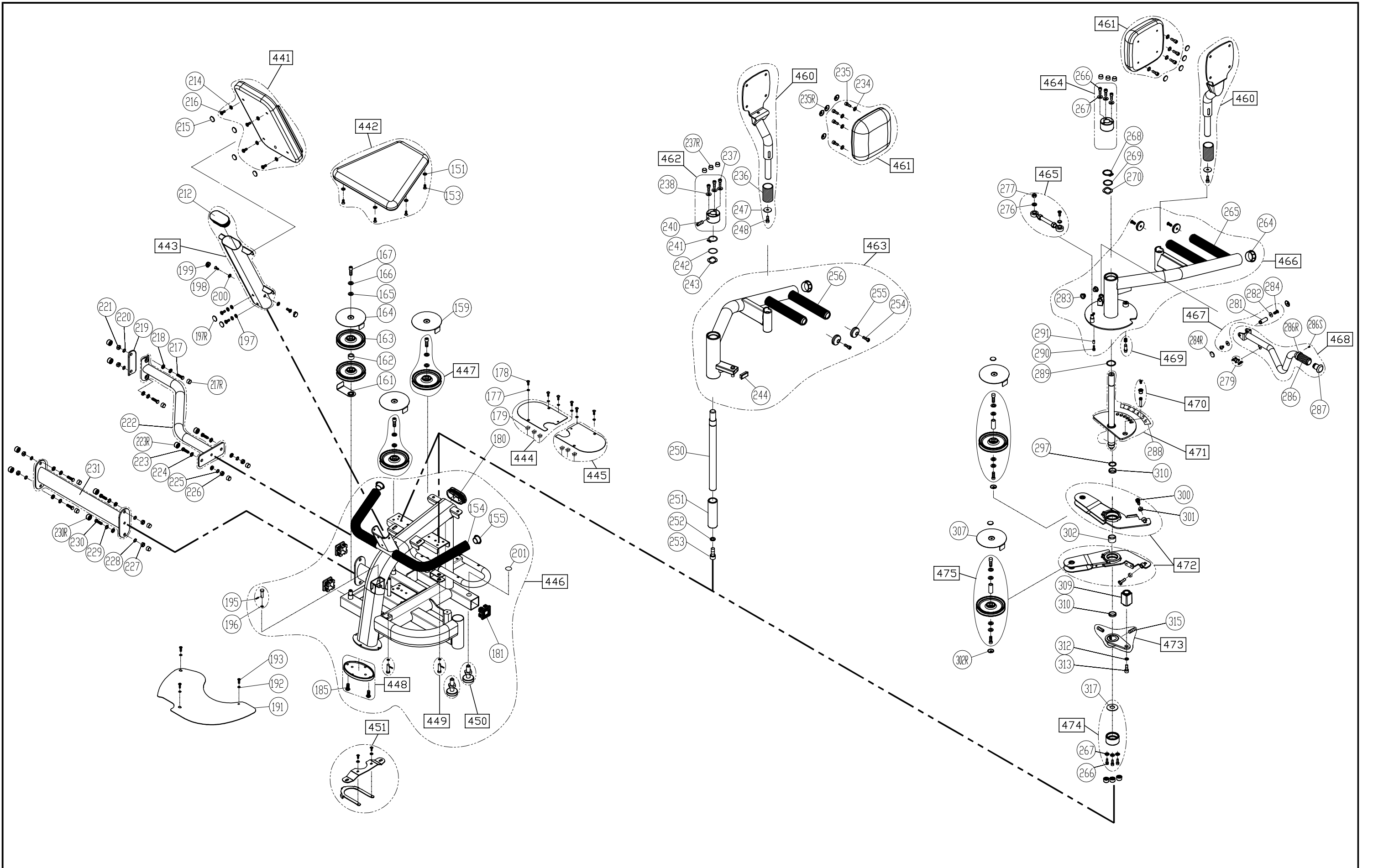
No.	Diagram	Tool Needed	Part Number	components Number
1	GDQ-F101B		① ~ ⑬①	401 ~ 432
2	GDQ-F101C		⑮① ~ ⑳①	441 ~ 475



CHANGE DATE	CHANGE DESCRIPTION	CHANGE NO.	NAME	SportsArt FITNESS RESTRICTED USAGE , PLEASE DON'T FORWARD TO ANYONE WHO ISN'T AUTHORIZED	DRAWN BY	UNITS	MM	SALES BLOW UP DIAGRAM	DIAGRAM NO.	GDQ-F101A-A	
	⚠				VERIFIED BY	QTY	1	XX		MODEL	DF-302
						VERSION	A0				
						RATIO	1:10				



CHANGE DATE	CHANGE DESCRIPTION	CHANGE NO.	NAME	 <p>RESTRICTED USAGE , PLEASE DON'T FORWARD TO ANYONE WHO ISN'T AUTHORIZED</p>	DRAWN BY	UNITS	MM	SALES BLOW UP DIAGRAM	DIAGRAM NO.	GDQ-F101B-A	
					VERIFIED BY	QTY	1				DF-302
						VERSION	A0		XX	MODEL	
						RATIO	1:12				



CHANGE DATE	CHANGE DESCRIPTION	CHANGE NO.	NAME	 RESTRICTED USAGE , PLEASE DON'T FORWARD TO ANYONE WHO ISN'T AUTHORIZED	DRAWN BY	UNITS	MM	SALES BLOW UP DIAGRAM	DIAGRAM NO.	GDQ-F101C-A	
					VERIFIED BY	QTY	1				DF-302
						VERSION	A0		XX	MODEL	
						RATIO	1:15				