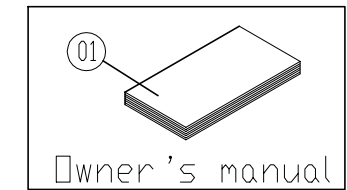
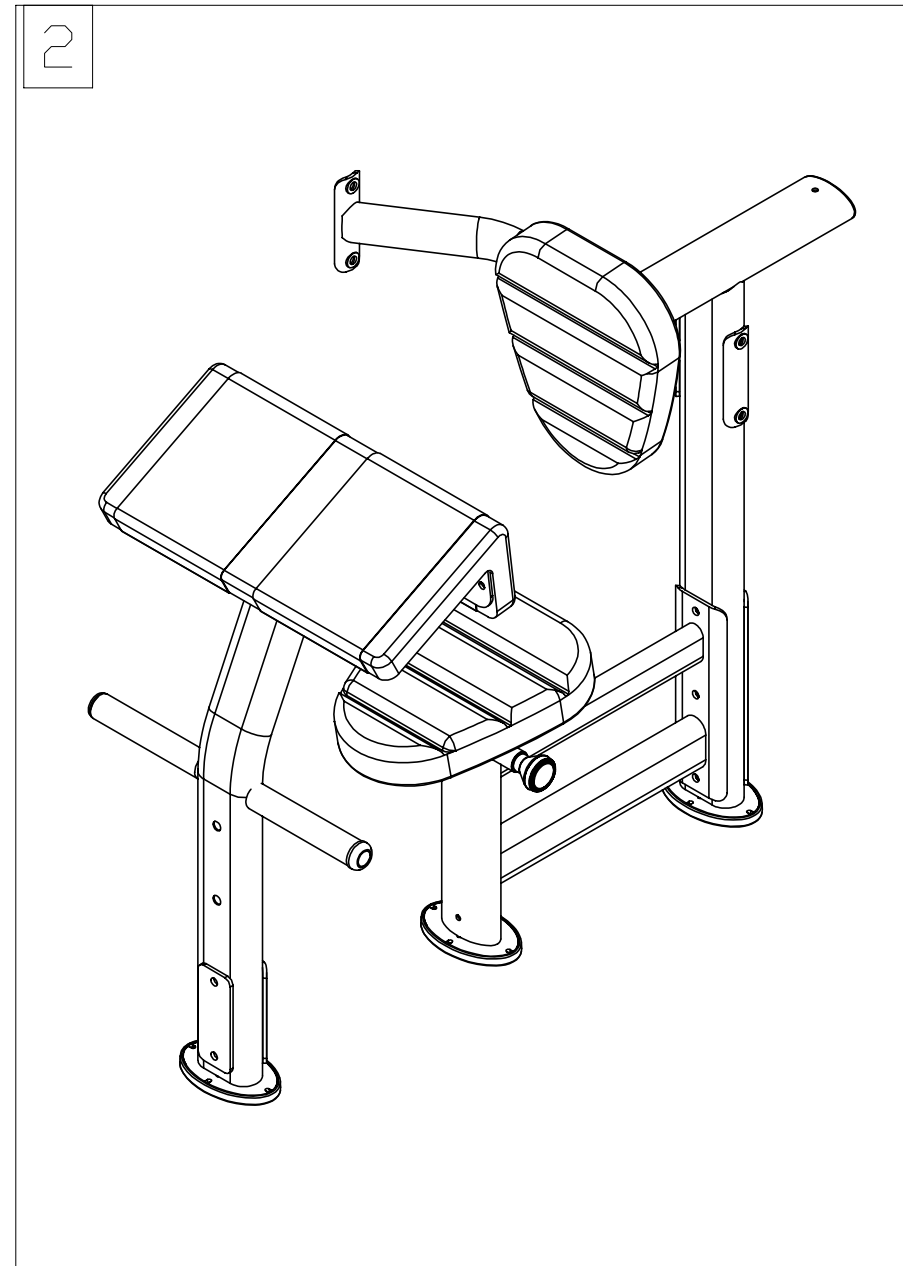
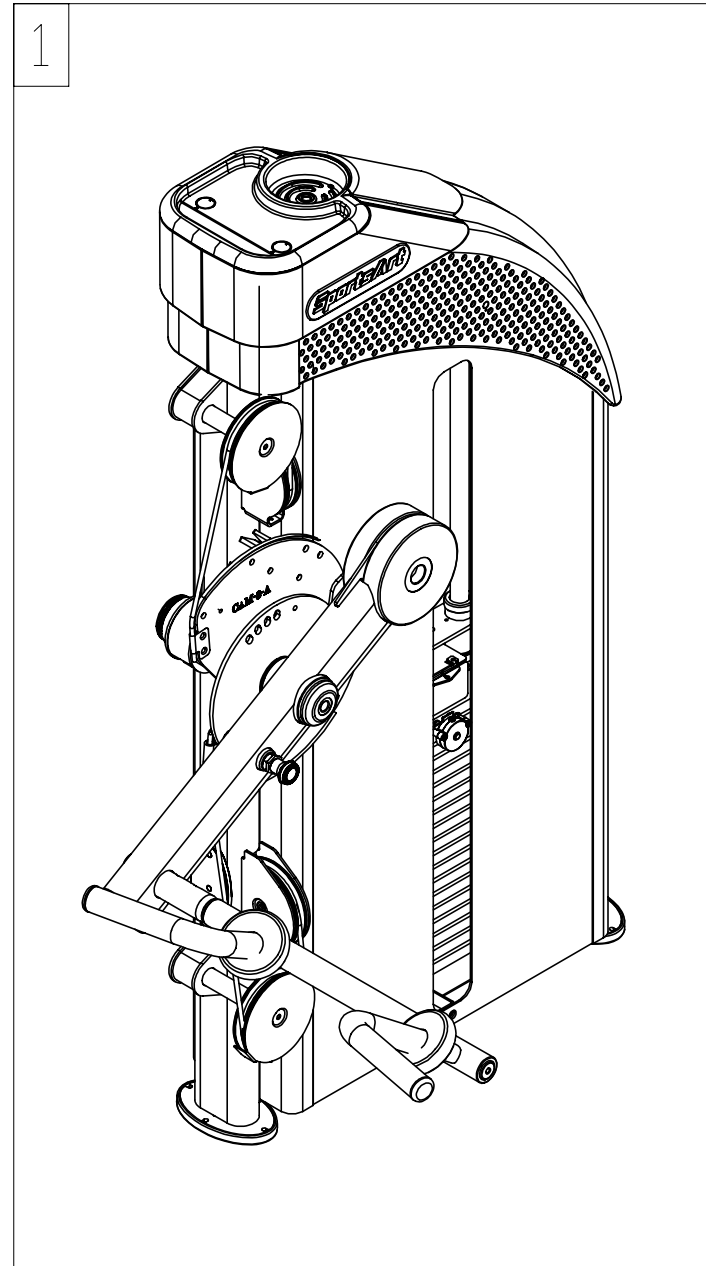
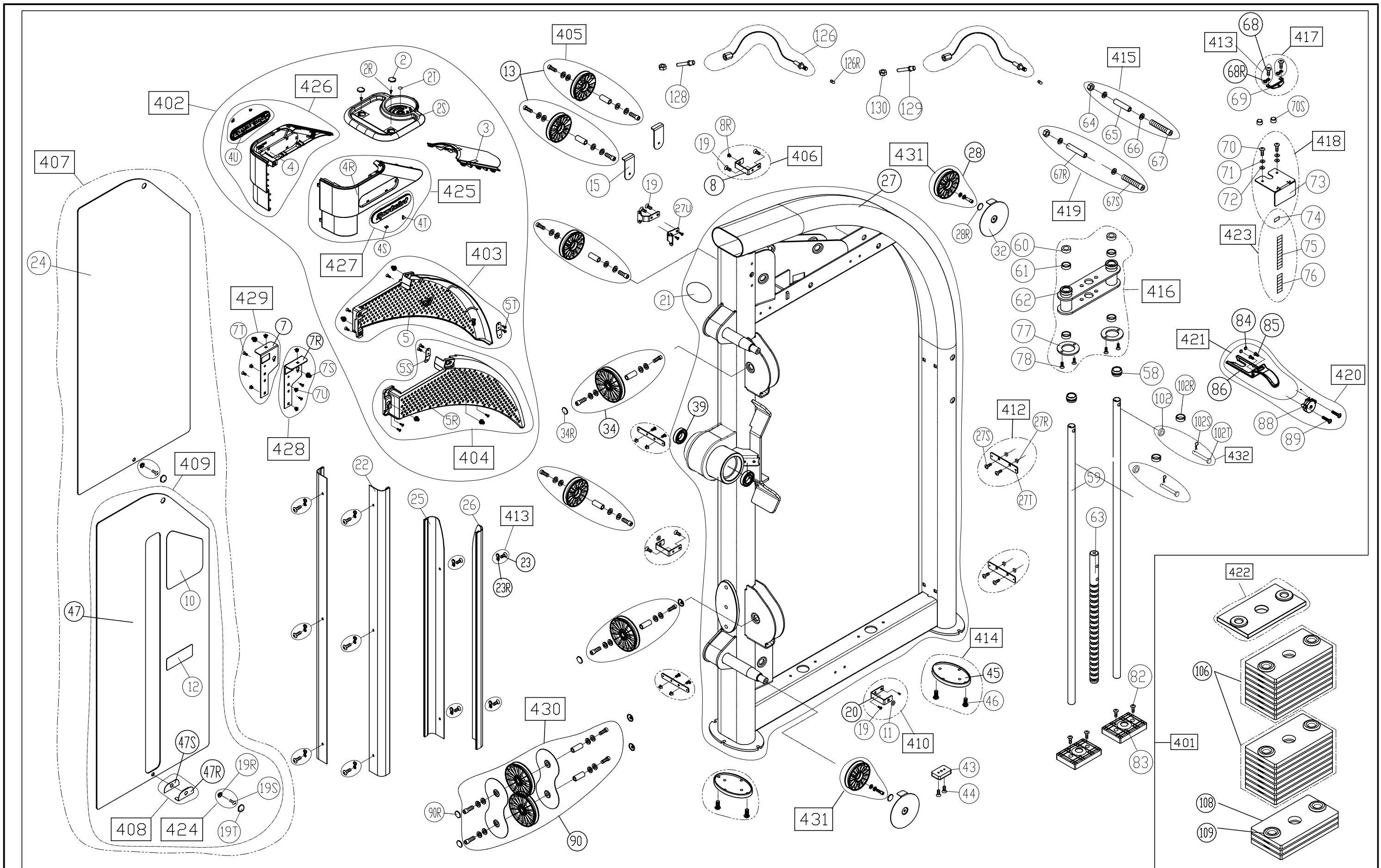


No.	Diagram	Tool Needed	Part Number	components Number
1	GDT-F101B		① ~ ⑬⑩	401 ~ 432
2	GDT-F101C		⑮⑤ ~ ⑳①R	433 ~ 477
3				
4				



CHANGE DATE	CHANGE DESCRIPTION	CHANGE NO.	NAME	SportsArt FITNESS RESTRICTED USAGE , PLEASE DON'T FORWARD TO ANYONE WHO ISN'T AUTHORIZED	DRAWN BY	UNITS	MM	SALES BLOW UP DIAGRAM	DIAGRAM NO.	GDT-F101A-A	
	△A1				VERIFIED BY	QTY	1	XX		MODEL	DF-305
						VERSION	A0				
						RATIO	1:10				



CHANGE DATE	CHANGE DESCRIPTION	CHANGE NO.	NAME	 RESTRICTED USAGE , PLEASE DON'T FORWARD TO ANYONE WHO ISN'T AUTHORIZED	DRAWN BY	UNITS	MM	SALES BLOW UP DIAGRAM	DIAGRAM NO.	GDT-F101B-A	
	△				VERIFIED BY	QTY	1				DF-305
						VERSION	A0		XX	MODEL	
						RATIO	1:12				

