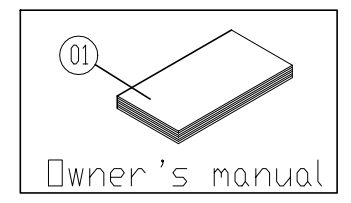
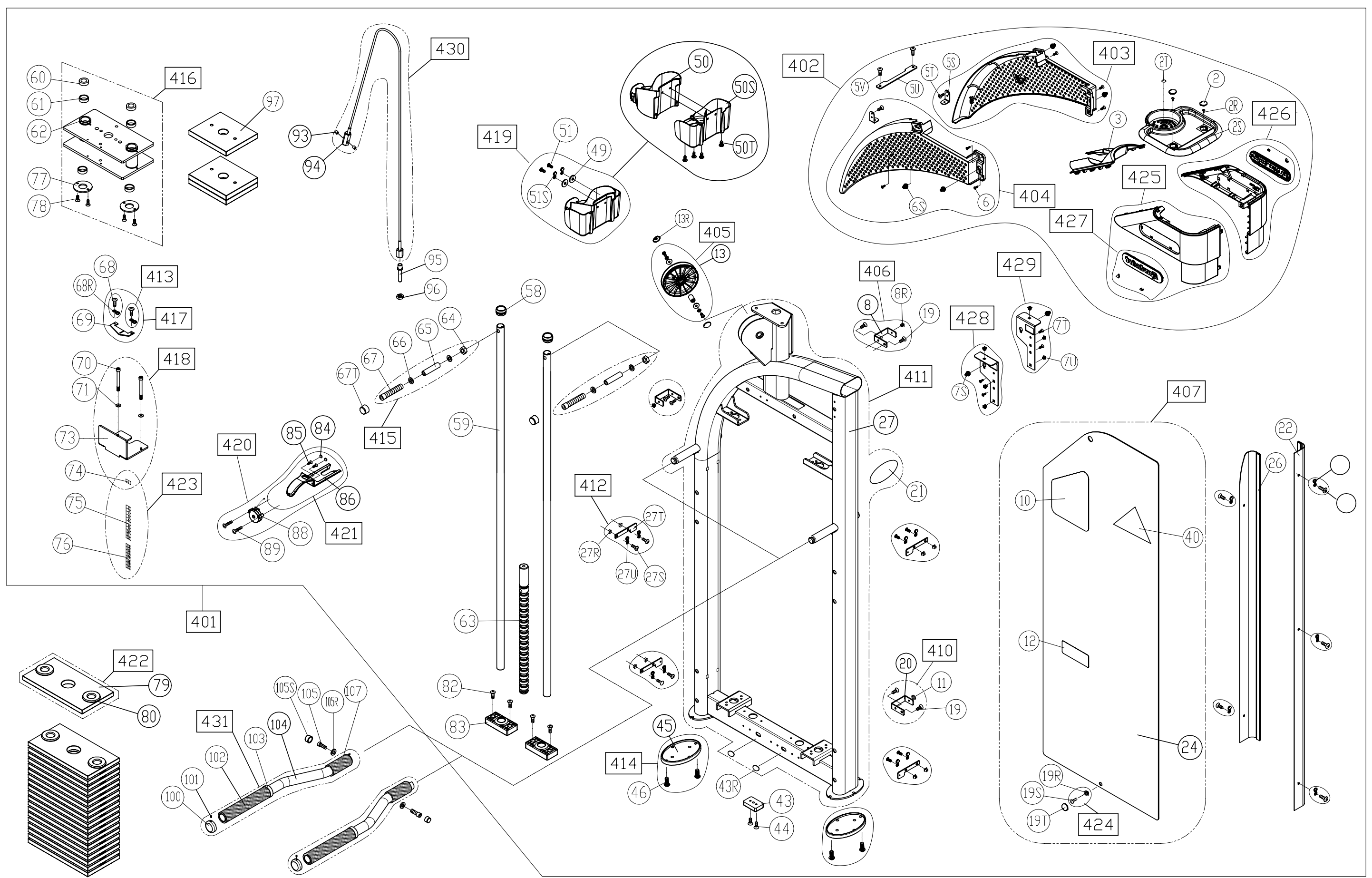


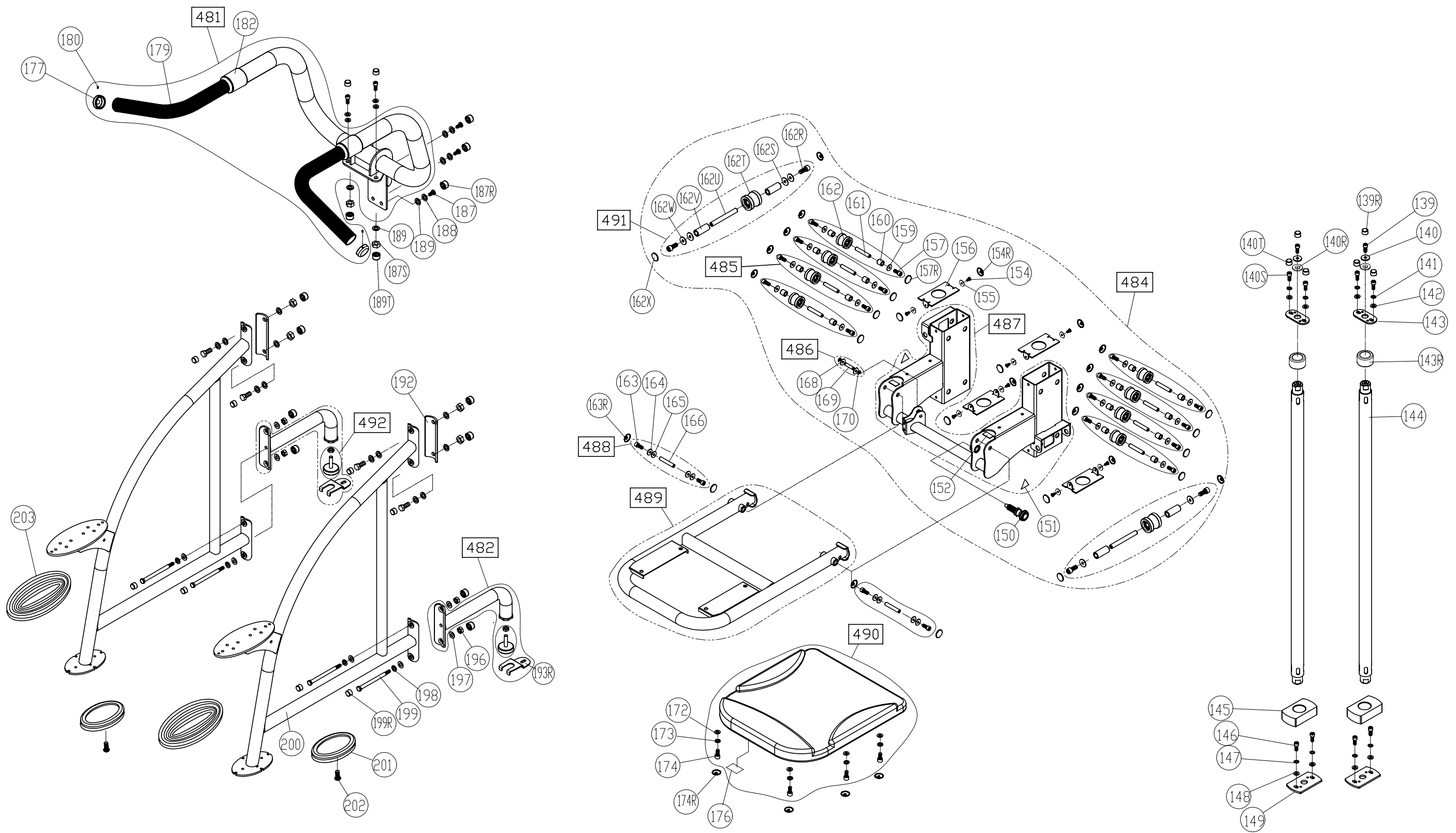
No.	Diagram	Tool Needed	Part Number	components Number
1	GDV-F101B		① ~ ⑨⑦	401 ~ 431
2	GDV-F101C		⑬⑨ ~ ⑳③	481 ~ 491



CHANGE DATE	CHANGE DESCRIPTION	CHANGE NO.	NAME	 RESTRICTED USAGE , PLEASE DON'T FORWARD TO ANYONE WHO ISN'T AUTHORIZED	DRAWN BY	UNITS	MM	SALES BLOW UP DIAGRAM	DIAGRAM NO.	GDV-F101A-A	
	△A1				VERIFIED BY	QTY	1			MODEL	DF-207
						VERSION	A0		XX		
						RATIO	1:10				



CHANGE DATE	CHANGE DESCRIPTION	CHANGE NO.	NAME	 RESTRICTED USAGE , PLEASE DON'T FORWARD TO ANYONE WHO ISN'T AUTHORIZED	DRAWN BY	UNITS	MM	SALES BLOW UP DIAGRAM	DIAGRAM NO.	GCH-F102B-A	
					VERIFIED BY	QTY	1				DF-207
						VERSION	A0		XX	MODEL	
						RATIO	1:12				



CHANGE DATE	CHANGE DESCRIPTION	CHANGE NO.	NAME	<b>SportsArt</b> <b>FITNESS</b> RESTRICTED USAGE , PLEASE DON'T FORWARD TO ANYONE WHO ISN'T AUTHORIZED	DRAWN BY	UNITS	MM	SALES BLOW UP DIAGRAM	DIAGRAM NO.	GDV-F101C-C
					VERIFIED BY	QTY	1			DF-307
						VERSION	D1	XX	MODEL	
						RATIO	1:12			