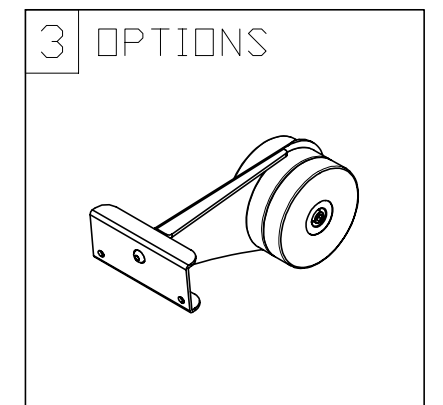
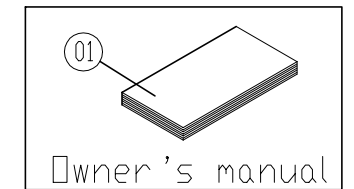
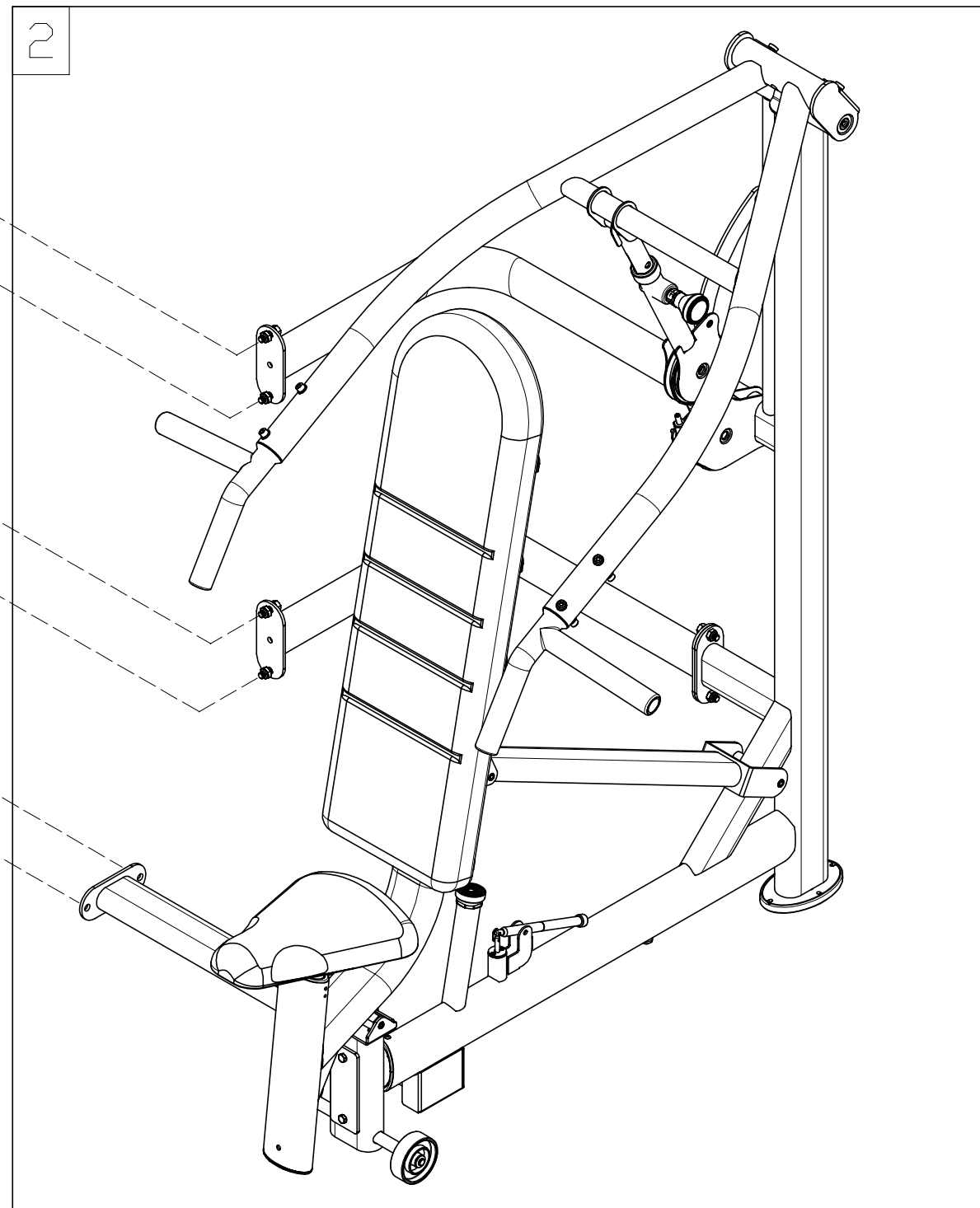
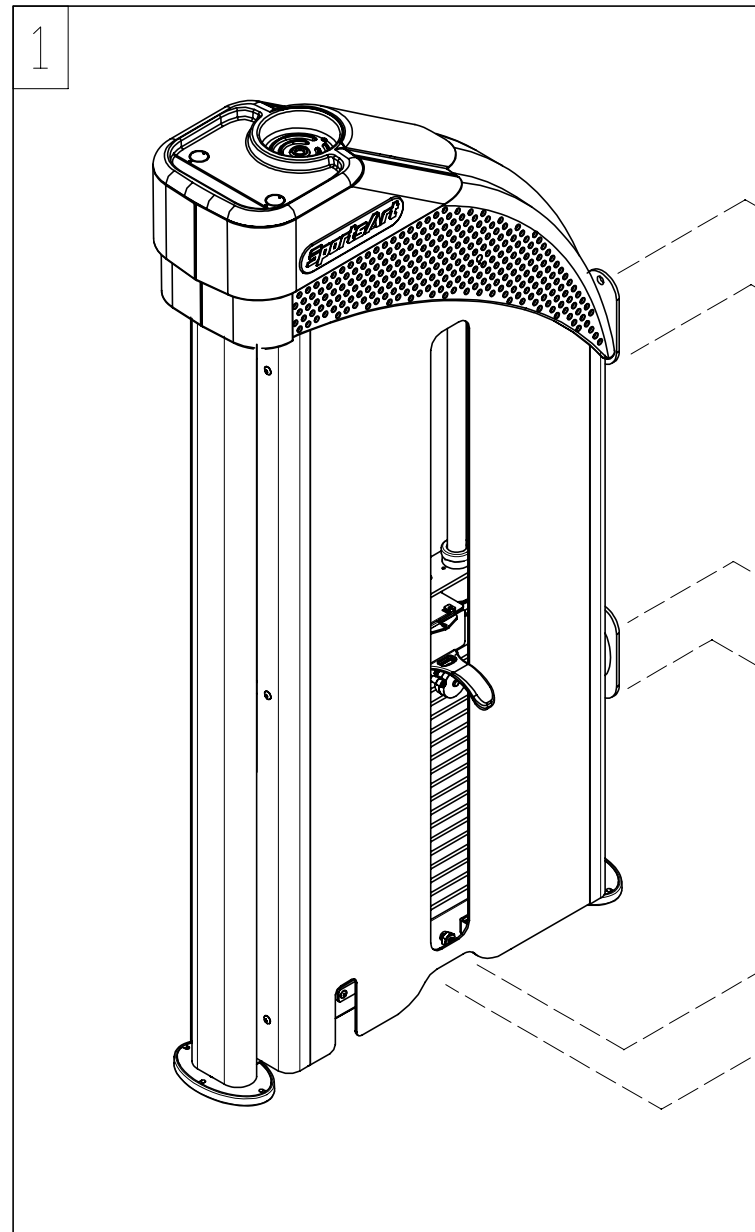
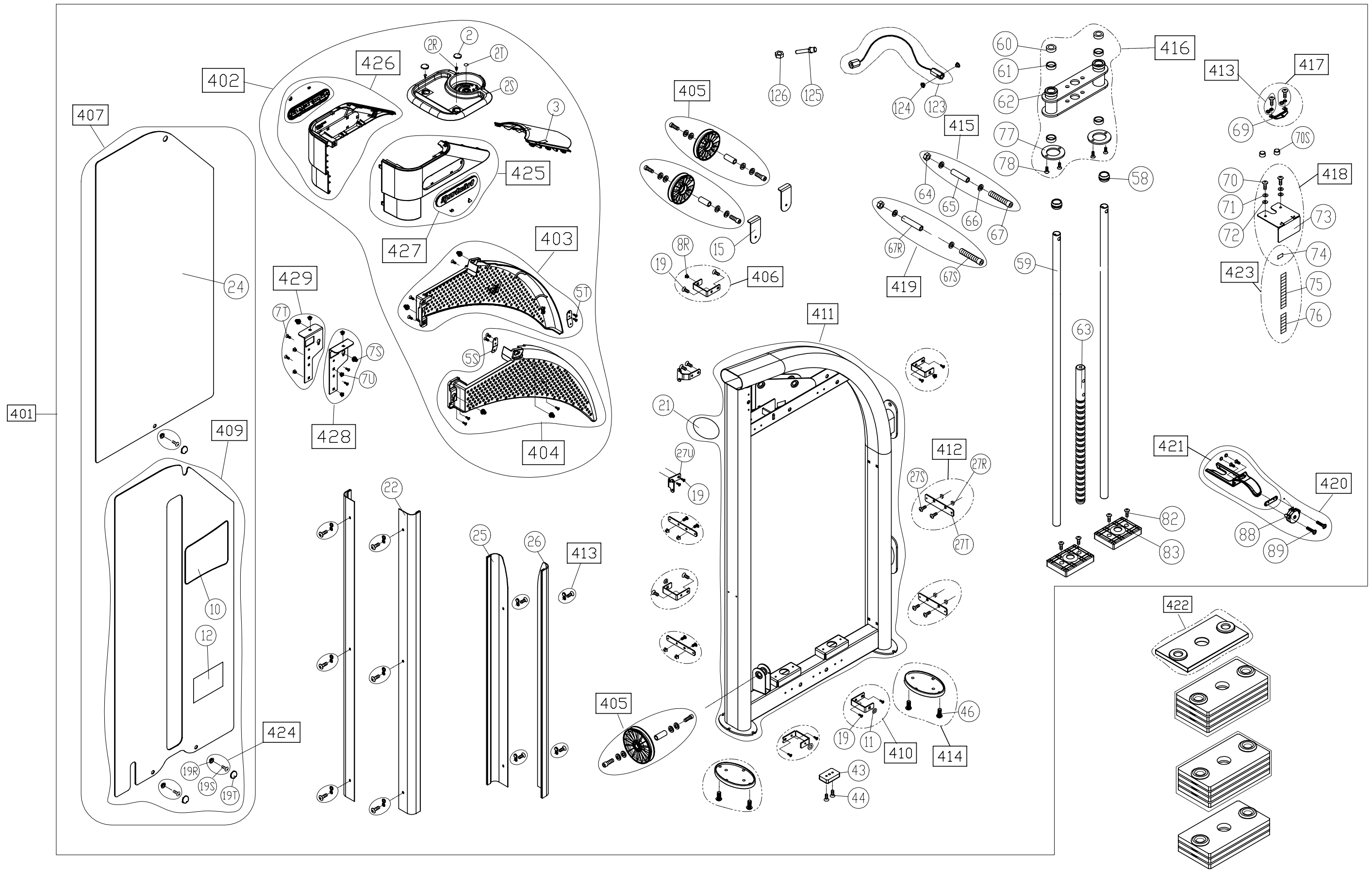


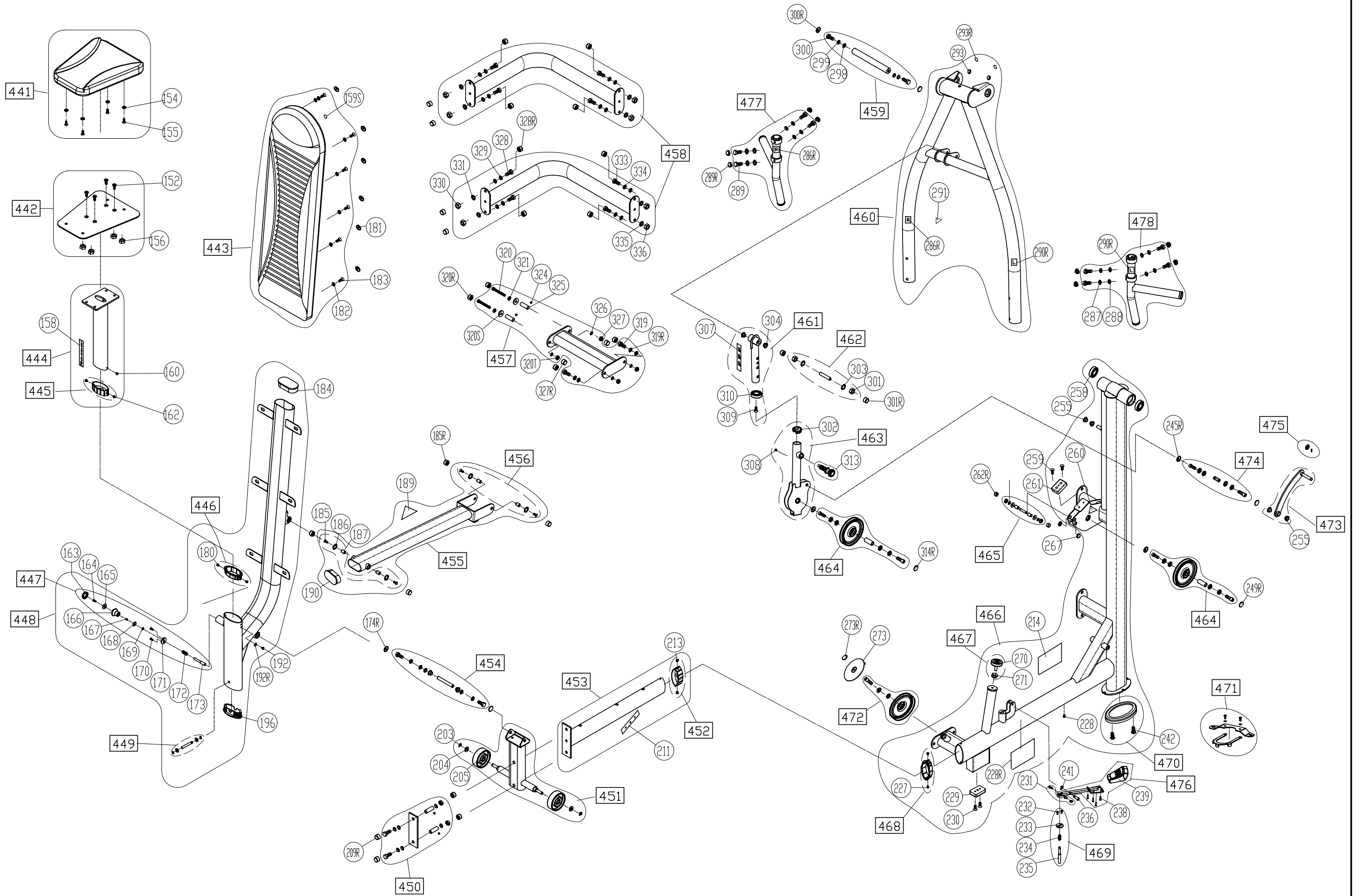
No.	Diagram	Tool Needed	Part Number	components Number
1	GDW-F101B		① ~ ⑫⑥	④①① ~ ④②⑨
2	GDW-F101C		⑮② ~ ③③⑥	④④① ~ ④⑦⑧
3	GCA-F101E	OPTIONS	Ⓑ① ~ Ⓑ⑭	Ⓑ④①



CHANGE DATE	CHANGE DESCRIPTION	CHANGE NO.	NAME	 RESTRICTED USAGE , PLEASE DON'T FORWARD TO ANYONE WHO ISN'T AUTHORIZED	DRAWN BY	UNITS	MM	SALES BLOW UP DIAGRAM	DIAGRAM NO.	GDW-F101A-A	
	△A1				VERIFIED BY	QTY	1		XX	MODEL	DF-308
						VERSION	A0				
						RATIO	1:10				



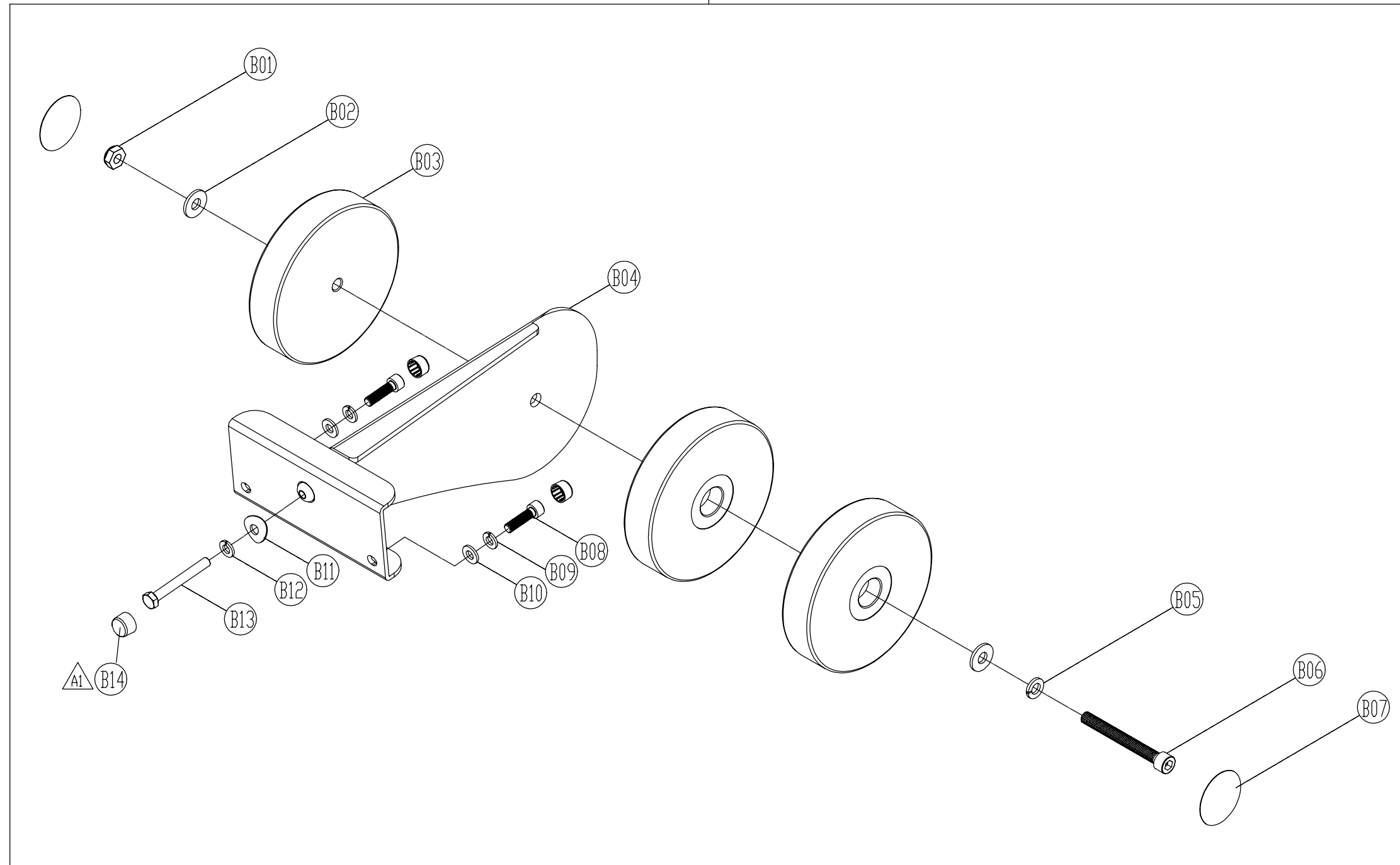
CHANGE DATE	CHANGE DESCRIPTION	CHANGE NO.	NAME	 <p>RESTRICTED USAGE , PLEASE DON'T FORWARD TO ANYONE WHO ISN'T AUTHORIZED</p>	DRAWN BY	UNITS	MM	SALES BLOW UP DIAGRAM	DIAGRAM NO.	GDW-F101B-A	
					VERIFIED BY	QTY	1				DF-308
						VERSION	A0		XX	MODEL	
						RATIO	1:12				



CHANGE DATE	CHANGE DESCRIPTION	CHANGE NO.	NAME	 <p>RESTRICTED USAGE , PLEASE DON'T FORWARD TO ANYONE WHO ISN'T AUTHORIZED</p>	DRAWN BY	UNITS	MM	SALES BLOW UP DIAGRAM	DIAGRAM NO.	GDW-F101C-A	
					VERIFIED BY	QTY	1				DF-308
						VERSION	A0	XX		MODEL	
						RATIO	1:17				

OPTION

B401



CHANGE DATE	CHANGE DESCRIPTION	CHANGE NO.	NAME	 RESTRICTED USAGE , PLEASE DON'T FORWARD TO ANYONE WHO ISN'T AUTHORIZED	DRAWN BY	UNITS	MM	SALES BLOW UP DIAGRAM	DIAGRAM NO.	GCA-F101E-A
2021.05.04	 配合P817/DF-308 , 新增件號(B14)		張又仁		VERIFIED BY	QTY	1	XX	MODEL	P717/P817 DF-108/DF-208/DF-308
						VERSION	A1			
						RATIO	1:4			