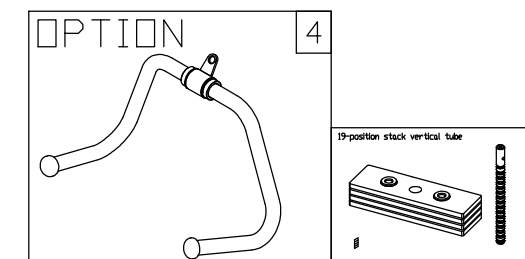
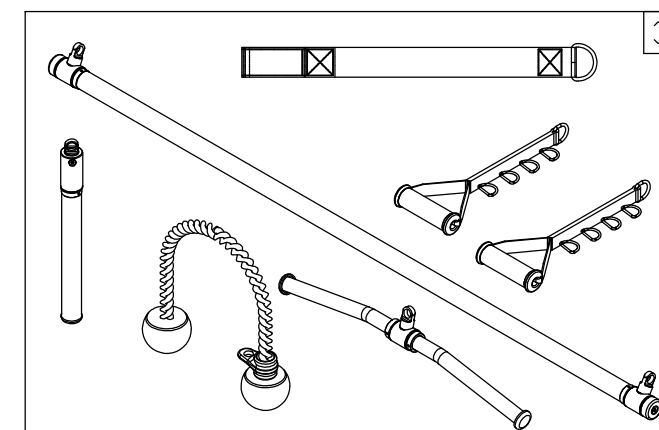
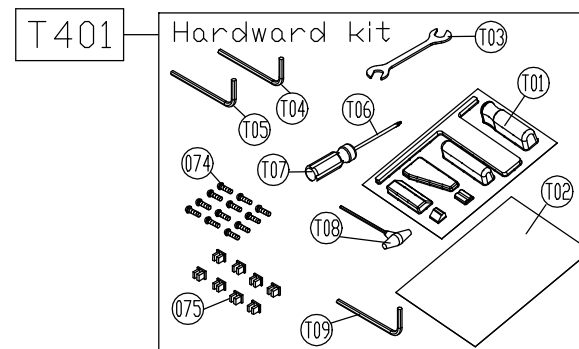
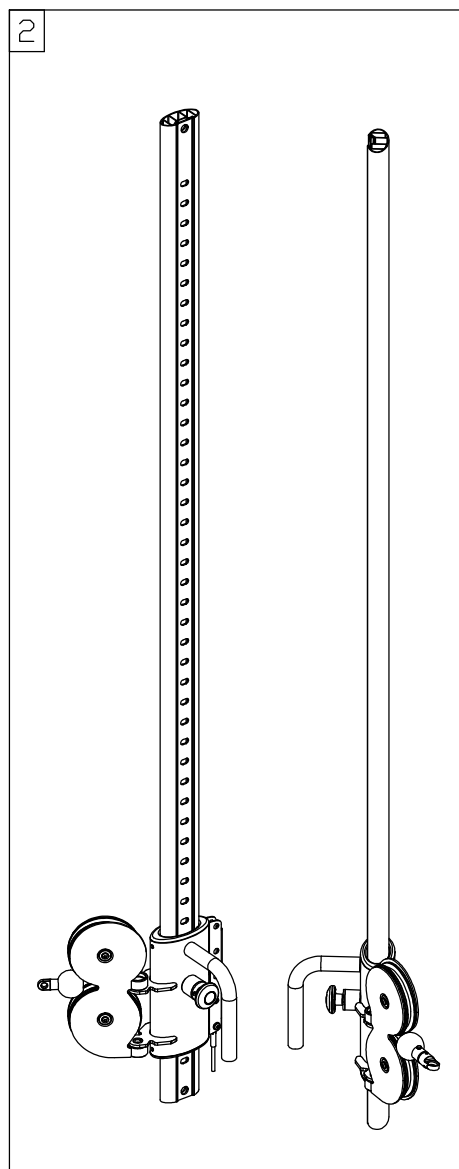
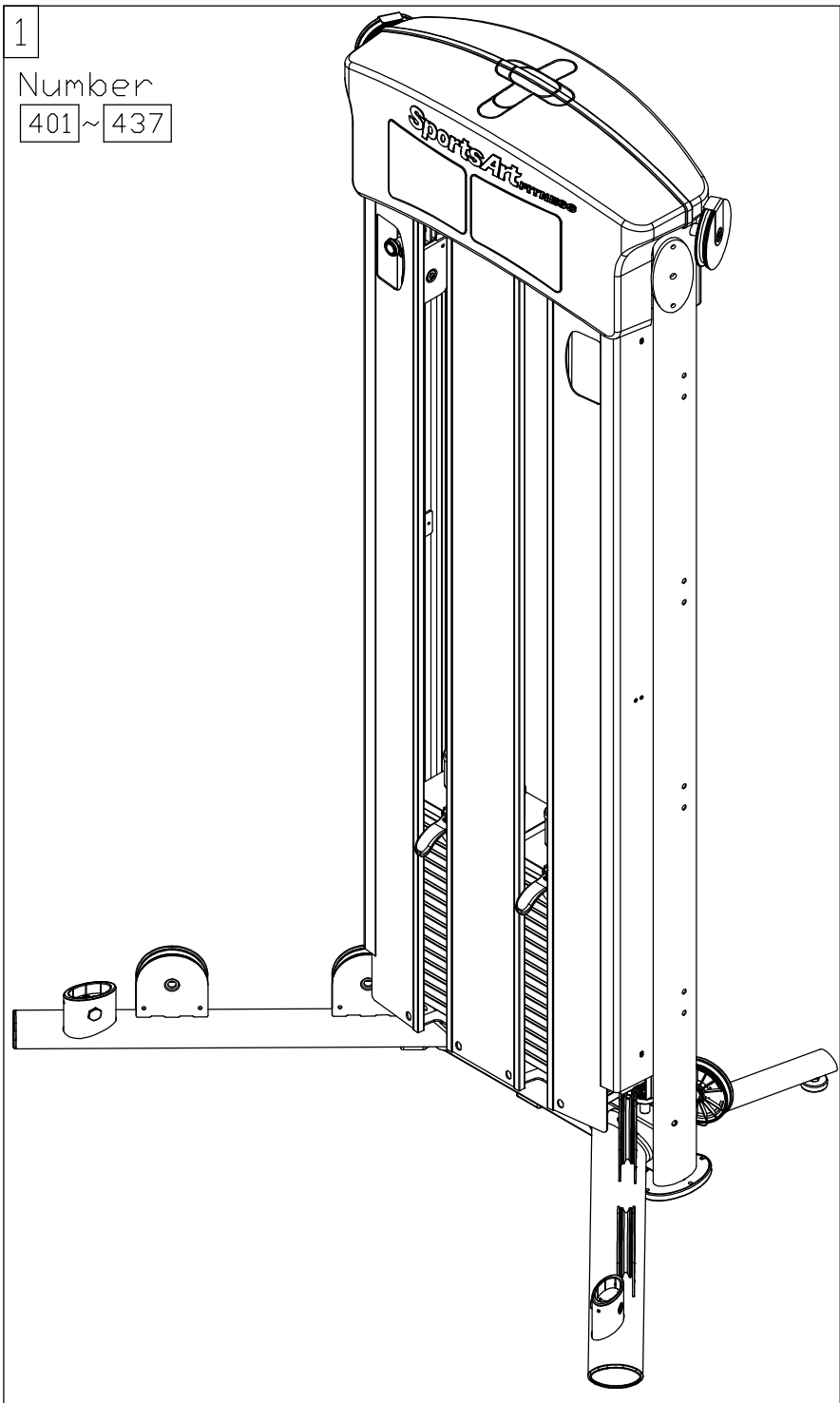


No.	Diagram	Tool Needed
1	GEE-F101B	
2	GEE-F101C	
3	GEB-F101D	
4	GEB-F101E	OPTION

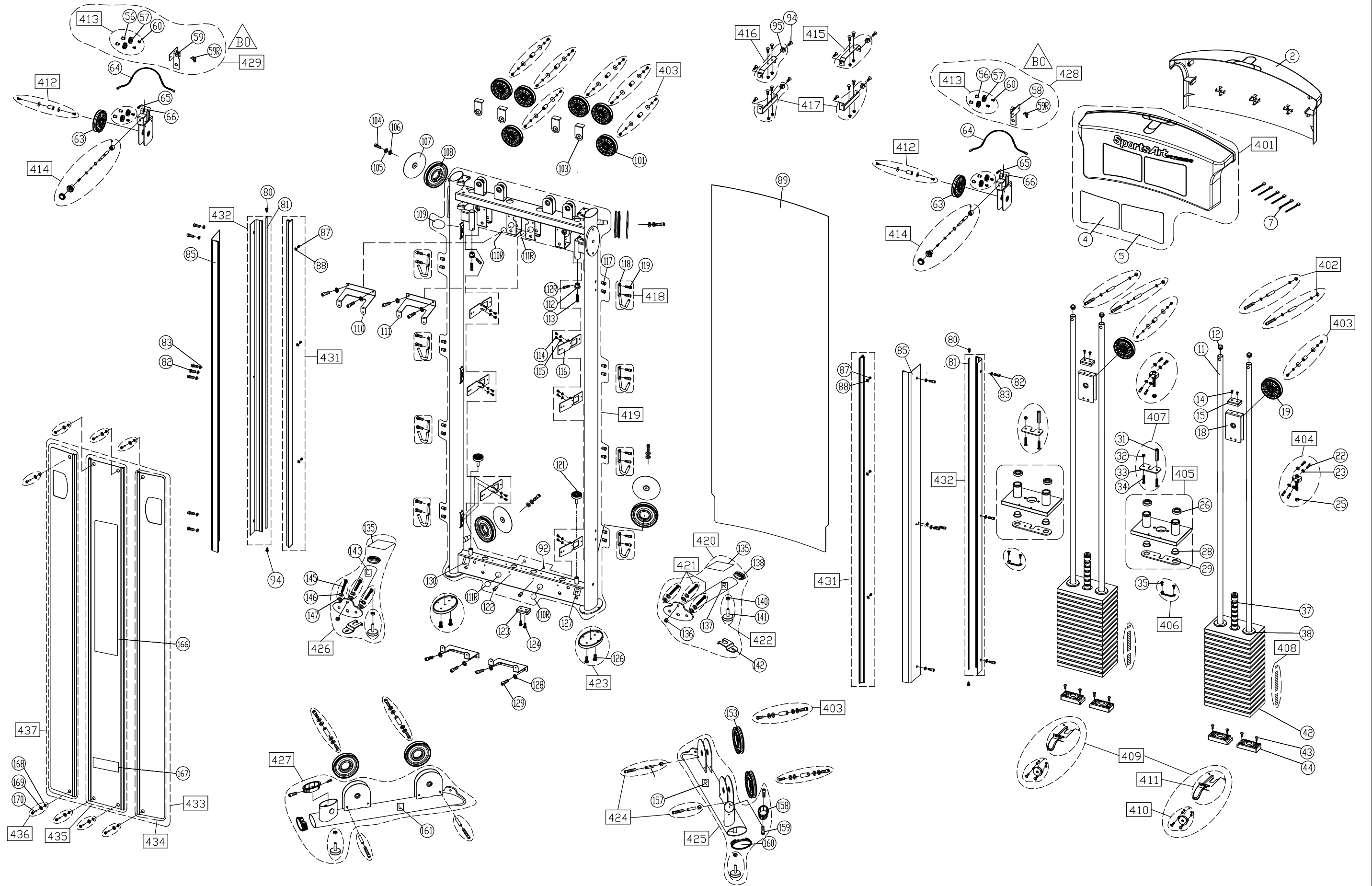


CHANGE DATE	CHANGE DESCRIPTION	CHANGE NO.	NAME

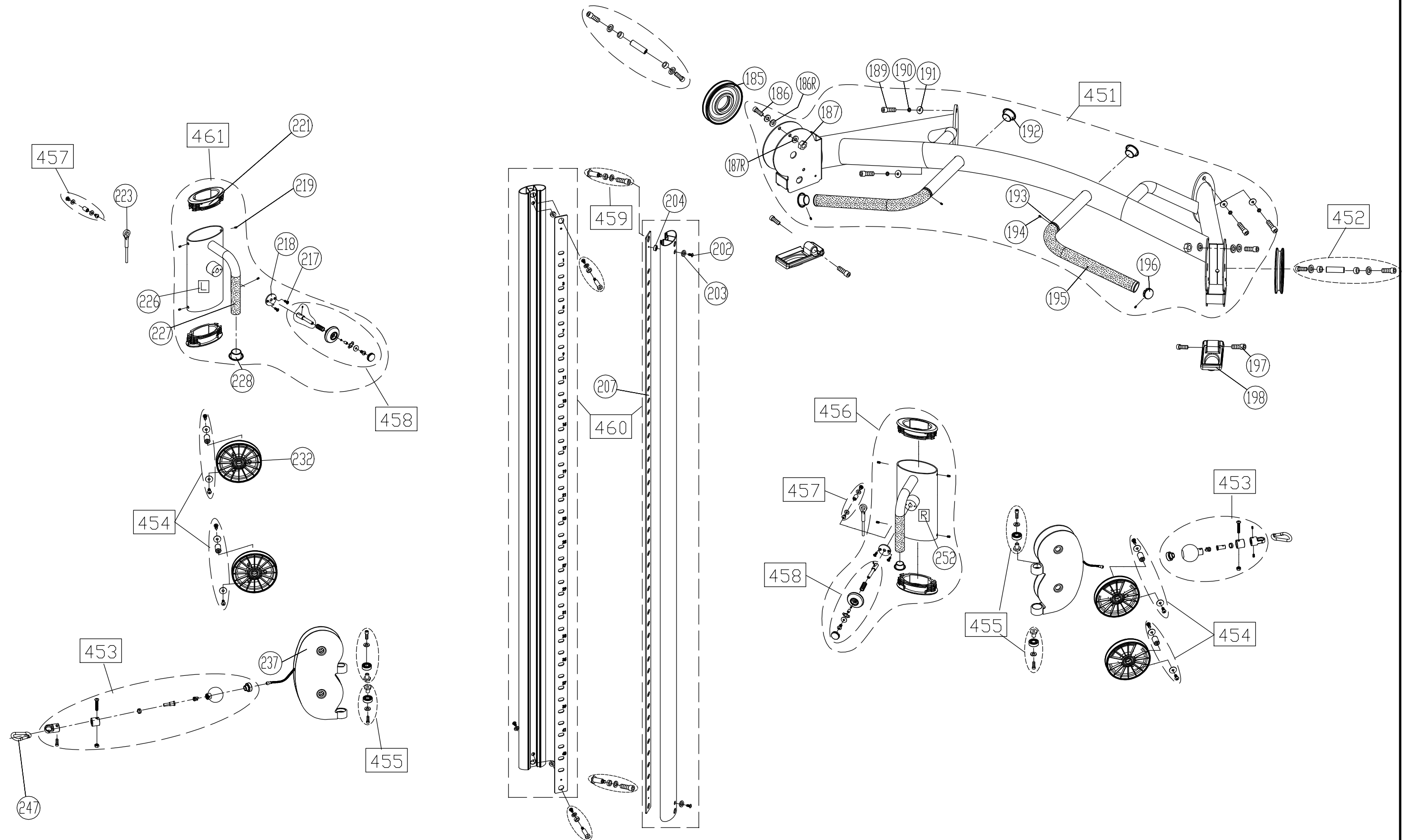
SportsArt
FITNESS

RESTRICTED USAGE ,
PLEASE DON'T FORWARD TO ANYONE WHO ISN'T AUTHORIZED

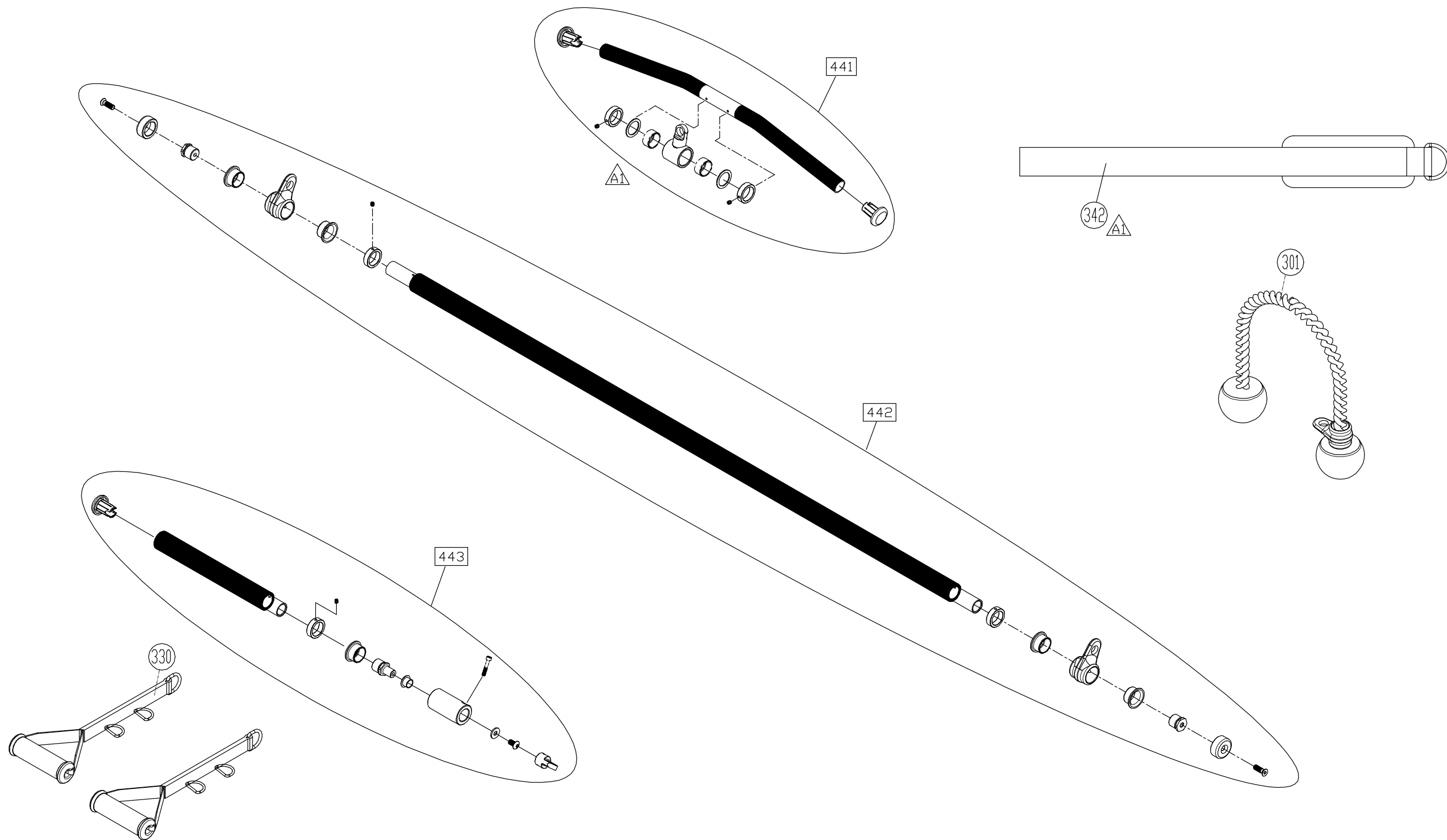
DRAWN BY	UNITS	MM	SALES BLOW UP DIAGRAM	DIAGRAM NO.	GEE-F101A-A
	QTY	1			DS972
	VERSION	A0	XX	MODEL	
	RATIO	1:13			



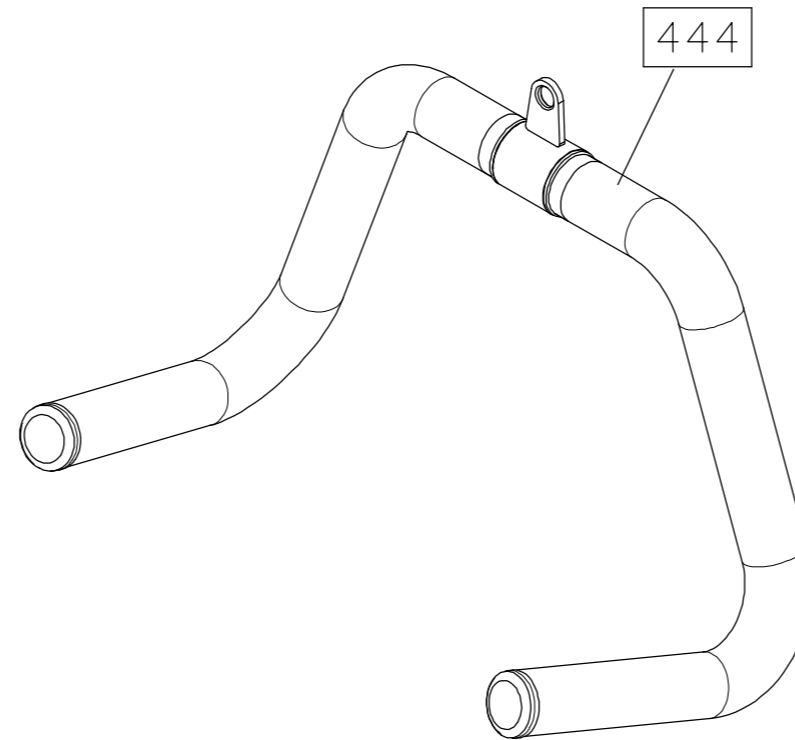
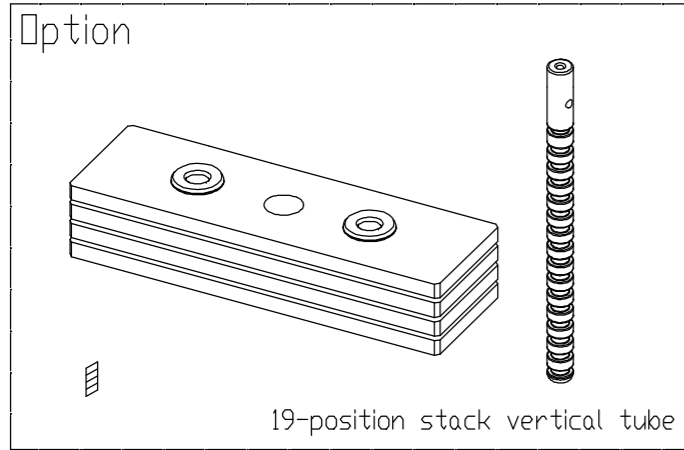
CHANGE DATE	CHANGE DESCRIPTION	CHANGE NO.	NAME	 RESTRICTED USAGE , PLEASE DON'T FORWARD TO ANYONE WHO ISN'T AUTHORIZED.	DRAWN BY	UNITS	MM	SALES BLOW UP DIAGRAM	DIAGRAM NO.	GEE-F101B-A	
2017.04.10	 新增 428 429 (59R) 使彈簧壓於平面。	05-20170311M	卓秬萱		VERIFIED BY	QTY	1			DS972	
						VERSION	B0	XX		MODEL	
						RATIO	1:17				



CHANGE DATE	CHANGE DESCRIPTION	CHANGE NO.	NAME	SportsArt FITNESS RESTRICTED USAGE , PLEASE DON'T FORWARD TO ANYONE WHO ISN'T AUTHORIZED	DRAWN BY	UNITS	MM	SALES BLOW UP DIAGRAM	DIAGRAM NO.	GEE-F101C-A	
					VERIFIED BY	QTY	1				DS972
						VERSION	A0	XX		MODEL	
						RATIO	1:10				



CHANGE DATE	CHANGE DESCRIPTION	CHANGE NO.	NAME	 RESTRICTED USAGE , PLEASE DON'T FORWARD TO ANYONE WHO ISN'T AUTHORIZED	DRAWN BY	UNITS	MM	SALES BLOW UP DIAGRAM	DIAGRAM NO.	GEB-F101D-A	
2013.09.05	修改圖面樣式 , 新增件號 (342) , 取消件號 (300)		林岑		VERIFIED BY	QTY	1				S972
						VERSION	A1	XX		MODEL	
						RATIO	1:7				



CHANGE DATE	CHANGE DESCRIPTION	CHANGE NO.	NAME	<p>RESTRICTED USAGE , PLEASE DON'T FORWARD TO ANYONE WHO ISN'T AUTHORIZED</p>	DRAWN BY	UNITS	MM	SALES BLOW UP DIAGRAM	DIAGRAM NO.	GEB-F101E-A
2014.08.05	原組件 453 移至於此圖, 並變更為 461		林士文		VERIFIED BY	QTY	1	XX	MODEL	S972
						VERSION	A1			
						RATIO	1:4			