

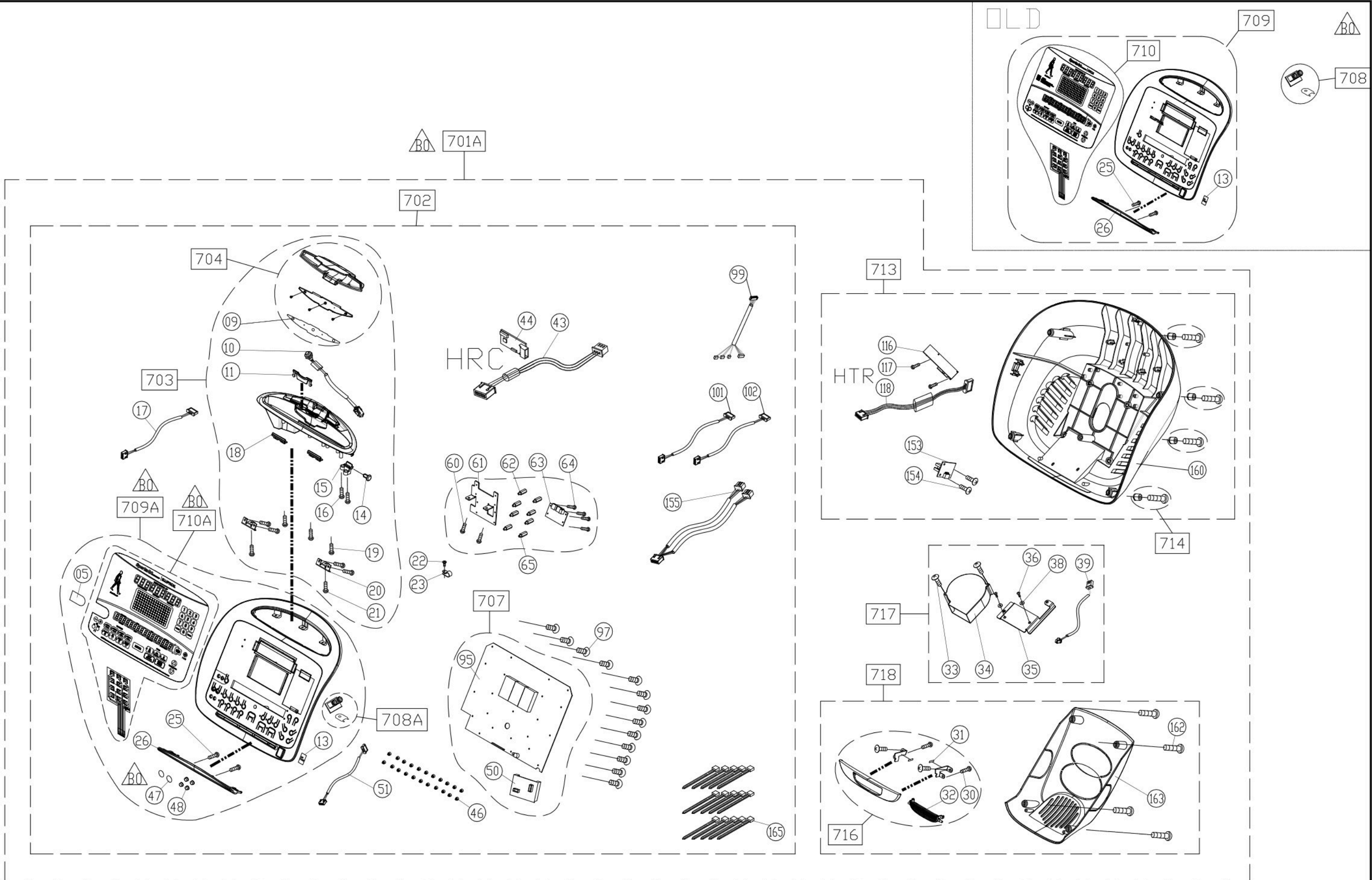
No.	Diagram	Tool Needed
1	EAZ-F101B	
2	EAZ-F101C	
3	EAZ-F101D	
4	CAQ-F101F	OPTION
5	TBK-F101E	OPTION

CHANGE DATE	CHANGE DESCRIPTION	CHANGE NO.	NAME

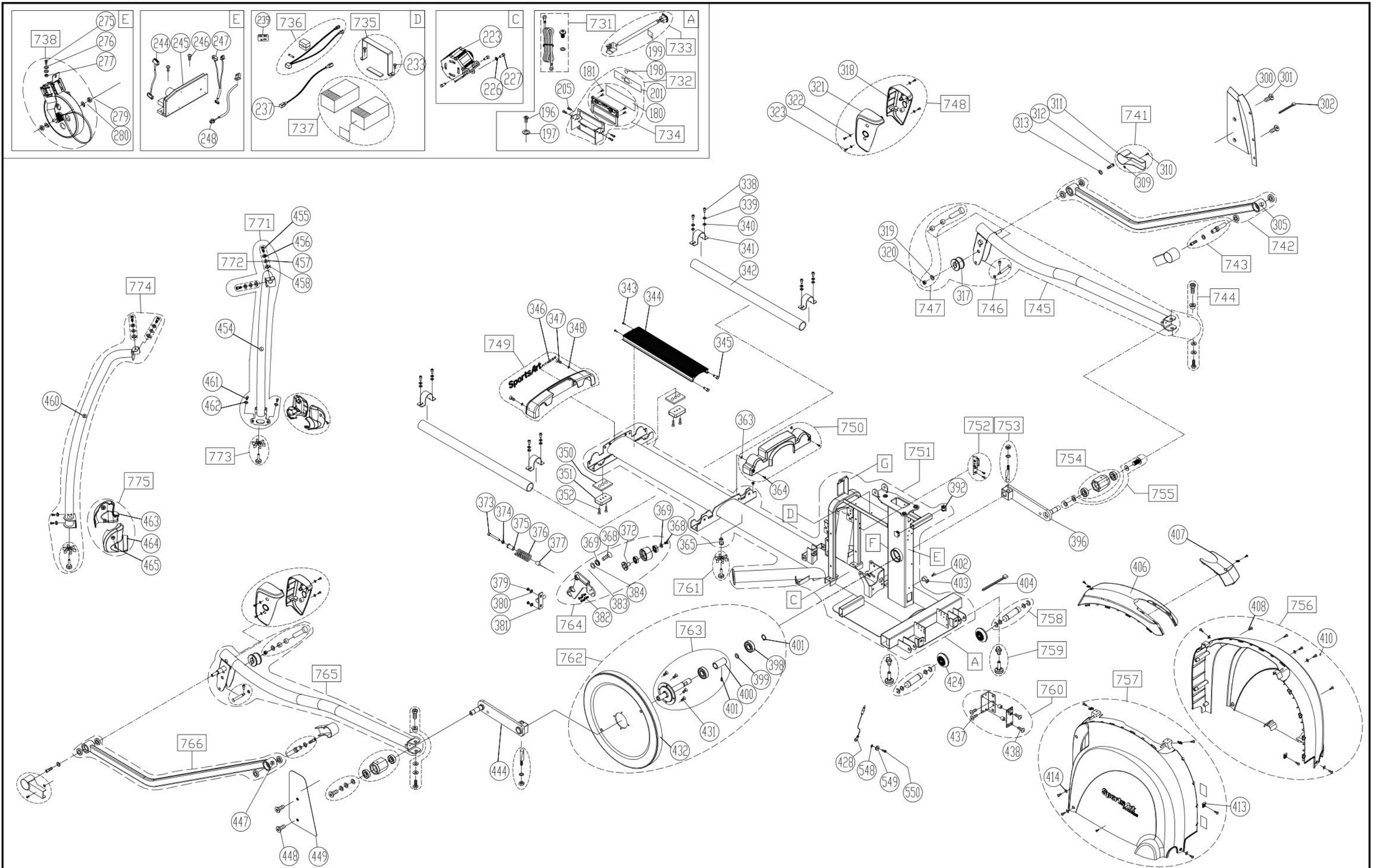
SportsArt
FITNESS

RESTRICTED USAGE ,
PLEASE DON'T FORWARD TO ANYONE WHO ISN'T AUTHORIZED

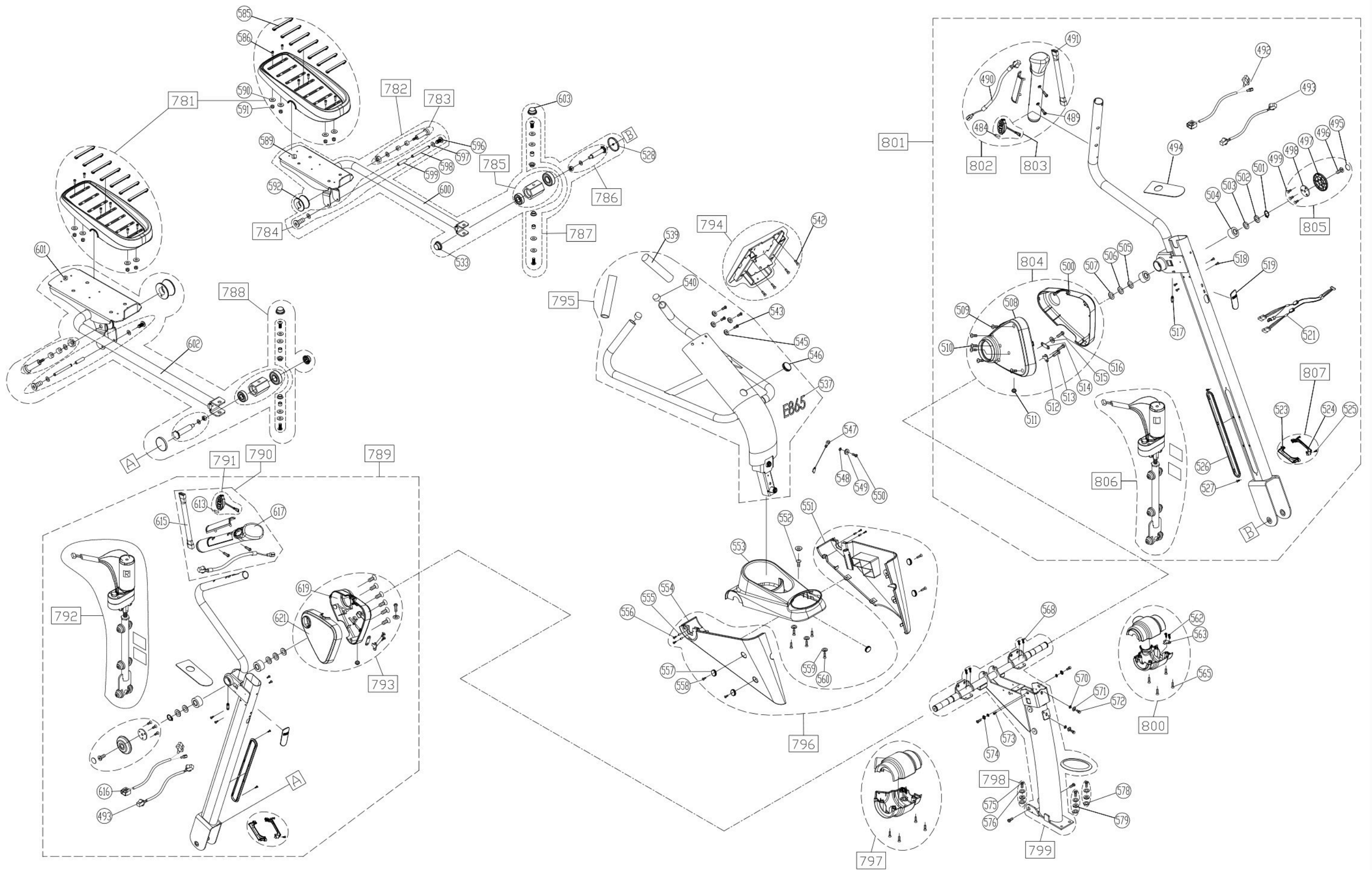
DRAWN BY	UNITS	MM	SALES BLOW UP DIAGRAM	DIAGRAM NO.	EAZ-F101A-A
VERIFIED BY	QTY	1	XX	MODEL	E865-LED
	VERSION	A0			
	RATIO	1:12			



CHANGE DATE	CHANGE DESCRIPTION	CHANGE NO.	NAME	 RESTRICTED USAGE , PLEASE DON'T FORWARD TO ANYONE WHO ISN'T AUTHORIZED	DRAWN BY	UNITS	MM	SALES BLOW UP DIAGRAM	DIAGRAM NO.	EAZ-F101B-B	
2016.01.15	BO 區分TV WAR差異料件	02-20141036M 02-20141036T	林士文		VERIFIED BY	QTY	1				E865-LED
						VERSION	B0	XX		MODEL	
						RATIO	1:10				



CHANGE DATE	CHANGE DESCRIPTION	CHANGE NO.	NAME	 <p>RESTRICTED USAGE , PLEASE DON'T FORWARD TO ANYONE WHO ISN'T AUTHORIZED</p>	DRAWN BY	UNITS	MM	SALES BLOW UP DIAGRAM	DIAGRAM NO.	EAZ-F001C-A		
					VERIFIED BY	QTY	1					
						VERSION	A0		XX			MODEL
						RATIO	1:14					E865 LED



CHANGE DATE	CHANGE DESCRIPTION	CHANGE NO.	NAME	SportsArt FITNESS RESTRICTED USAGE , PLEASE DON'T FORWARD TO ANYONE WHO ISN'T AUTHORIZED	DRAWN BY	UNITS	MM	SALES BLOW UP DIAGRAM	DIAGRAM NO.	EAZ-F101D-A		
					VERIFIED BY	QTY	1					E865
						VERSION	A0			XX	MODEL	
						RATIO	1:12					