

No.	Diagram	Tool Needed	Part Number	components Number
1	RAA-F101B		① ~ ④① F01 ~ F12 A101 ~ A105	401 ~ 412 F401 ~ F403
2	RAA-F101C		⑩① ~ ⑩②⑦ A201 A301 ~ A350	432 ~ 476
3	RAA-F	外掛電視架 OPTIONS		
4	RAA-F101D	SA WELL+/SU BLE OPTIONS		Y710
5	1200151200	BLE Transmitter Belt OPTIONS		

T401 Hardware kit G260/R260

R260

T01: Wrench
T02: Torque wrench
T03: Torque wrench
T04: Torque wrench
T05: Torque wrench
T06: Torque wrench
T07: Torque wrench
T09: Torque wrench
122: Bolt
123: Bolt

3

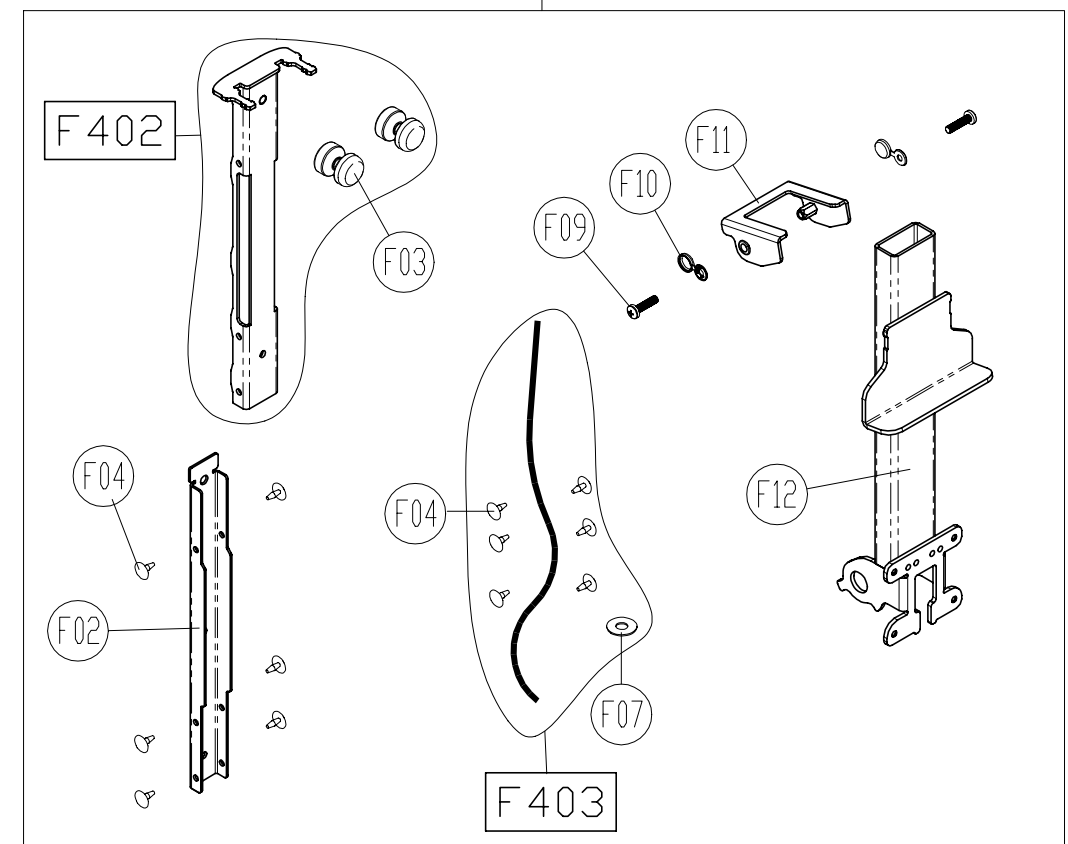
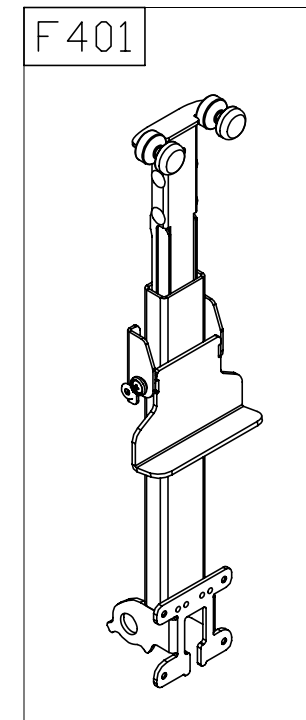
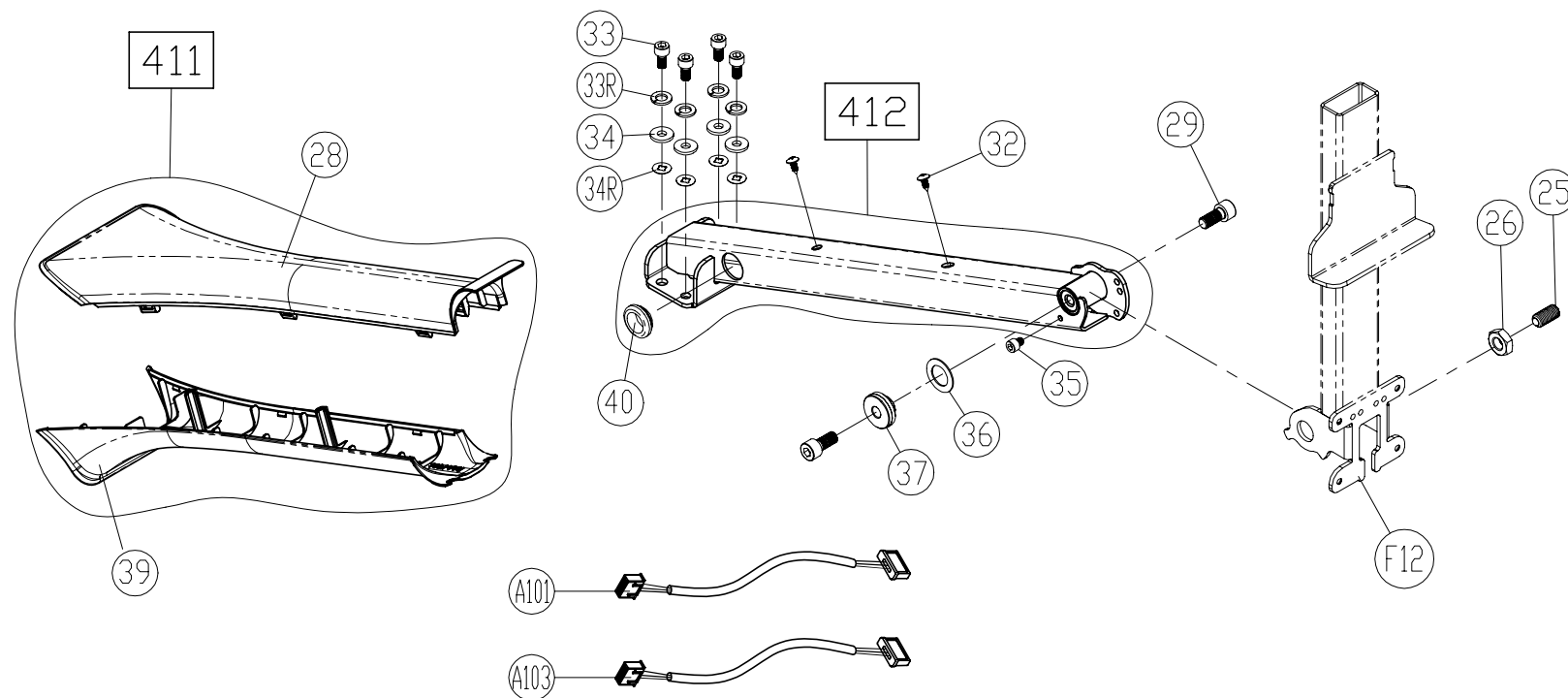
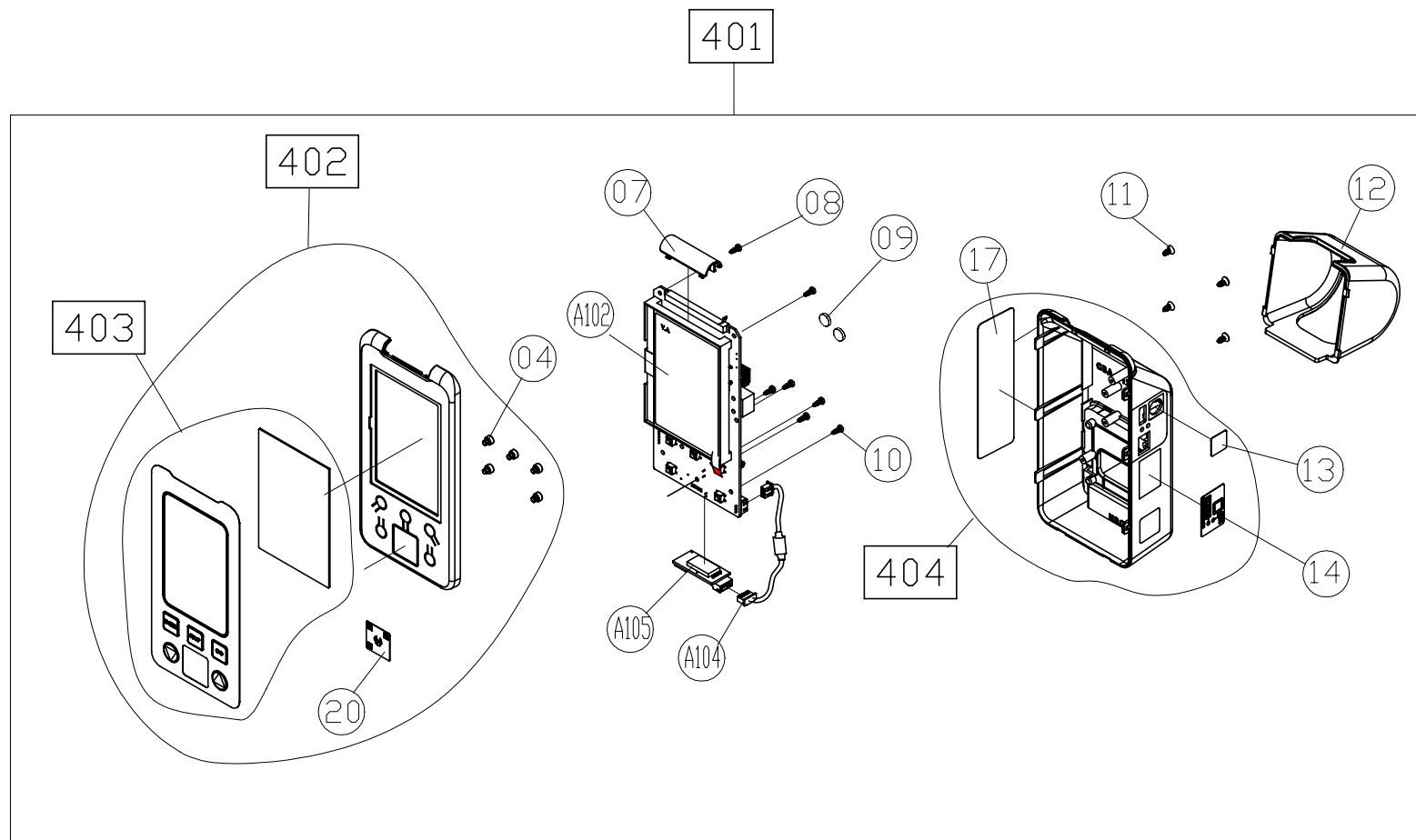
4

SA WELL+/SU BLE

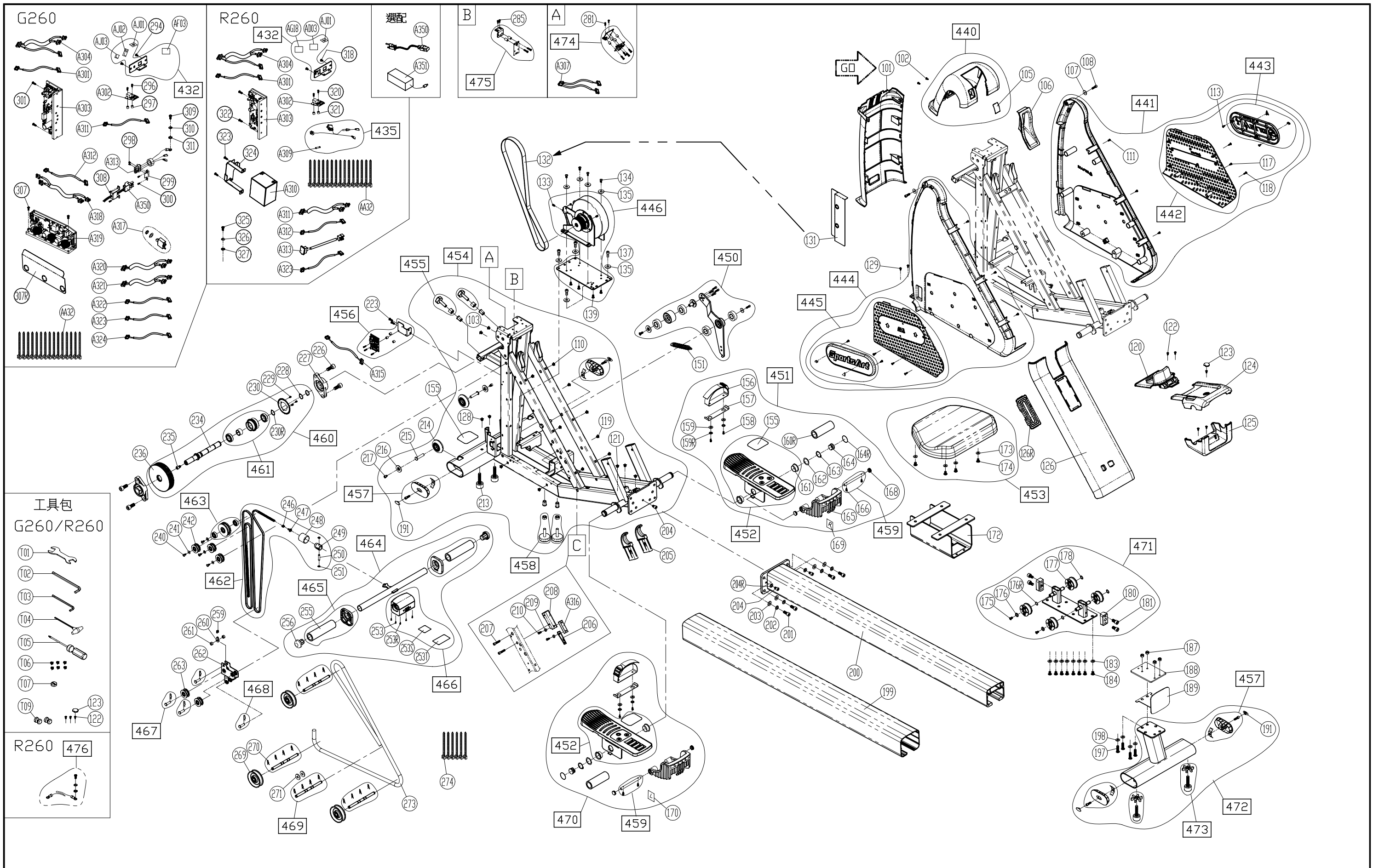
5

A351

CHANGE DATE	CHANGE DESCRIPTION	CHANGE NO.	NAME	<p>RESTRICTED USAGE , PLEASE DON'T FORWARD TO ANYONE WHO ISN'T AUTHORIZED</p>	DRAWN BY	UNITS	MM	SALES BLOW UP DIAGRAM	DIAGRAM NO.	RAA-F101A-A	
					VERIFIED BY	QTY	1				R260/G260
						VERSION	A0		XX	MODEL	
						RATIO	1:8				



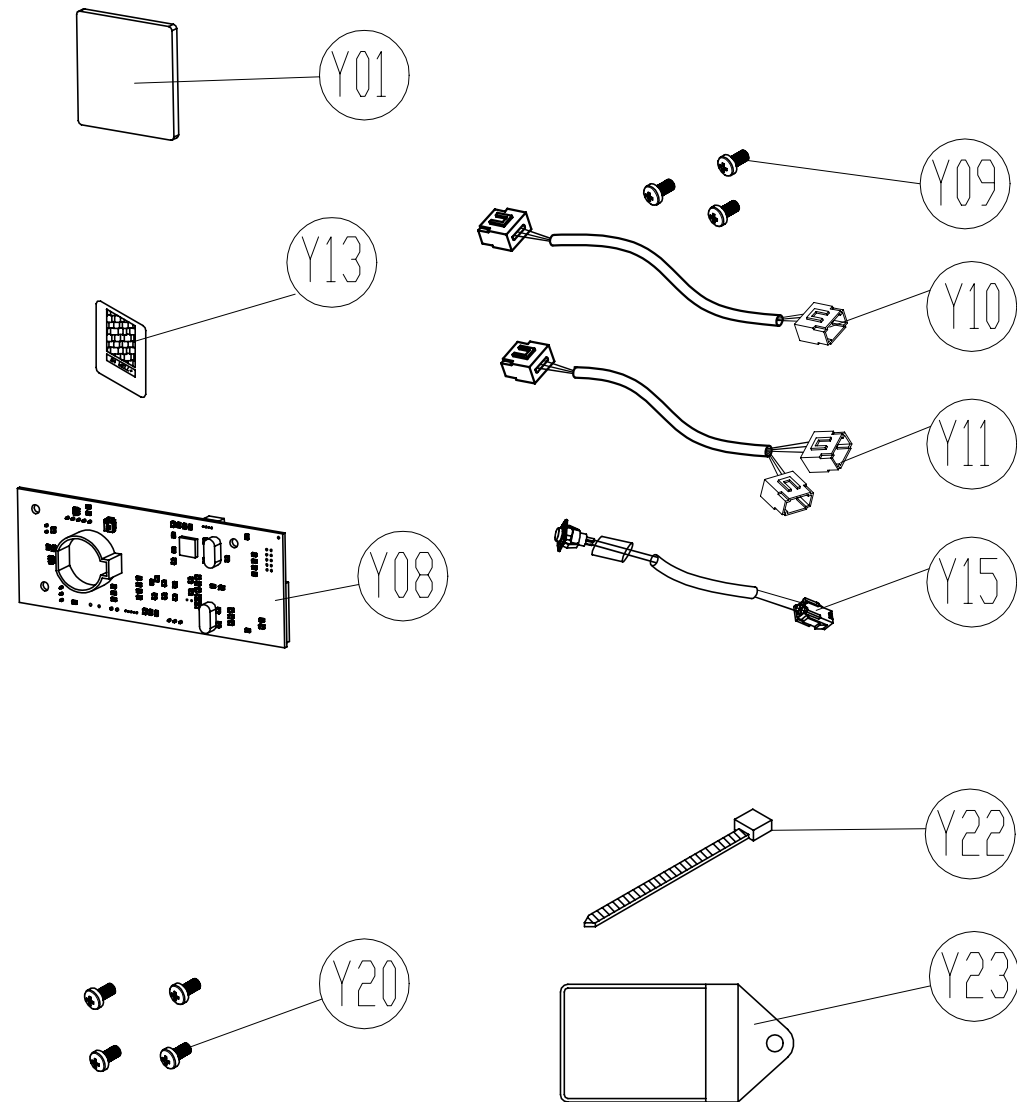
CHANGE DATE	CHANGE DESCRIPTION	CHANGE NO.	NAME	 RESTRICTED USAGE , PLEASE DON'T FORWARD TO ANYONE WHO ISN'T AUTHORIZED	DRAWN BY	UNITS	MM	SALES BLOW UP DIAGRAM	DIAGRAM NO.	RAA-F001B-A	
					VERIFIED BY	QTY	1				R260/G260
						VERSION	A0		XX	MODEL	
						RATIO	1:5				



CHANGE DATE	CHANGE DESCRIPTION	CHANGE NO.	NAME	 RESTRICTED USAGE , PLEASE DON'T FORWARD TO ANYONE WHO ISN'T AUTHORIZED	DRAWN BY	UNITS	MM	SALES BLOW UP DIAGRAM	DIAGRAM NO.	RAA-F001C-A R260/G260		
							QTY		1			
							VERSION		A0		XX	MODEL
							RATIO		1:15			

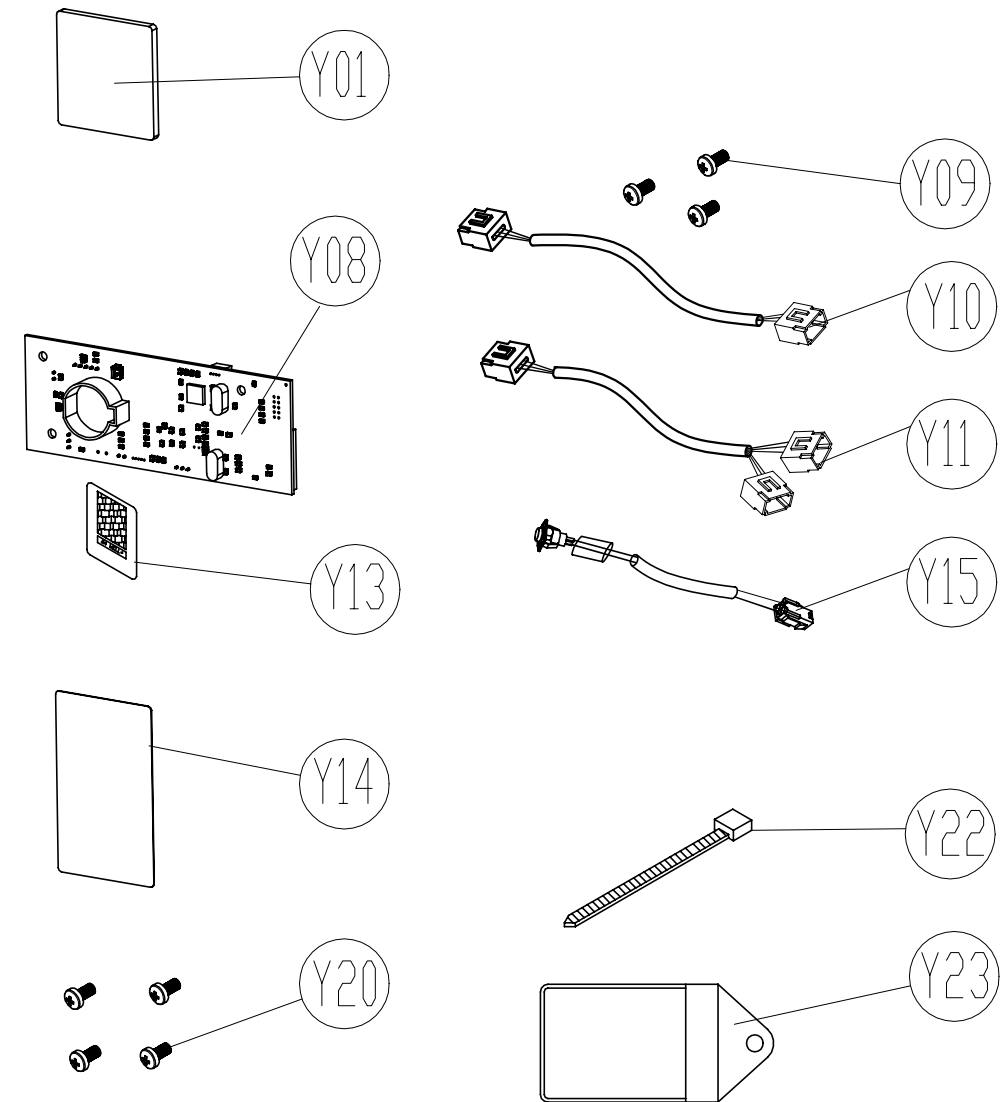
Y710

SU BLE



Y710

SA WELL+ WIFI



SA WELL+

CHANGE DATE	CHANGE DESCRIPTION	CHANGE NO.	NAME	 RESTRICTED USAGE , PLEASE DON'T FORWARD TO ANYONE WHO ISN'T AUTHORIZED	DRAWN BY	UNITS	MM	SALES BLOW UP DIAGRAM	DIAGRAM NO.	RAA-F101D-A	
					VERIFIED BY		QTY	1	XXX		R260/G260
							VERSION	A0		MODEL	CG516
							RATIO	1:2			