

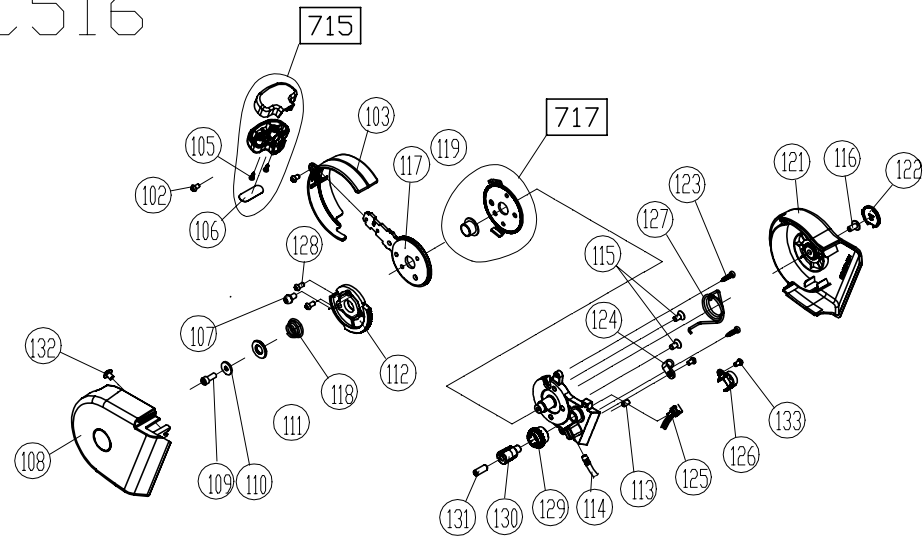
| No. | Diagram | Tool Needed | Part Number | components Number |
|-----|------------|------------------------------------|-------------------------|-------------------|
| 1 | CBA-F101B | LCD | ①04 ~ ②2 ①01 ~ ①04 | 701 ~ 704 |
| 2 | CBA-F101C | | ④1 ~ ④3 ③02 | 707 ~ 717 |
| 3 | CBA-F101D | | ④22 ~ ④44 | 731 ~ 735 |
| 4 | CBA-F101E | | ①61 ~ ③91 ③00 ③07 ~ ③30 | 741 ~ 760 |
| 5 | CBA-F101F | OPTIONS | F02 ~ F15 | F701 ~ F703 |
| 6 | RAA-F101D | SA WELL+/SU BLE OPTIONS | | Y710 |
| 7 | 1501991200 | ANT+ Cadence sensor-Option OPTIONS | | |
| 8 | 1200151200 | BLE Transmitter Belt OPTIONS | | |

| CHANGE DATE | CHANGE DESCRIPTION | CHANGE NO. | NAME |
|-------------|--------------------|------------|------|
| 202304.06 | 新增選配件 | | 張又仁 |
| | | | |
| | | | |

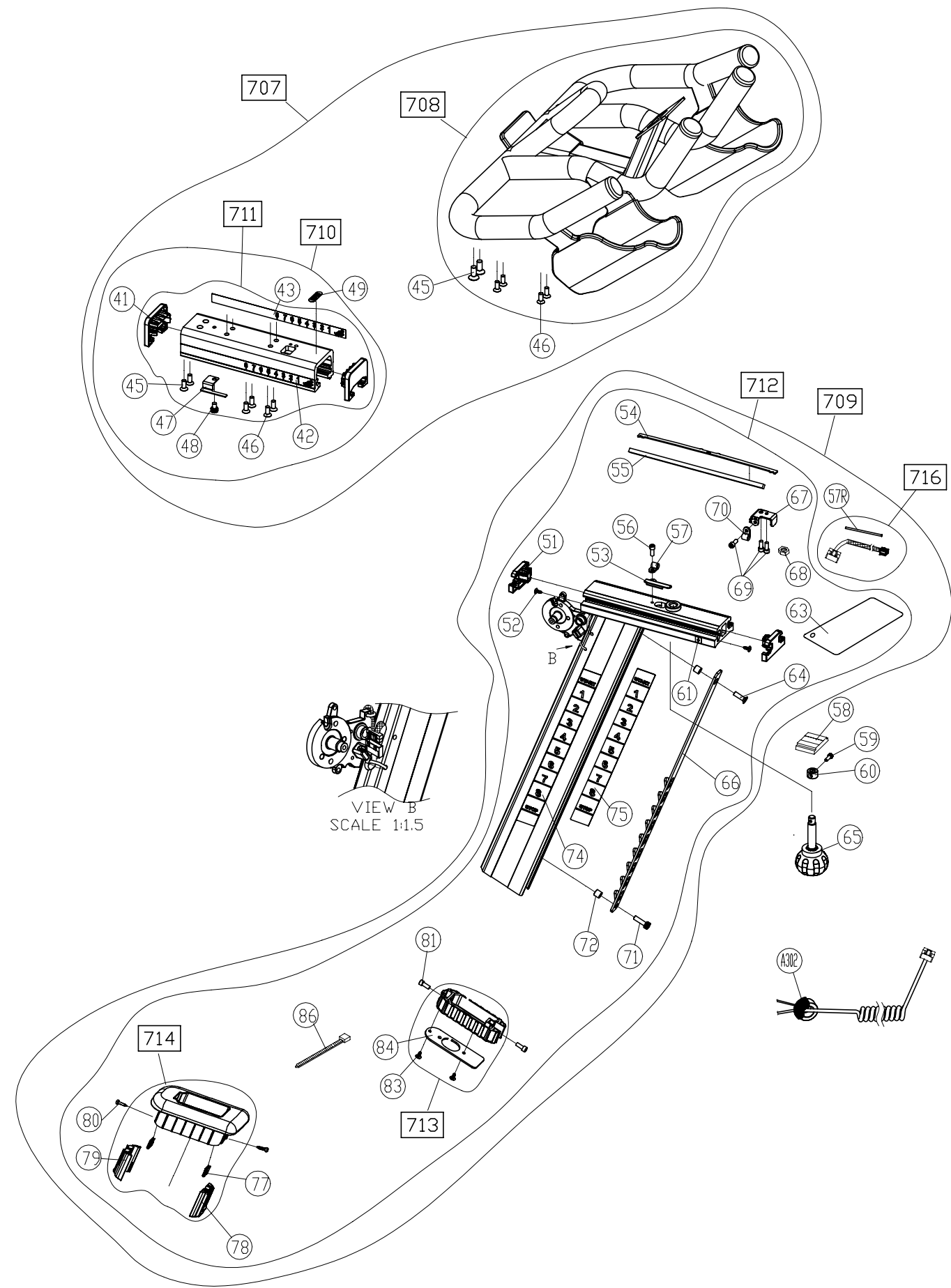
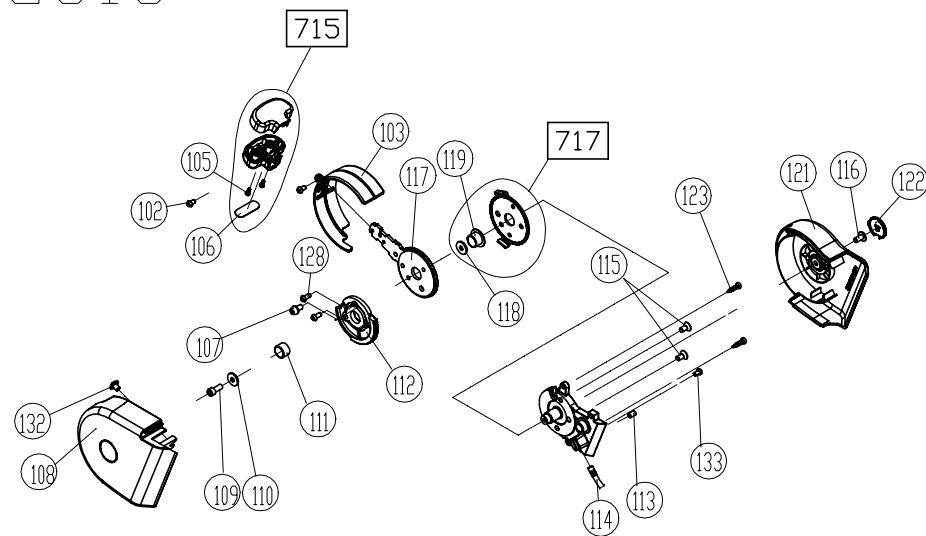
SportsArt
 FITNESS
 RESTRICTED USAGE ,
 PLEASE DON'T FORWARD TO ANYONE WHO ISN'T AUTHORIZED

| DRAWN BY | UNITS | MM | SALES BLOW UP DIAGRAM | DIAGRAM NO. | CBA-F101A-A |
|-------------|---------|------|-----------------------|-------------|--------------|
| | QTY | 1 | XX | MODEL | C516 G516 |
| VERIFIED BY | VERSION | A1 | | | |
| | RATIO | 1:10 | | | |

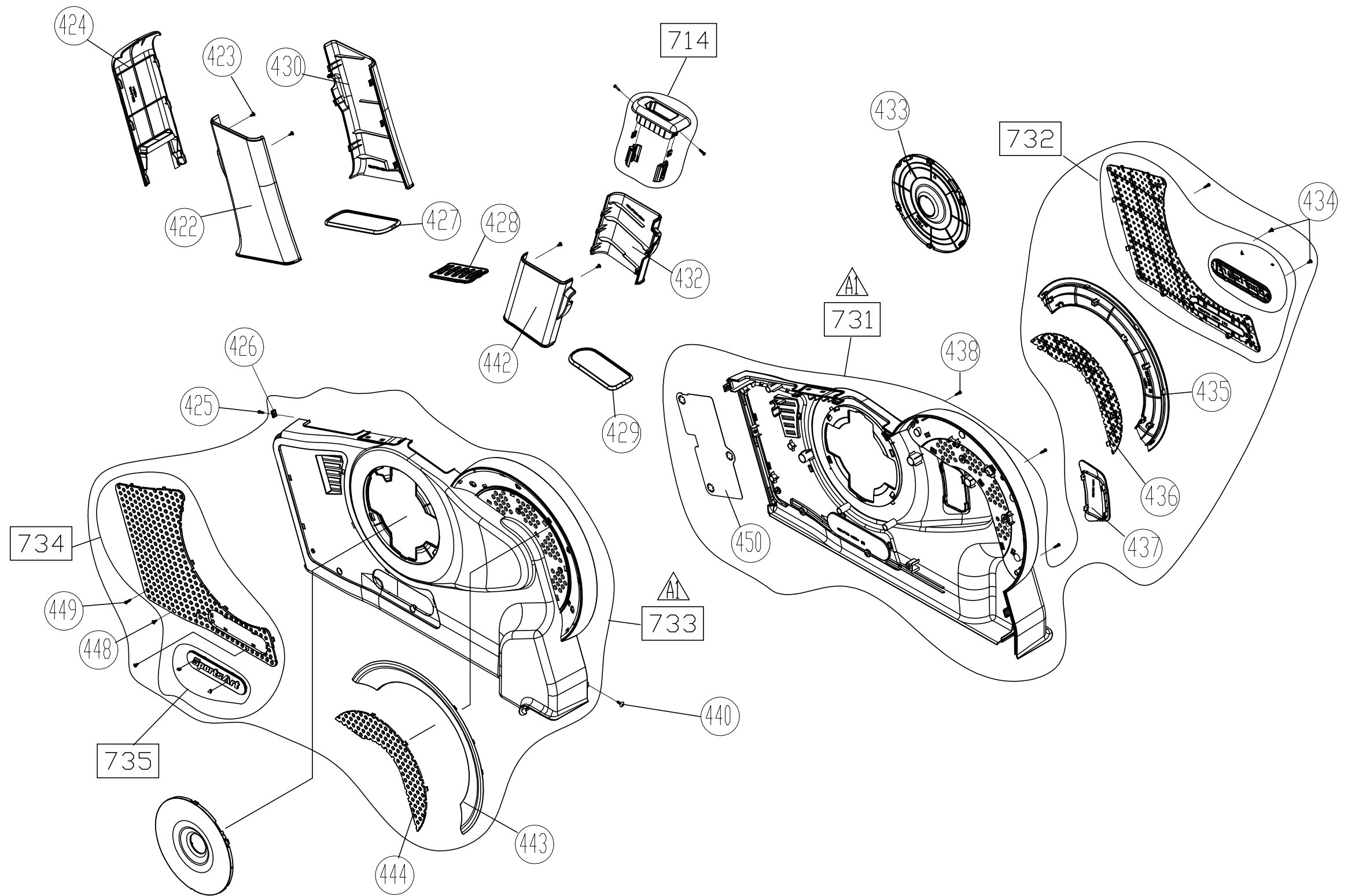
C516



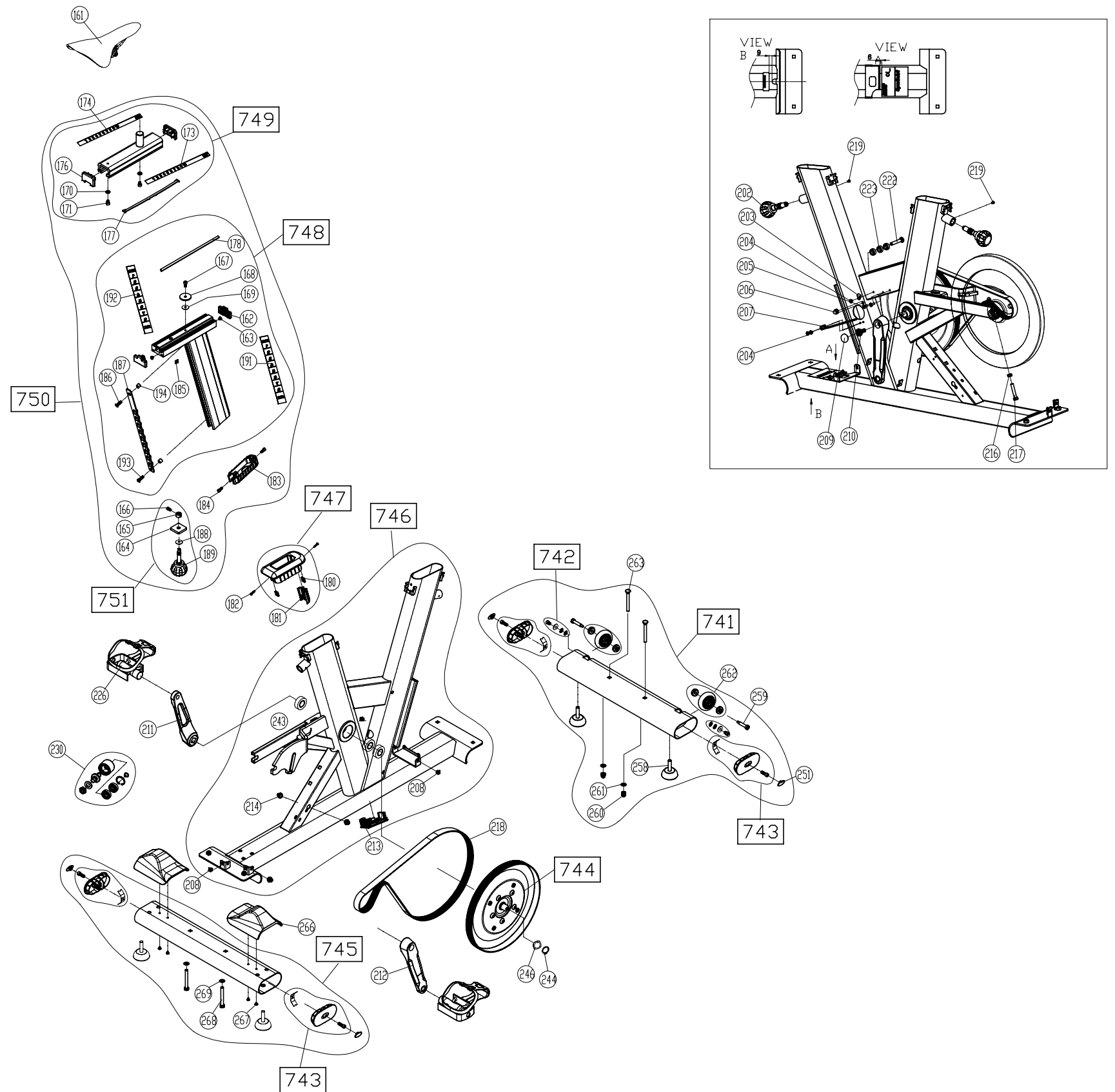
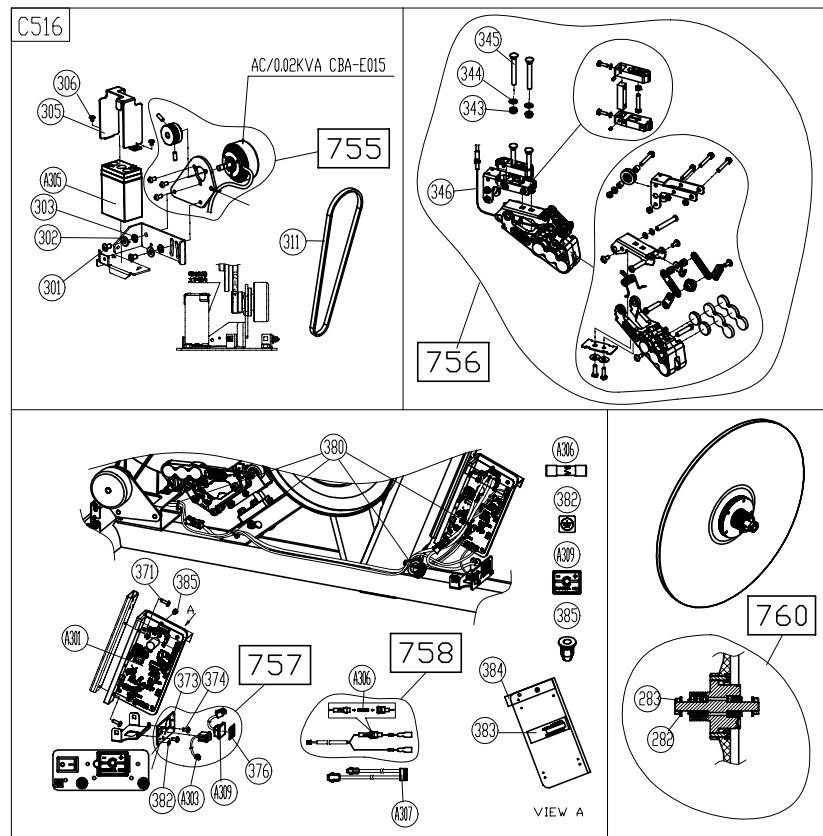
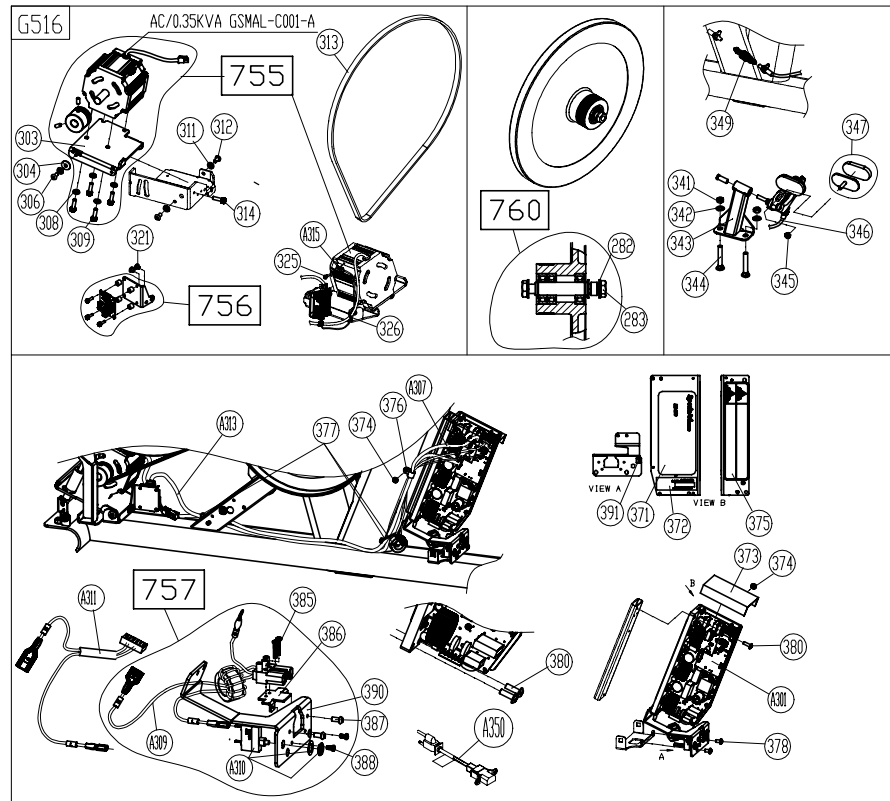
G516



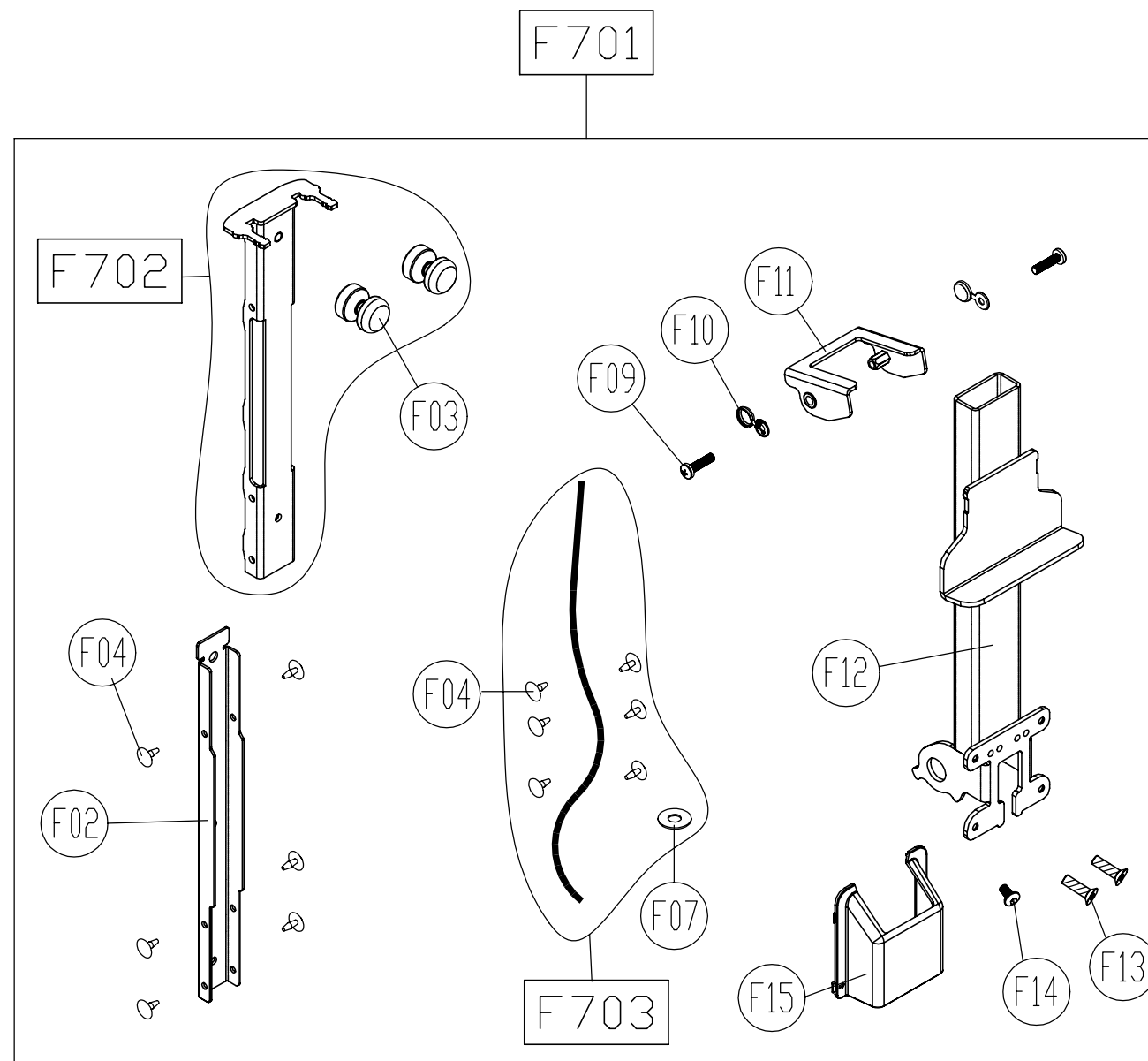
| CHANGE DATE | CHANGE DESCRIPTION | CHANGE NO. | NAME |  <p>RESTRICTED USAGE , PLEASE DON'T FORWARD TO ANYONE WHO ISN'T AUTHORIZED</p> | DRAWN BY | UNITS | MM | SALES BLOW UP DIAGRAM | DIAGRAM NO. | CBA-F001C-A | |
|-------------|--------------------------------|------------|------|---|-------------|---------|-----|-----------------------|-------------|-------------|-----------|
| 2021.11.11 | 件號(50) 扶手組改為不單寄, 新增組件號 707 708 | | 張又仁 | | VERIFIED BY | QTY | 1 | | | | G516/C516 |
| | | | | | | VERSION | A1 | XX | | MODEL | |
| | | | | | | RATIO | 1:8 | | | | |



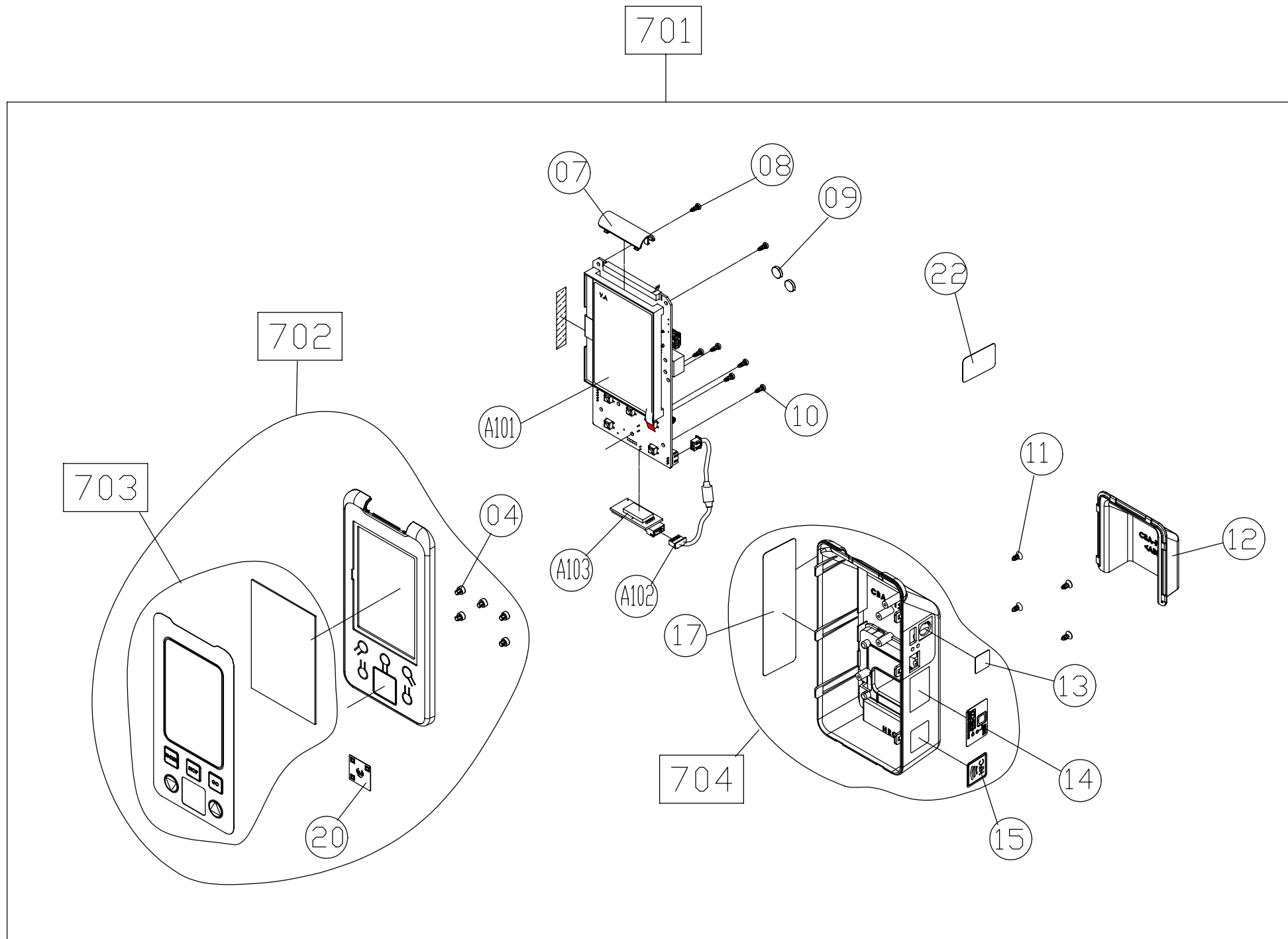
| CHANGE DATE | CHANGE DESCRIPTION | CHANGE NO. | NAME | RESTRICTED USAGE , PLEASE DON'T FORWARD TO ANYONE WHO ISN'T AUTHORIZED | DRAWN BY | UNITS | MM | SALES BLOW UP DIAGRAM | DIAGRAM NO. | CBA-F101D-A | |
|-------------|--------------------|------------|------|---|-------------|---------|------|-----------------------|-------------|-------------|-----------|
| 2024.01.12 | 修改 731 733 | | 張又仁 | | VERIFIED BY | QTY | 1 | XX | | MODEL | G516/C516 |
| | | | | | | VERSION | A1 | | | | |
| | | | | | | RATIO | 1:10 | | | | |



| CHANGE DATE | CHANGE DESCRIPTION | CHANGE NO. | NAME | <p>SportsArt FITNESS</p> <p>RESTRICTED USAGE, PLEASE DON'T FORWARD TO ANYONE WHO ISN'T AUTHORIZED</p> | DRAWN BY | UNITS | MM | SALES BLOW UP DIAGRAM | DIAGRAM NO. | CBA-F101E-A | |
|-------------|--------------------|------------|------|--|-------------|---------|------|-----------------------|-------------|-------------|-----------|
| | | | | | VERIFIED BY | QTY | 1 | | | | G516/C516 |
| | | | | | | VERSION | A0 | | XX | MODEL | |
| | | | | | | RATIO | 1:15 | | | | |



| CHANGE DATE | CHANGE DESCRIPTION | CHANGE NO. | NAME | <p style="text-align: center;">SportsArt FITNESS</p> <p style="text-align: center;">RESTRICTED USAGE , PLEASE DON'T FORWARD TO ANYONE WHO ISN'T AUTHORIZED</p> | DRAWN BY | UNITS | MM | SALES BLOW UP DIAGRAM | DIAGRAM NO. | CBA-F101F-A | |
|-------------|--------------------|------------|------|---|-------------|---------|-----|-----------------------|-------------|-------------|-----------|
| | | | | | VERIFIED BY | QTY | 1 | | XX | MODEL | G516/C516 |
| | | | | | | VERSION | A0 | | | | |
| | | | | | | RATIO | 1:4 | | | | |



| | | | | | | | | | | |
|-------------|--------------------|------------|------|---|-------------|---------|-----|-----------------------|-------------|-------------|
| CHANGE DATE | CHANGE DESCRIPTION | CHANGE NO. | NAME | <p align="center">SportsArt FITNESS</p> <p align="center">RESTRICTED USAGE , PLEASE DON'T FORWARD TO ANYONE WHO ISN'T AUTHORIZED</p> | DRAWN BY | UNITS | MM | SALES BLOW UP DIAGRAM | DIAGRAM NO. | CBA-F001B-A |
| | | | | | VERIFIED BY | QTY | 1 | XX | MODEL | G516/C516 |
| | | | | | | VERSION | A0 | | | |
| | | | | | | RATIO | 1:4 | | | |