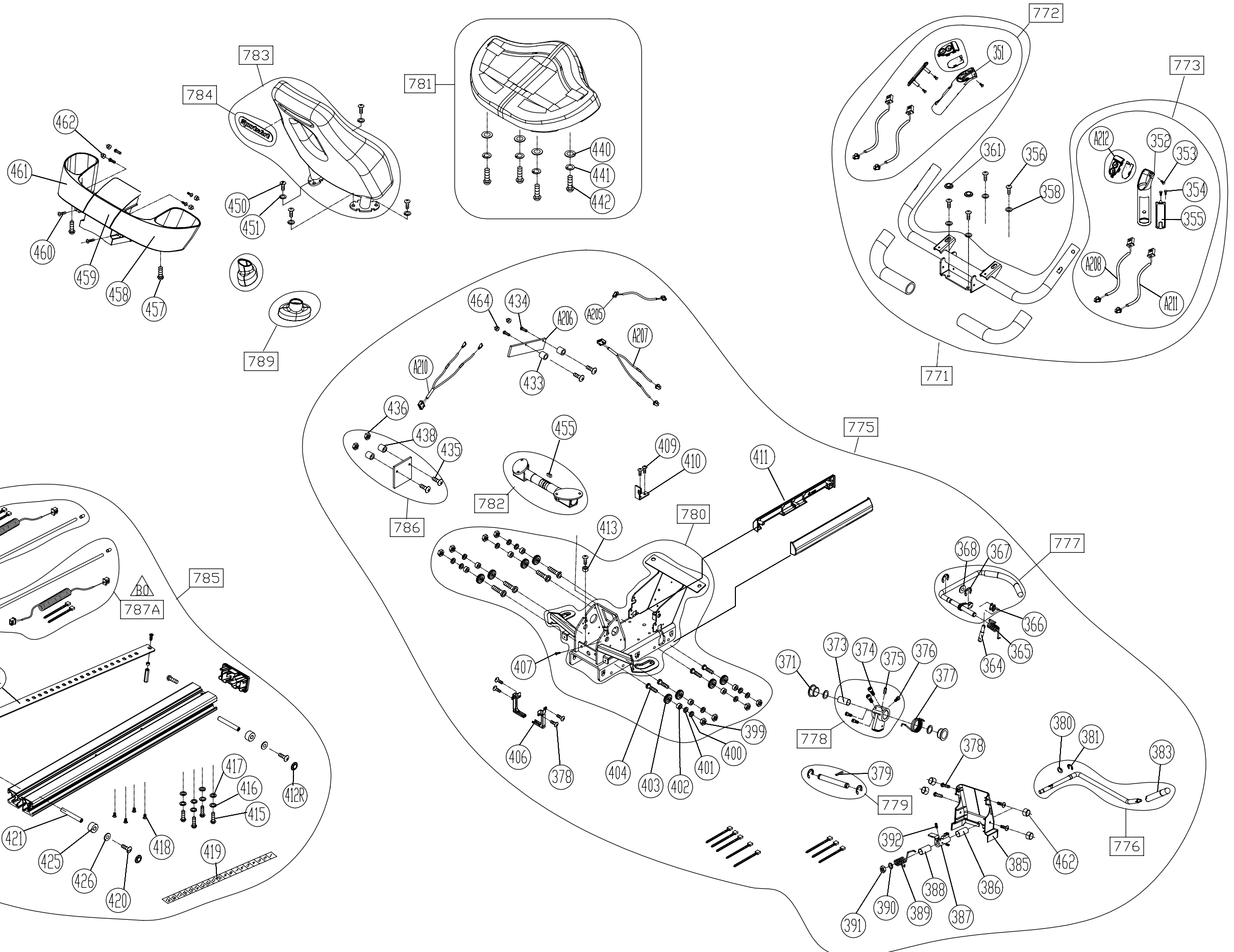
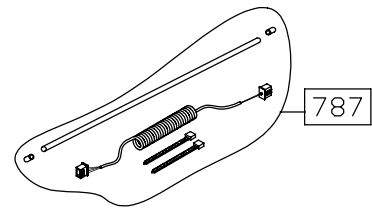
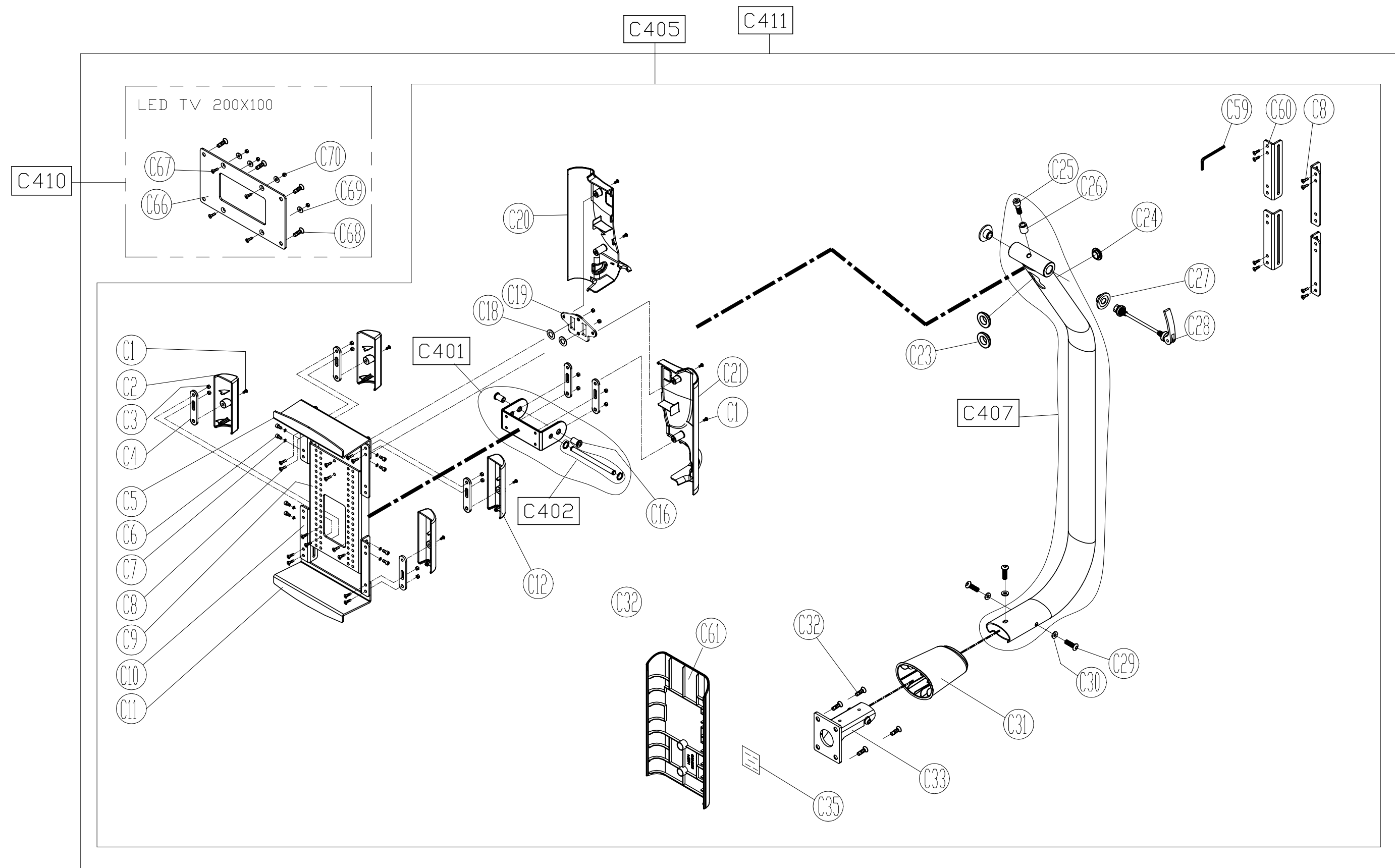


CHANGE DATE	CHANGE DESCRIPTION	CHANGE NO.	NAME	 RESTRICTED USAGE , PLEASE DON'T FORWARD TO ANYONE WHO ISN'T AUTHORIZED	DRAWN BY	UNITS	MM	SALES BLOW UP DIAGRAM	DIAGRAM NO.	CAZ-F101B-A	
					VERIFIED BY	QTY	1				C574R
						VERSION	A0		XX	MODEL	
						RATIO	1:8				

For old modles
(S/N:0408233~0415876)

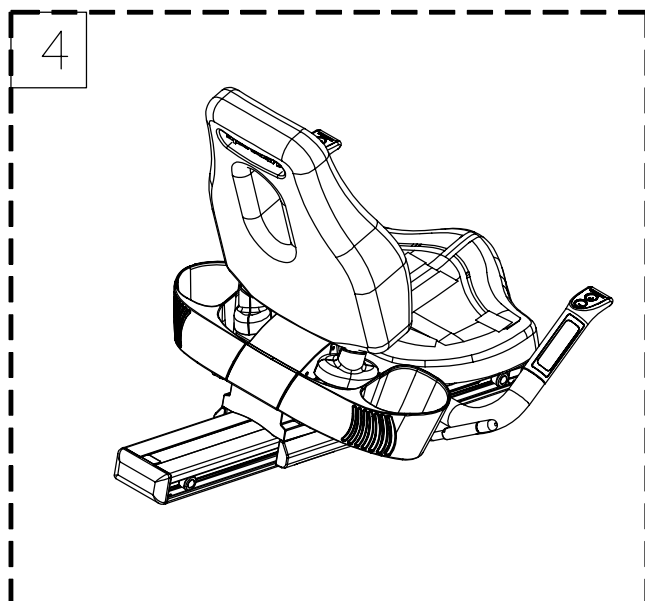
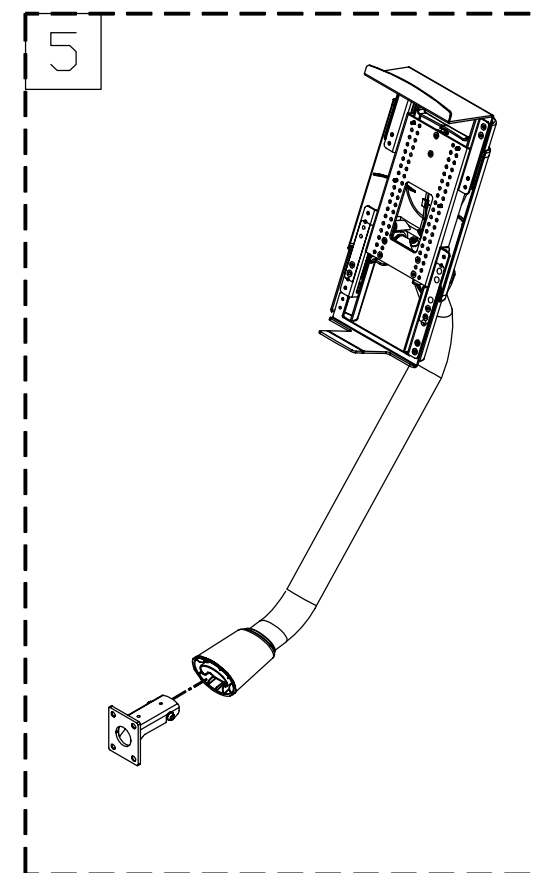
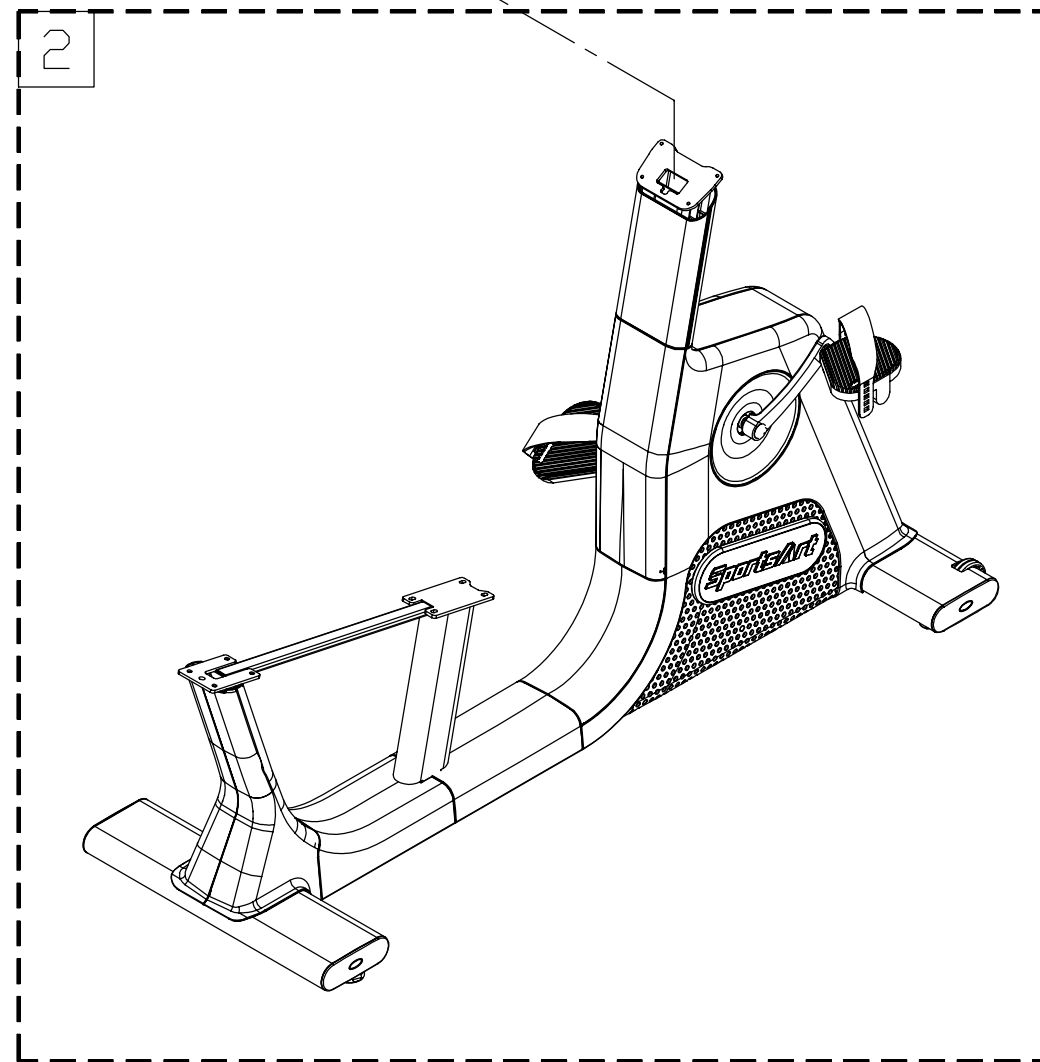
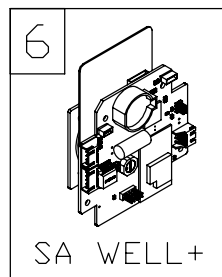
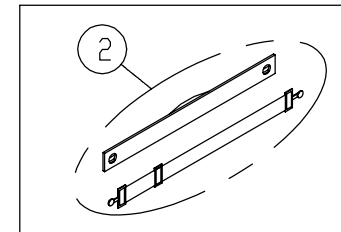
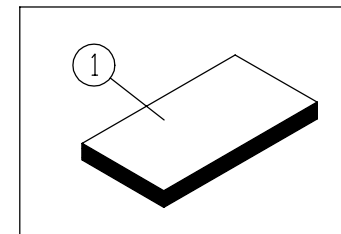
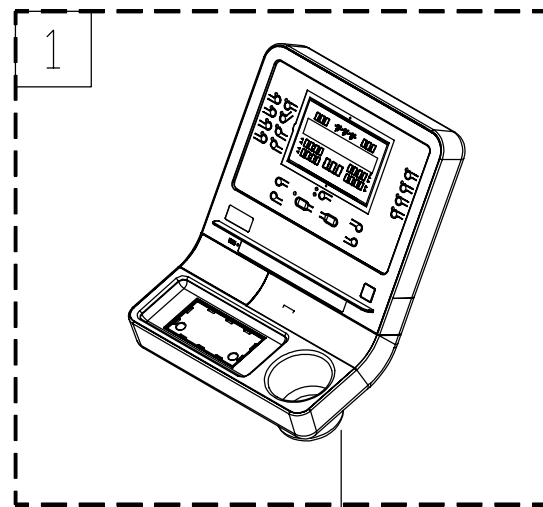


CHANGE DATE	CHANGE DESCRIPTION	CHANGE NO.	NAME	<p>RESTRICTED USAGE , PLEASE DON'T FORWARD TO ANYONE WHO ISN'T AUTHORIZED</p>	DRAWN BY	UNITS	MM	SALES BLOW UP DIAGRAM	DIAGRAM NO.	MODEL	
2021.05.04	因新舊不共用, 新增 787A	03-20201005T	嚴偉碩		VERIFIED BY	QTY	1	XXX			CAZ-F101D-B
						VERSION	B0				C574R/G574R
						RATIO	1:12				C574R 13IN

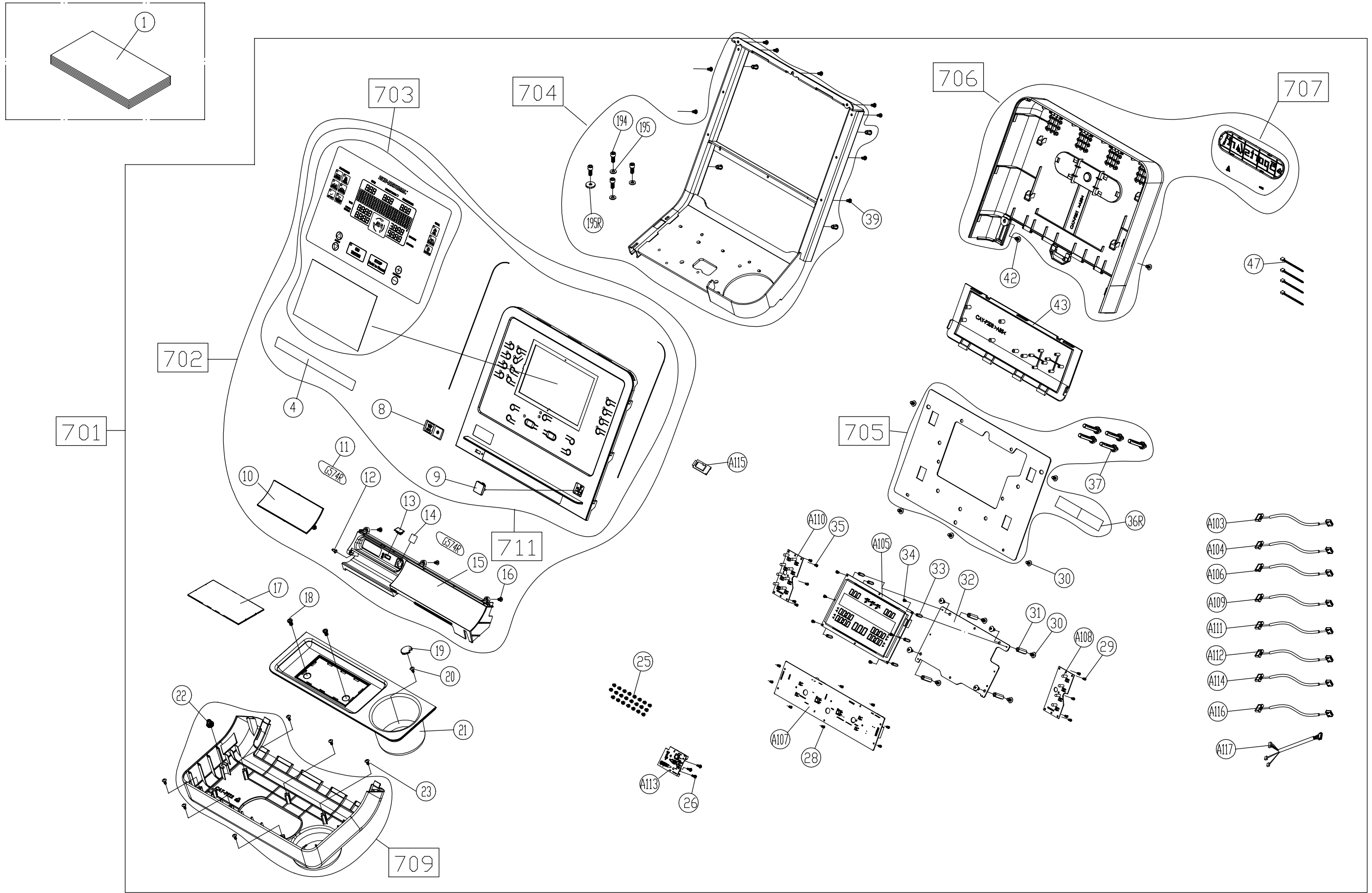


CHANGE DATE	CHANGE DESCRIPTION	CHANGE NO.	NAME	 RESTRICTED USAGE , PLEASE DON'T FORWARD TO ANYONE WHO ISN'T AUTHORIZED	DRAWN BY	UNITS	MM	SALES BLOW UP DIAGRAM	DIAGRAM NO.	CAZ-F101E-A	
					VERIFIED BY	QTY					C574R/G574R
						VERSION	A0		XX	MODEL	C573R/G573R
						RATIO	1:6				

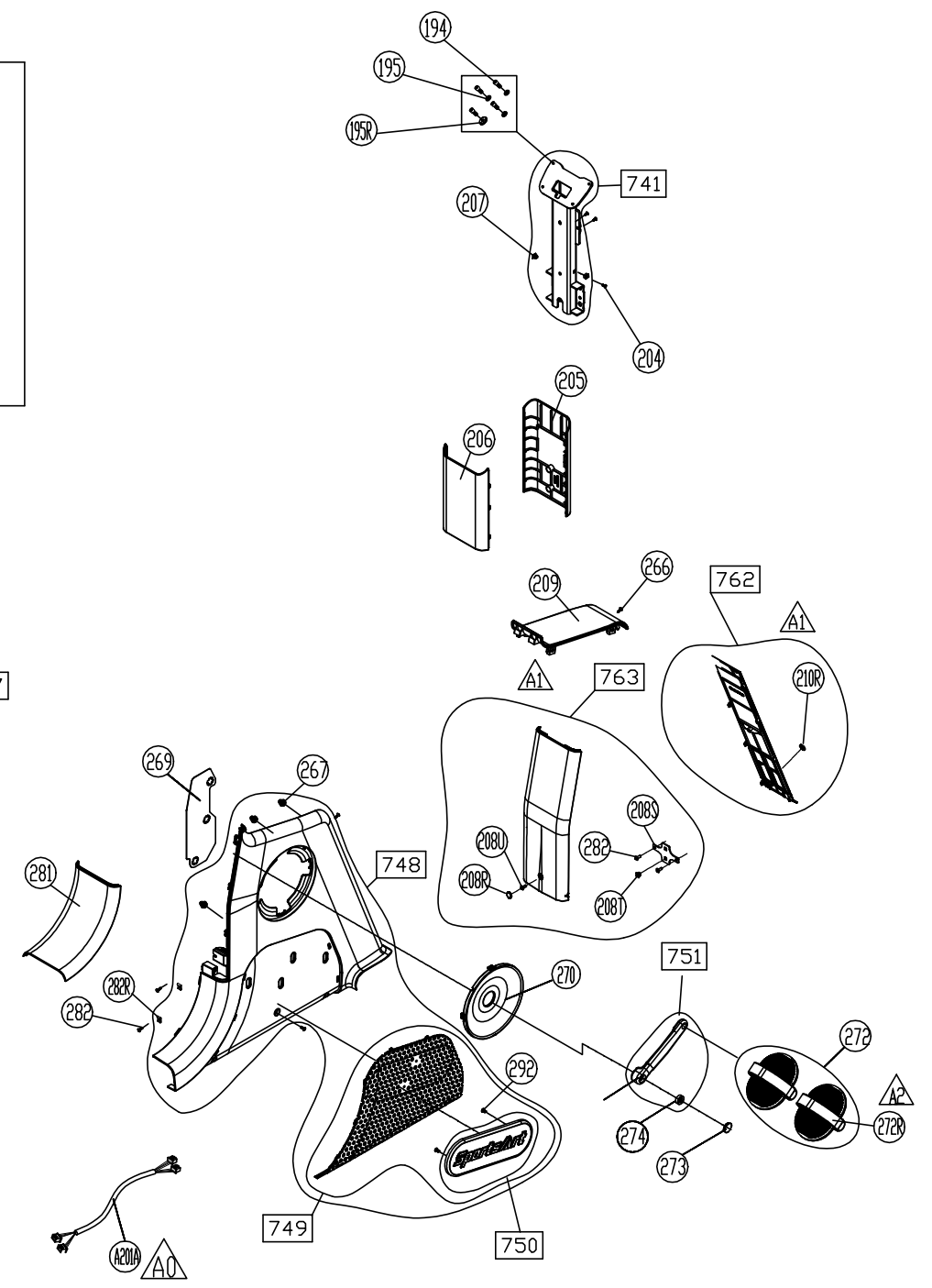
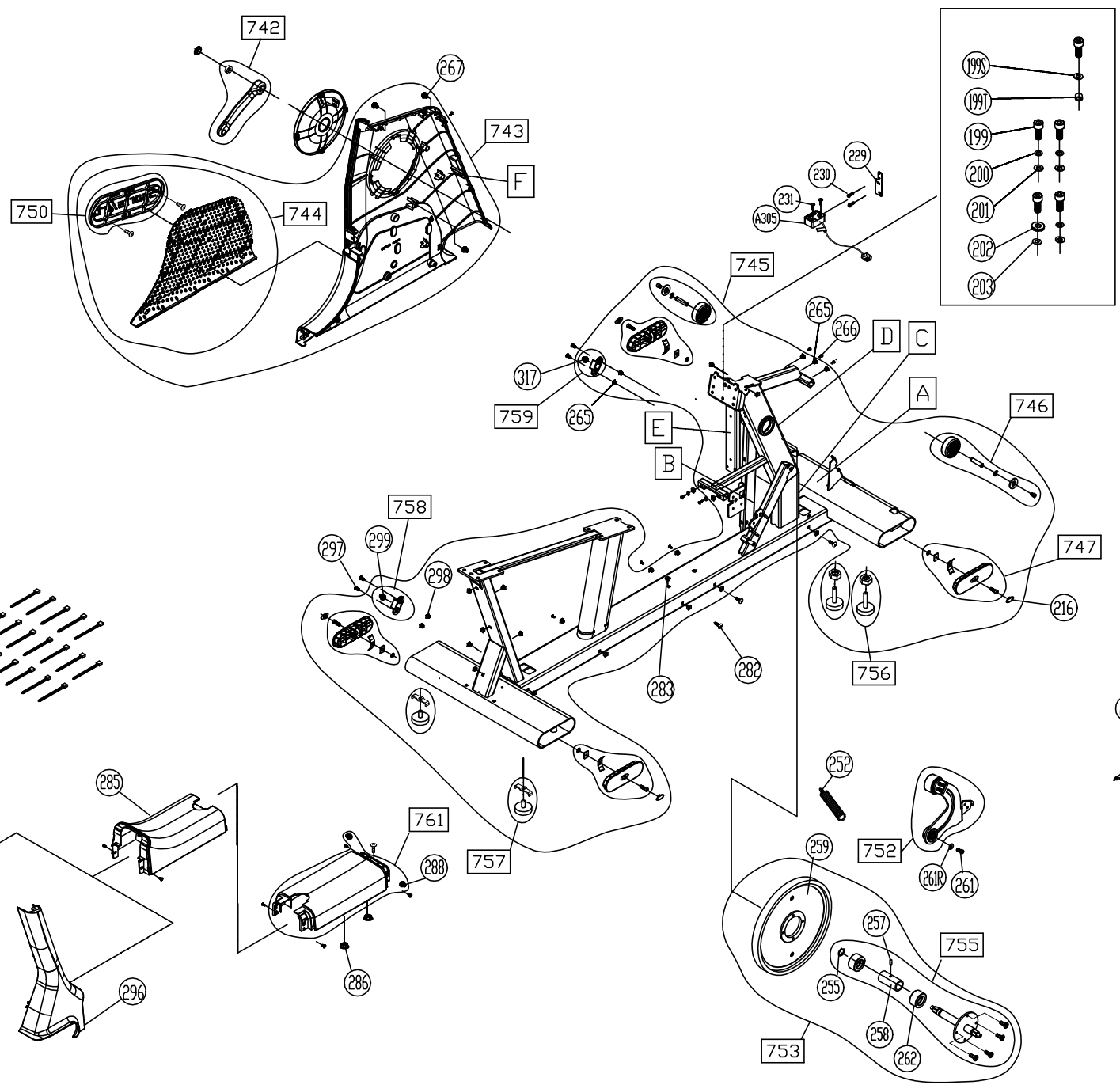
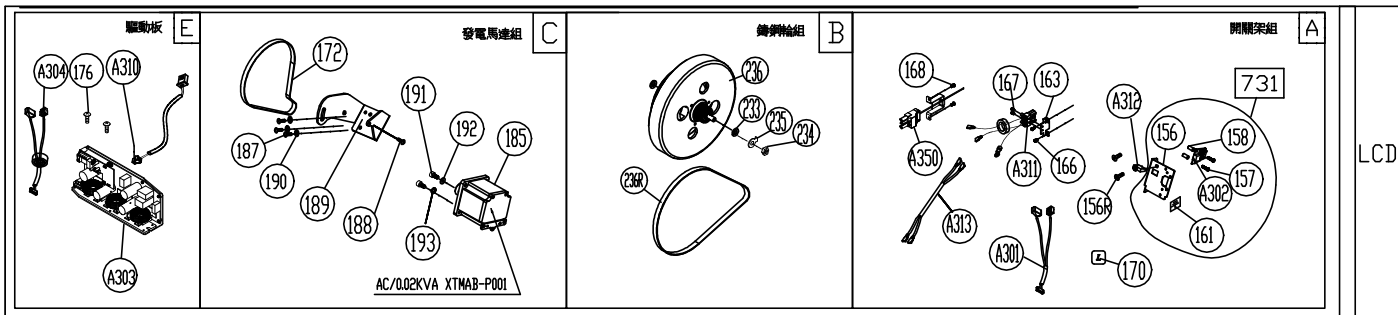
No.	Diagram	Tool Needed
1	CAZ-F102B	LCD
2	CAZ-F102C	
3		
4	CAZ-F101D	
5	CAZ-F101E	外掛電視架 OPTIONS
6	TBR-F101G	OPTIONS



CHANGE DATE	CHANGE DESCRIPTION	CHANGE NO.	NAME	 RESTRICTED USAGE , PLEASE DON'T FORWARD TO ANYONE WHO ISN'T AUTHORIZED	DRAWN BY	UNITS	MM	SALES BLOW UP DIAGRAM	DIAGRAM NO.	CAZ-F102A-A	
							QTY	1	XX	MODEL	G574R
							VERSION	A0			
							RATIO	1:12			



CHANGE DATE	CHANGE DESCRIPTION	CHANGE NO.	NAME	 RESTRICTED USAGE , PLEASE DON'T FORWARD TO ANYONE WHO ISN'T AUTHORIZED	DRAWN BY	UNITS	MM	SALES BLOW UP DIAGRAM	DIAGRAM NO.	CAZ-F102B-A	
					VERIFIED BY	QTY	1				G574R
						VERSION	A0	XX		MODEL	
						RATIO	1:8				



For old modles (S/N:0408233~0415876)

CHANGE DATE	CHANGE DESCRIPTION	CHANGE NO.	NAME	SportsArt	DRAWN BY	UNITS	MM	SALES BLOW UP DIAGRAM	DIAGRAM NO.	CAZ-F102C-A
2021.05.04	因新舊不共用, 新增 (A20A)	03-20201005T	嚴偉碩			VERIFIED BY	QTY		1	
2023.03.31	維修蓋修改異動, 新增組件 762 763	03-20230313M	潘衍耀	RATIO	VERSION	A2				
2024.10.17	新增 (A2)		張又仁		RATIO	1:18				

RESTRICTED USAGE ,
PLEASE DON'T FORWARD TO ANYONE WHO ISN'T AUTHORIZED