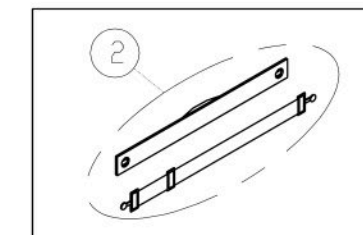
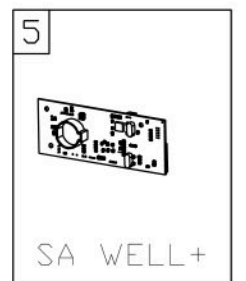
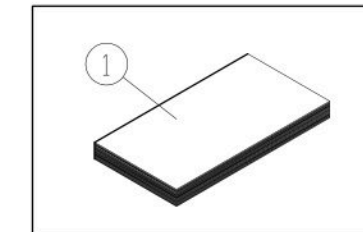
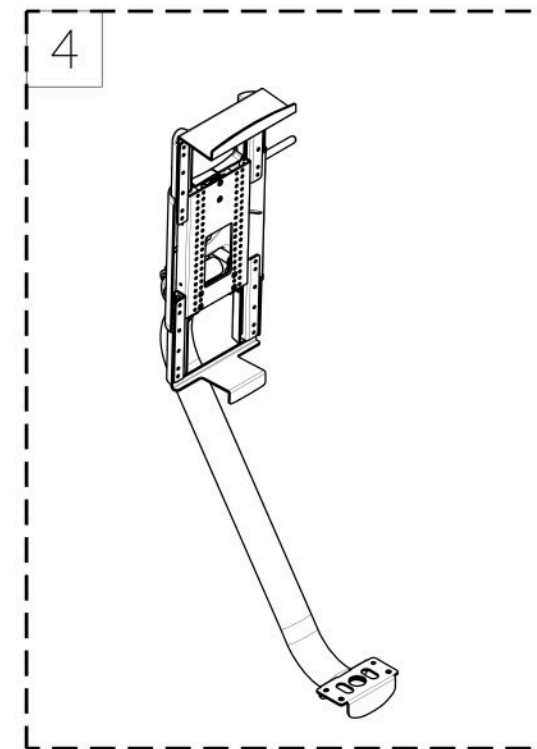
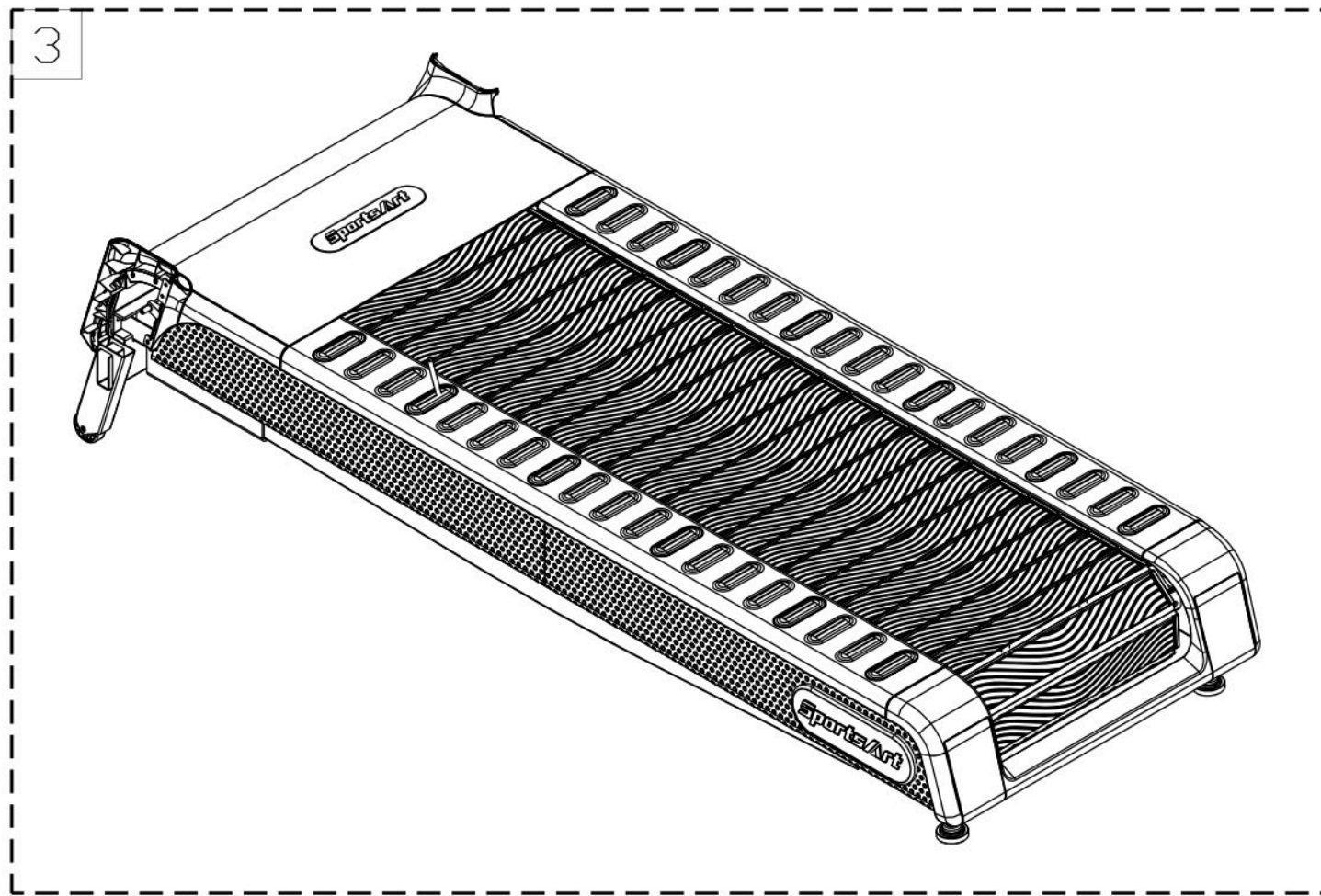
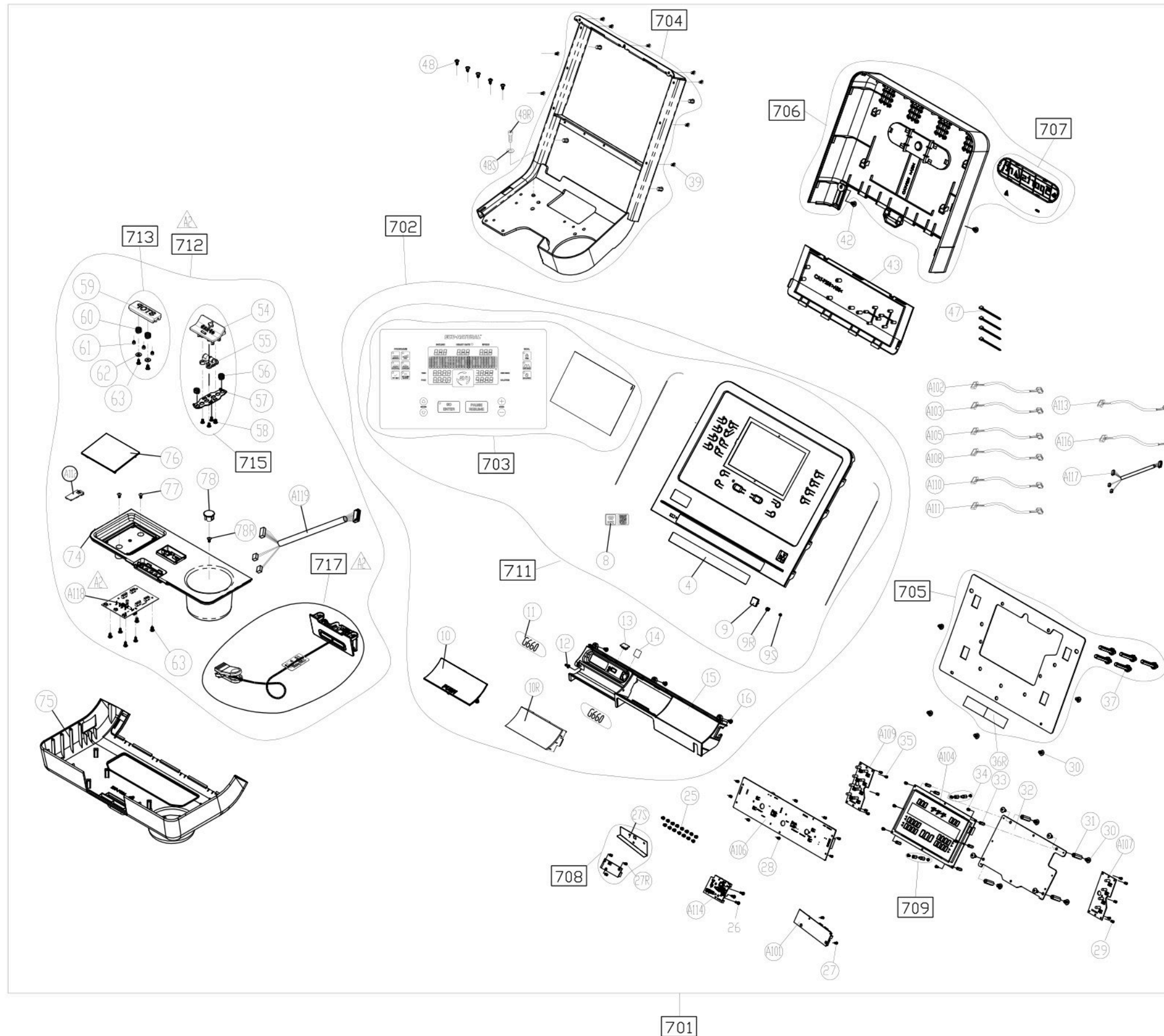


No.	Diagram	Tool Needed	Part Number	components Number
1	TBW-F101B	LCD	① ~ 78R A101 ~ A119	701 ~ 717
2	TBW-F101C		81 ~ 184 A201 ~ A206	730 ~ 752
3	TBW-F101D		211 ~ 345 A303 A306 ~ A310	760 ~ 789
	TBW-F101E		371 ~ 431	801 ~ 812
	TBW-F101F		438 ~ 596 A301 A302 A304 A305 A350 A311 ~ A320 A38 A46 A49 A54	831 ~ 847
4	TBT-F102G	OPTIONS	C01 ~ C70	C401 ~ C411
5	TBR-F101G	OPTIONS	Y01 ~ Y24	Y710

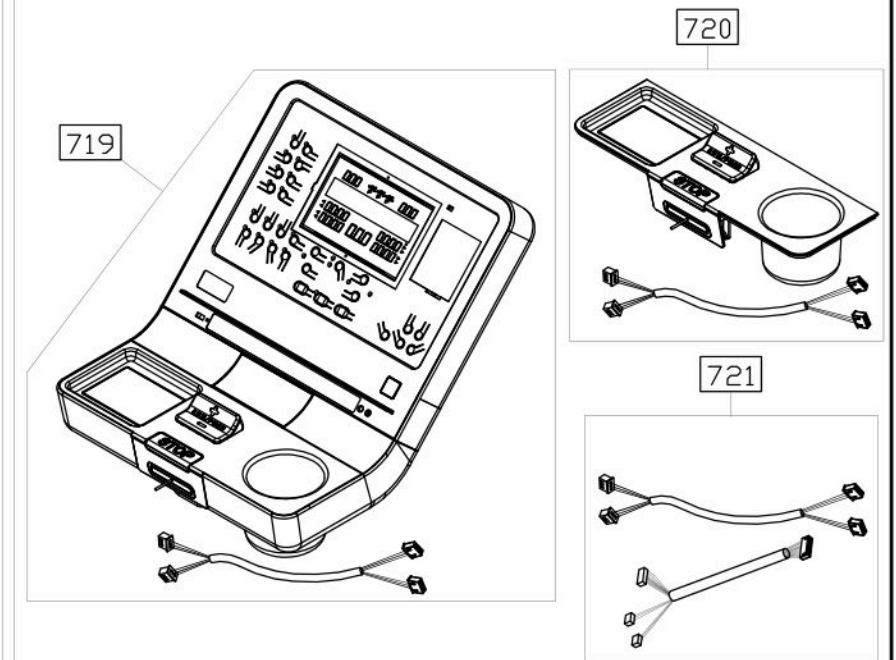


CHANGE DATE	CHANGE DESCRIPTION	CHANGE NO.	NAME	 RESTRICTED USAGE , PLEASE DON'T FORWARD TO ANYONE WHO ISN'T AUTHORIZED	DRAWN BY	UNITS	MM	SALES BLOW UP DIAGRAM	DIAGRAM NO.	TBW-F101A-A	
	⚠				VERIFIED BY	QTY	1		XX	MODEL	G660
						VERSION	A0				
						RATIO	1:12				



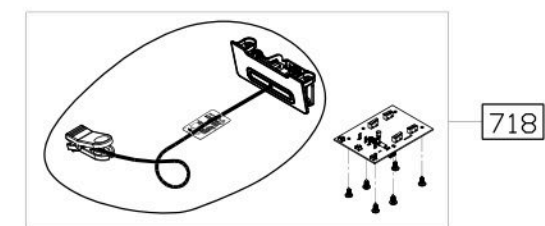
OLD→NEW 
 Please Note:
 For G660 before S/N:0417314BM

1. If you haven't replaced **719**, and if you want to replace **701** each of them, please send **719** for replacement.
2. If you haven't replaced **720**, and if you want to replace **712** each of them, please send **720** for replacement.
3. If you haven't replaced **721**, and if you want to replace **A119/A215** each of them, please send **721** for replacement.



OLD→NEW 
 Please Note:
 For G660 before S/N:0438908BM

1. If you haven't replaced **718**, and if you want to replace **717/A118**, please send **718** for replacement.

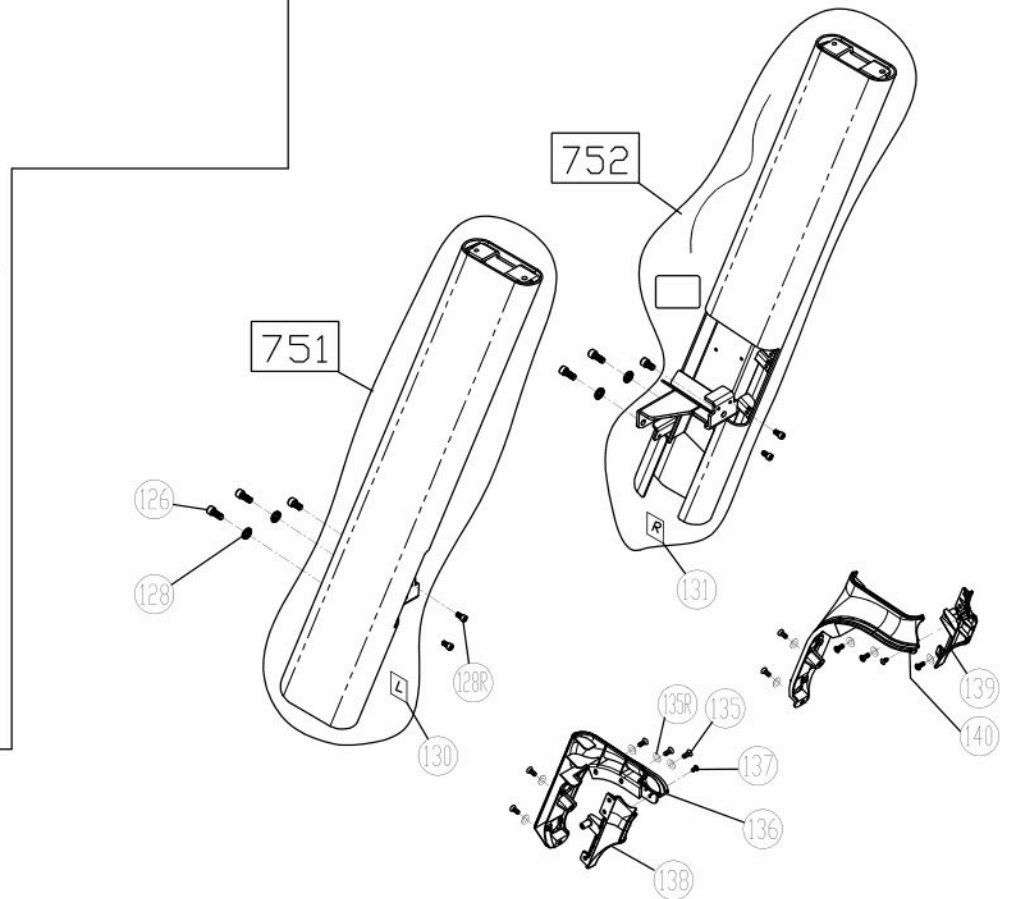
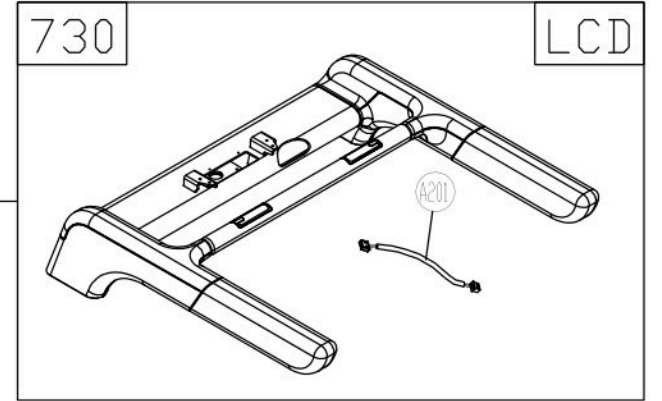
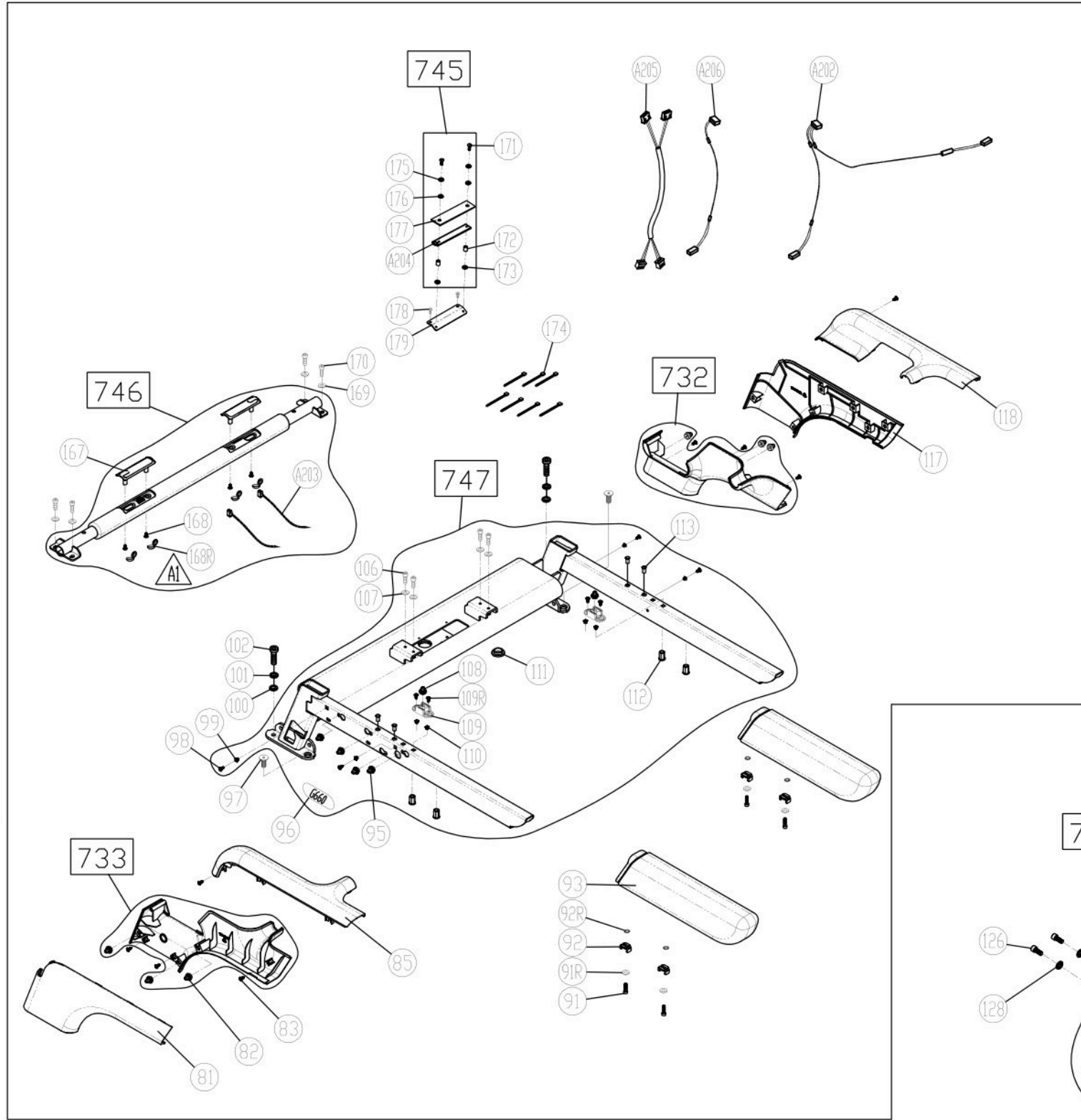
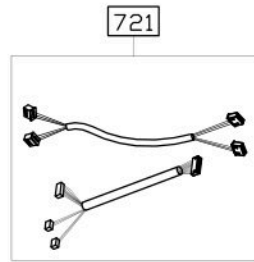
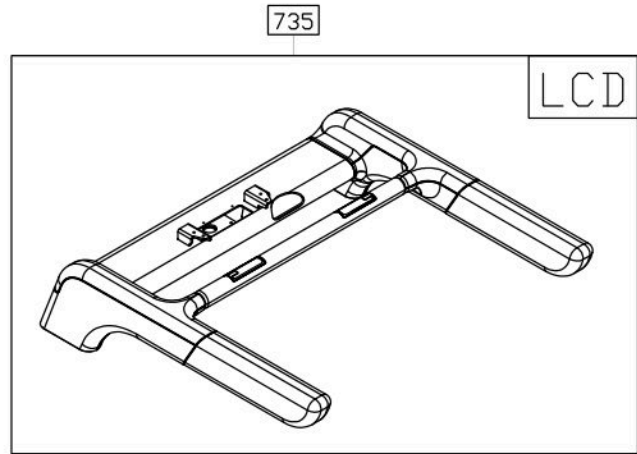


CHANGE DATE	CHANGE DESCRIPTION	CHANGE NO.	NAME	SPORTSART FITNESS	DRAWN BY	UNITS	MM	SALES BLOW UP DIAGRAM	DIAGRAM NO.	TBW-F101B-B
2021.08.02	 取消 49 50 51		吳冠惠	RESTRICTED USAGE, PLEASE DON'T FORWARD TO ANYONE WHO ISN'T AUTHORIZED		QTY	1			G660 LCD
2024.01.02	 新增 718 修改 712 717 A118	02-20240103T	高望銜		VERIFIED BY	VERSION	B0	XX	MODEL	
2024.02.22	 配合設變新增舊換新 719 720 721	02-20200809T	顏志達			RATIO	1:10			

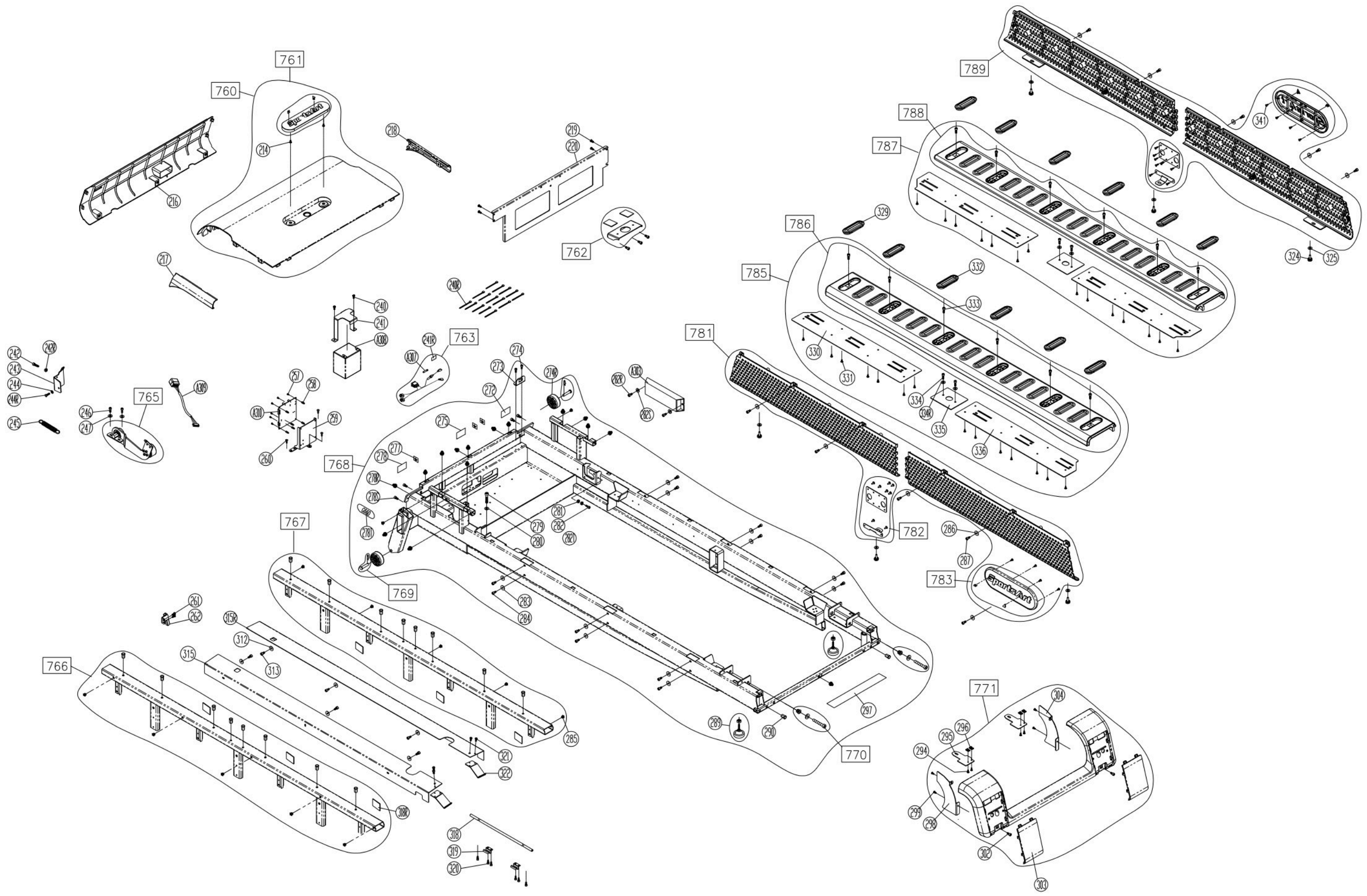
OLD→NEW 

Please Note:
For G660 before S/N:0417314BM

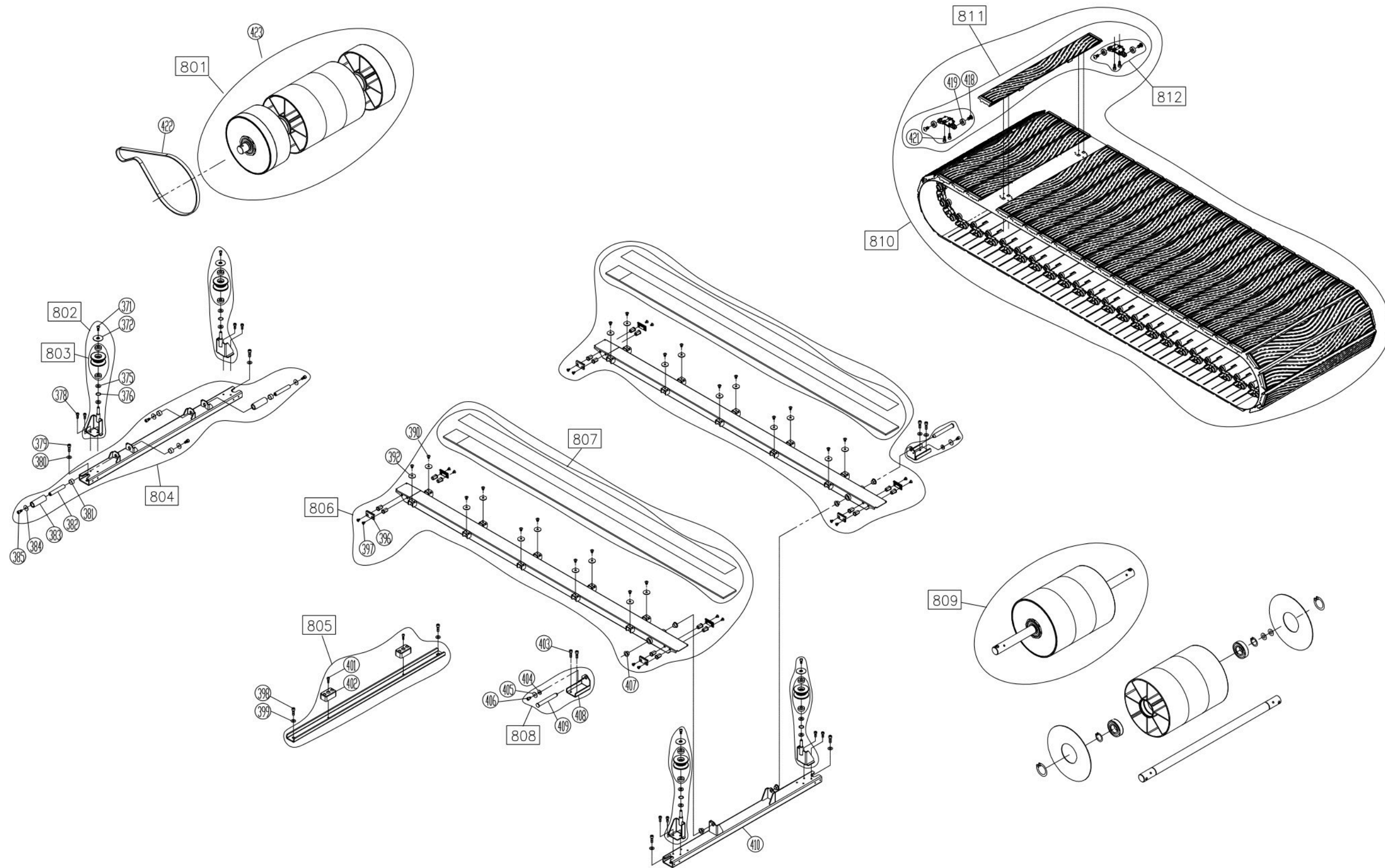
1. If you haven't replaced **735**, and if you want to replace **730** each of them, please send **735** for replacement
2. If you haven't replaced **721**, and if you want to replace **721** each of them, please send **721** for replacement .



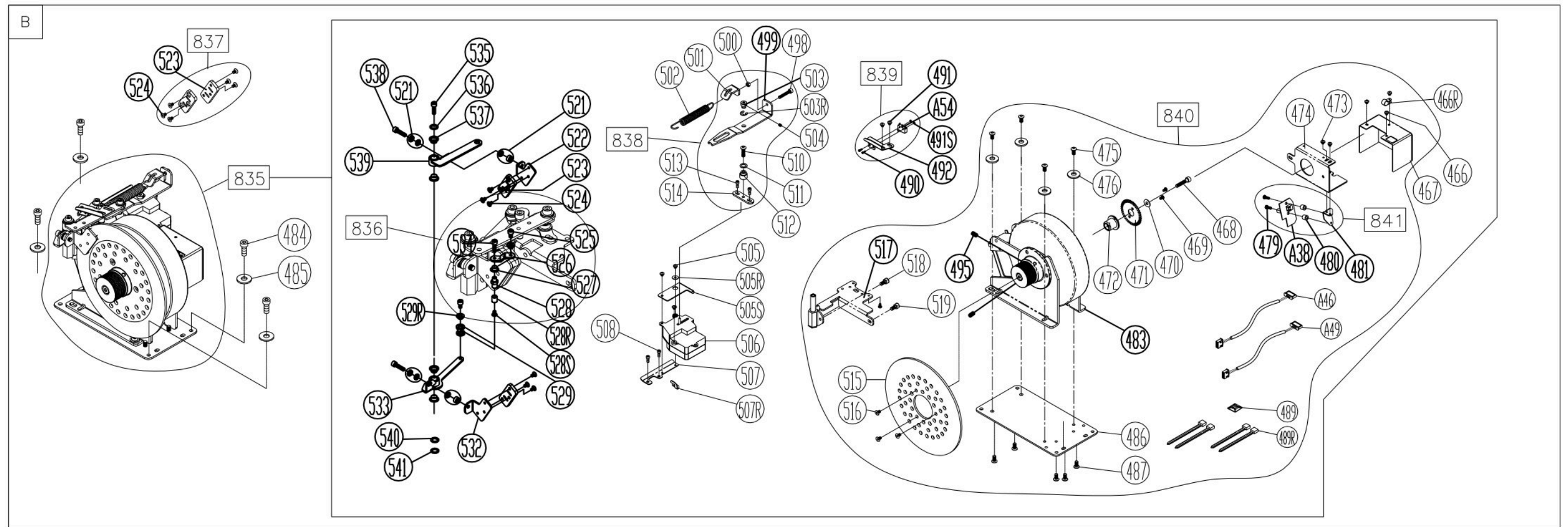
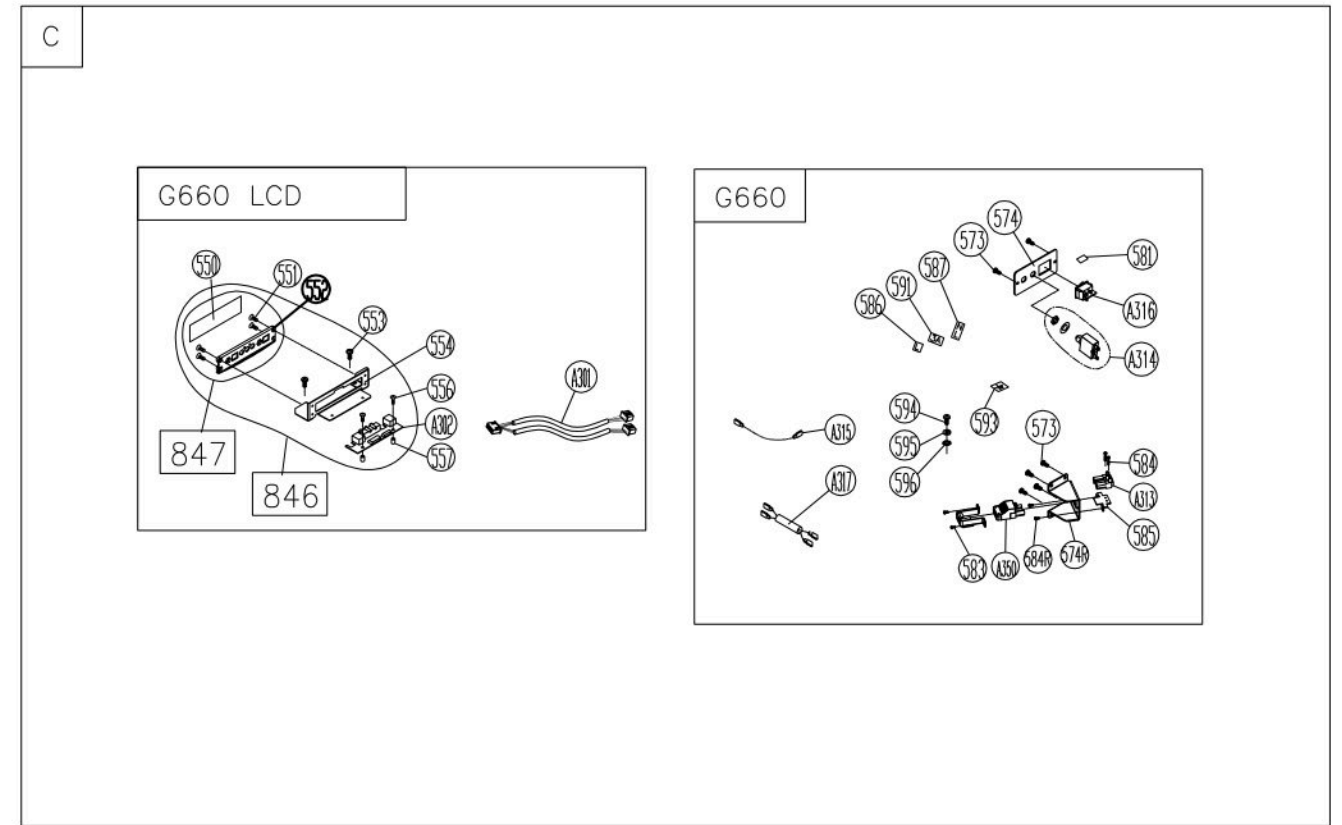
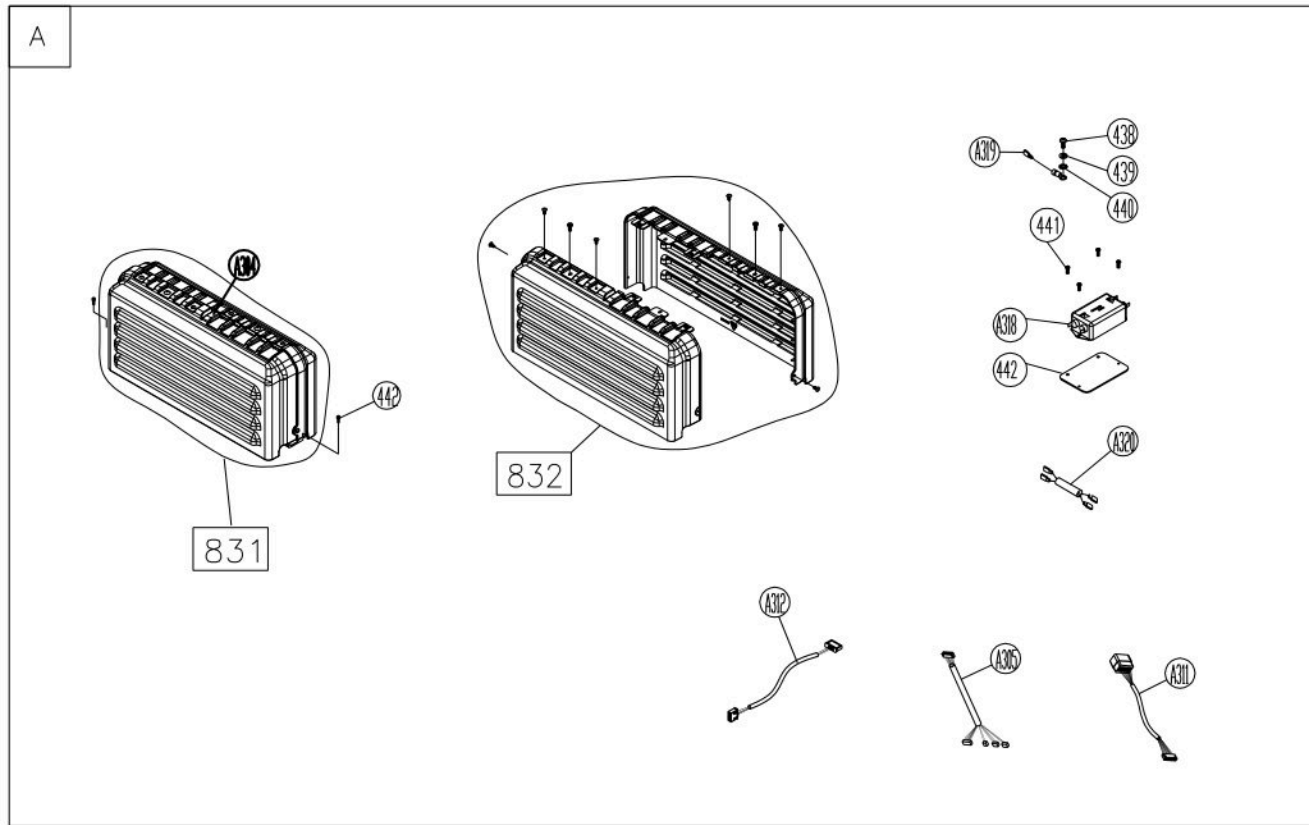
CHANGE DATE	CHANGE DESCRIPTION	CHANGE NO.	NAME	 RESTRICTED USAGE , PLEASE DON'T FORWARD TO ANYONE WHO ISN'T AUTHORIZED	DRAWN BY	UNITS	MM	SALES BLOW UP DIAGRAM	DIAGRAM NO.	TBW-F101C-B	
2024.02.22	 配合設變新增善換新 735	02-20200809T	顏志達		VERIFIED BY	QTY	1				G660
						VERSION	B0	XX		MODEL	
						RATIO	1:12				



CHANGE DATE	CHANGE DESCRIPTION	CHANGE NO.	NAME	 RESTRICTED USAGE , PLEASE DON'T FORWARD TO ANYONE WHO ISN'T AUTHORIZED	DRAWN BY	UNITS	MM	SALES BLOW UP DIAGRAM	DIAGRAM NO.	TBW-F101D-A G660 MODEL		
					VERIFIED BY	QTY	1					
						VERSION	AO		XX			
						RATIO	1:15					



CHANGE DATE	CHANGE DESCRIPTION	CHANGE NO.	NAME	SportsArt FITNESS RESTRICTED USAGE, PLEASE DON'T FORWARD TO ANYONE WHO ISN'T AUTHORIZED	DRAWN BY	UNITS	MM	SALES BLOW UP DIAGRAM	DIAGRAM NO.	TBW-F101E-A		
					VERIFIED BY	QTY	1					G660
						VERSION	AO		XX		MODEL	
						RATIO	1:14					



CHANGE DATE	CHANGE DESCRIPTION	CHANGE NO.	NAME	 <p>RESTRICTED USAGE , PLEASE DON'T FORWARD TO ANYONE WHO ISN'T AUTHORIZED</p>	DRAWN BY	UNITS	MM	SALES BLOW UP DIAGRAM	DIAGRAM NO.	TBW-F101F-A	
					VERIFIED BY	QTY	1				G660
						VERSION	AO		XX	MODEL	
						RATIO	1:14				