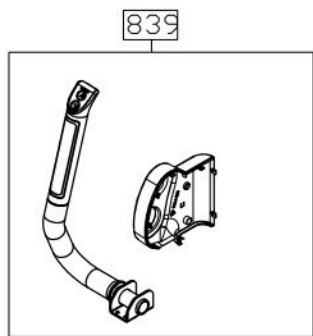


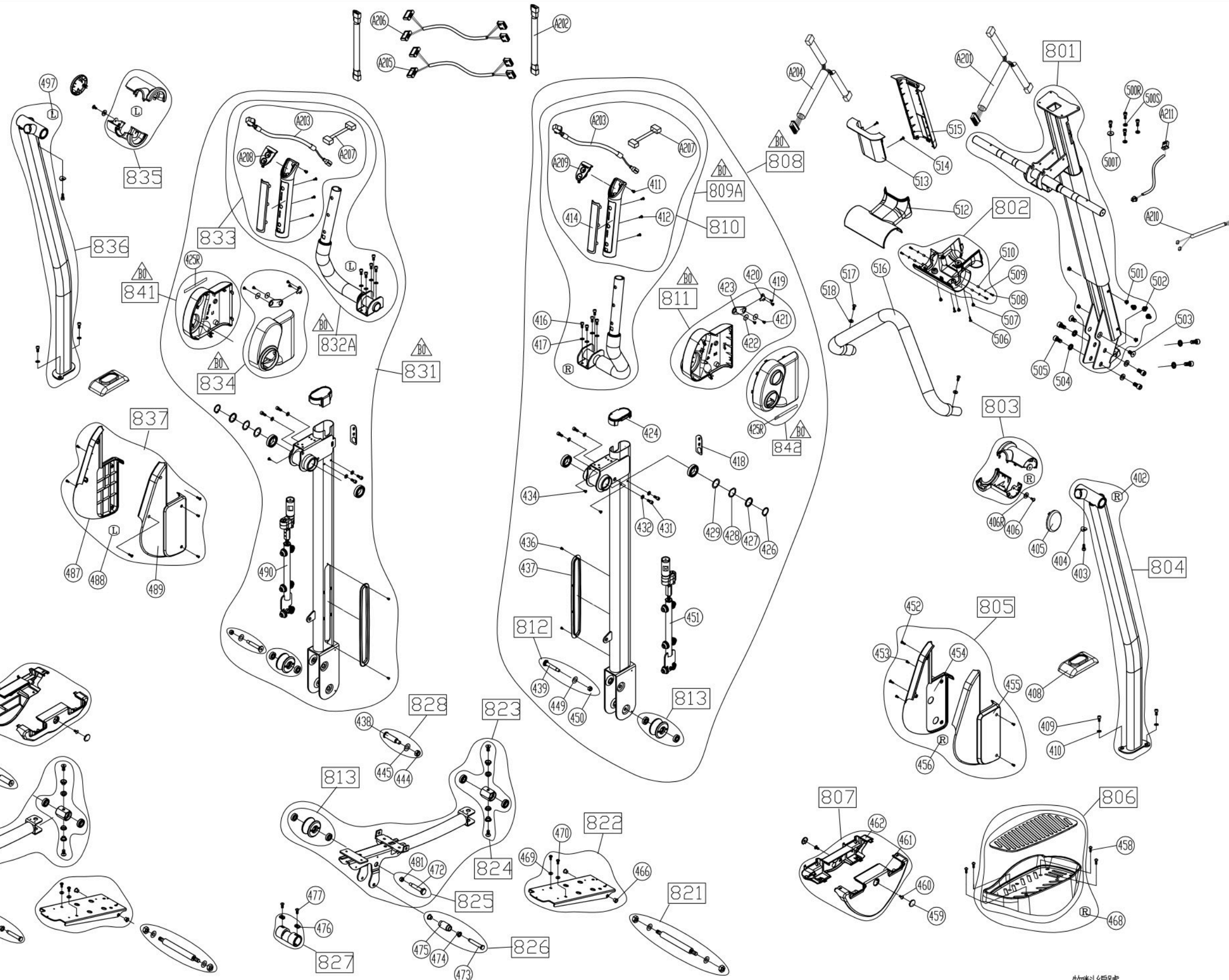
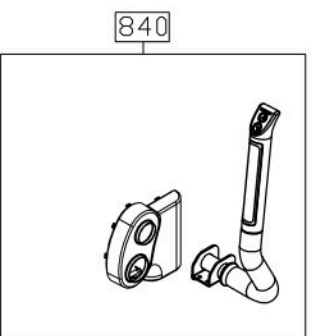
OLD-NEW
Please Note:
For E874 before S/N:0426887BM

1. If you haven't replaced
and if you want to replace
each of them, please send
for replacement.



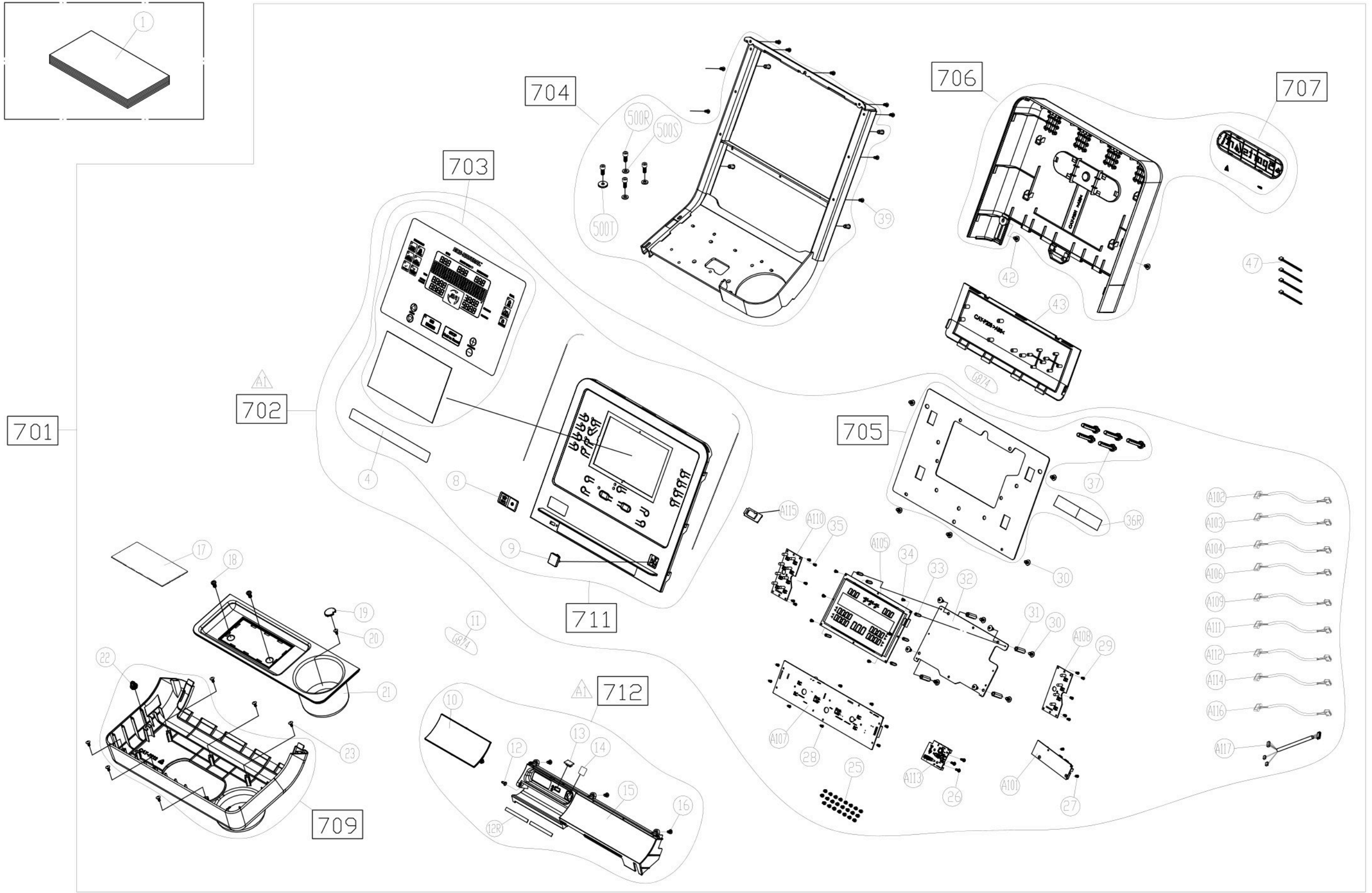
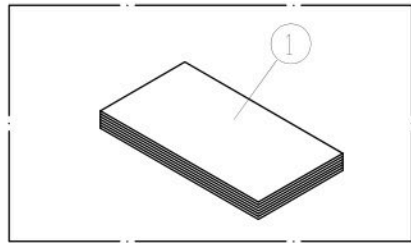
OLD-NEW
Please Note:
For E874 before S/N:0426887BM

1. If you haven't replaced
and if you want to replace
each of them, please send
for replacement.



物料編號

CHANGE DATE	CHANGE DESCRIPTION	CHANGE NO.	NAME	SPORTSART FITNESS	DRAWN BY	UNITS	MM	SALES BLOW UP DIAGRAM	DIAGRAM NO.	EBF-F101D-B
2020.05.29	避免塑膠蓋旋轉，新增 號件，增加接觸面積		黃永業	RESTRICTED USAGE , PLEASE DON'T FORWARD TO ANYONE WHO ISNT AUTHORIZED	VERIFIED BY	QTY	1	XX	MODEL	E874 G874
2023.01.04	取消 單寄，修改 新增	07-20220412M	陳冠馨			VERSION	B0			



CHANGE DATE	CHANGE DESCRIPTION	CHANGE NO.	NAME	SPORTSART FITNESS	DRAWN BY	UNITS	MM	SALES BLOW UP DIAGRAM	DIAGRAM NO.	MODEL
20240711	新增 712 修改 702		張又仁	RESTRICTED USAGE , PLEASE DON'T FORWARD TO ANYONE WHO ISN'T AUTHORIZED		QTY	1	XX		EBF-F102B-A G874
					VERIFIED BY	VERSION	A1			
						RATIO	1:8			

