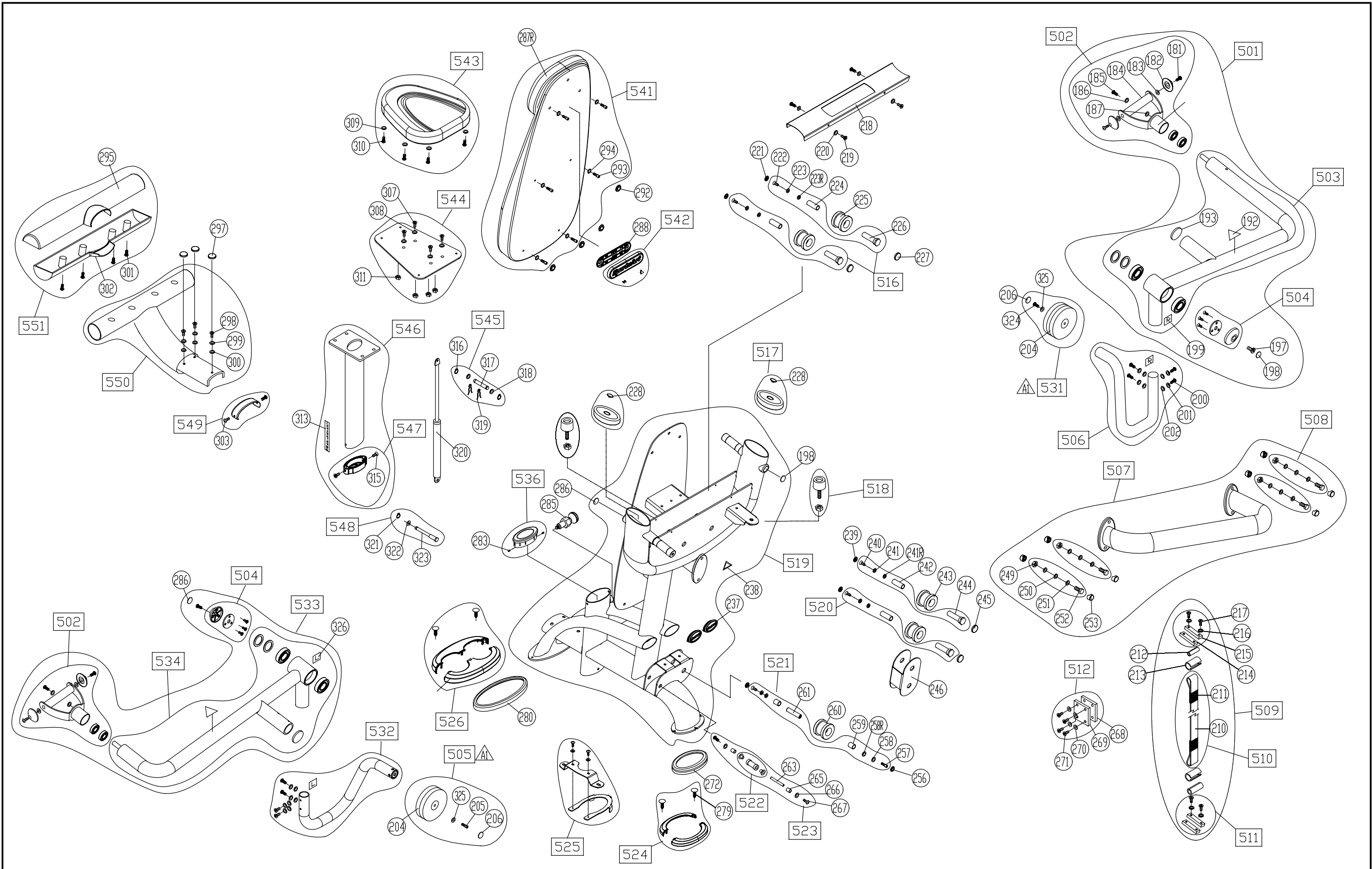


CHANGE DATE	CHANGE DESCRIPTION	CHANGE NO.	NAME	 RESTRICTED USAGE , PLEASE DON'T FORWARD TO ANYONE WHO ISN'T AUTHORIZED	DRAWN BY	UNITS	MM	SALES BLOW UP DIAGRAM	DIAGRAM NO.	GLA-F101B-A	
					VERIFIED BY	QTY	1				N917
						VERSION	A0	XX		MODEL	
						RATIO	1:16				



CHANGE DATE	CHANGE DESCRIPTION	CHANGE NO.	NAME	<p>RESTRICTED USAGE , PLEASE DON'T FORWARD TO ANYONE WHO ISN'T AUTHORIZED</p>	DRAWN BY	UNITS	MM	SALES BLOW UP DIAGRAM	DIAGRAM NO.	GLA-F101C-A	
2020.10.26	品保反應配重塊組裝錯誤, 更正圖面 505 531		張又仁		VERIFIED BY	QTY	1				N917
						VERSION	A1	XX		MODEL	
						RATIO	1:11				