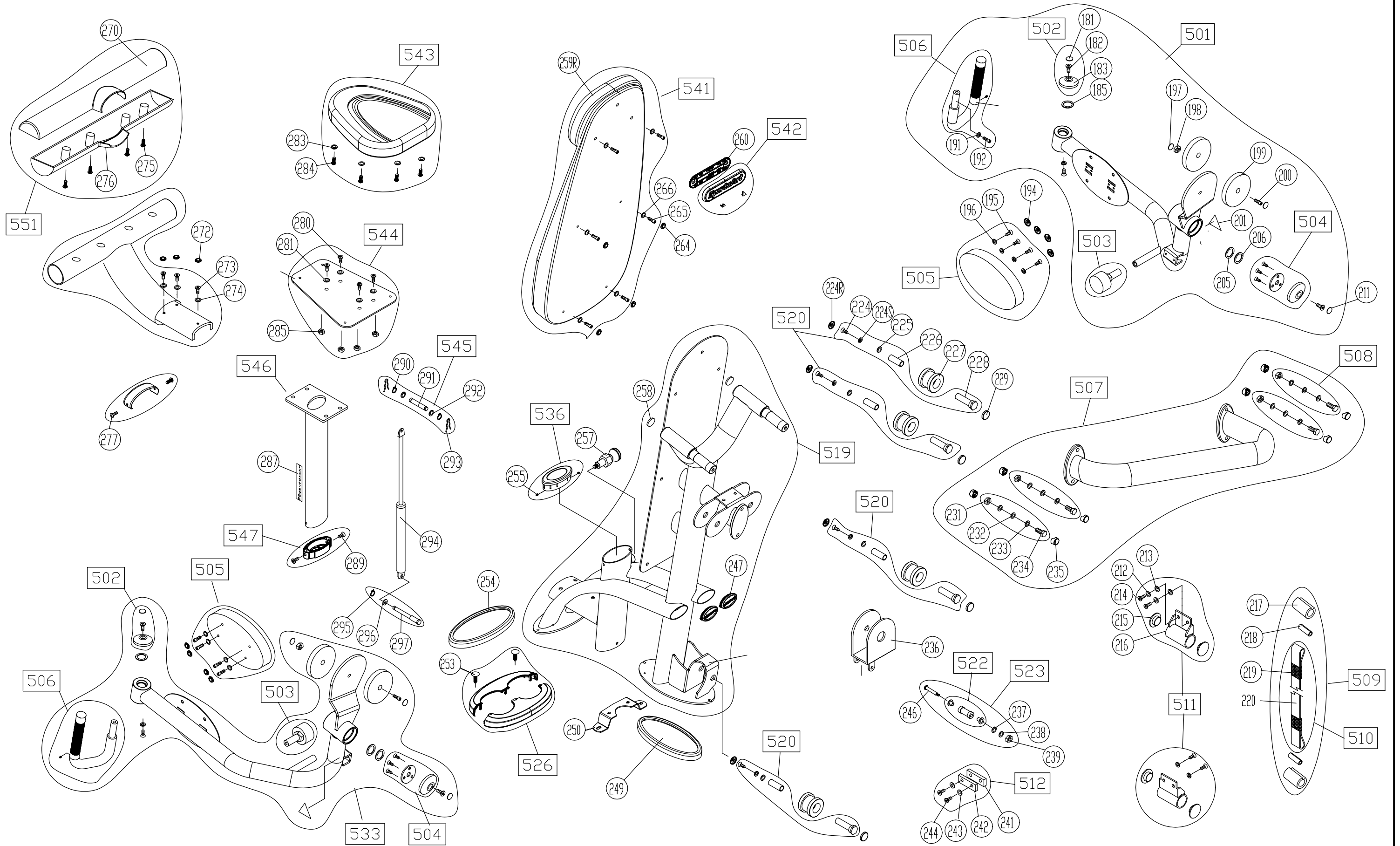


CHANGE DATE	CHANGE DESCRIPTION	CHANGE NO.	NAME	 RESTRICTED USAGE , PLEASE DON'T FORWARD TO ANYONE WHO ISN'T AUTHORIZED	DRAWN BY	UNITS	MM	SALES BLOW UP DIAGRAM	DIAGRAM NO.	GLQ-F101B-A	
					VERIFIED BY	QTY	1				N919
						VERSION	A0	XX		MODEL	
						RATIO	1:16				



CHANGE DATE	CHANGE DESCRIPTION	CHANGE NO.	NAME	SportsArt FITNESS RESTRICTED USAGE , PLEASE DON'T FORWARD TO ANYONE WHO ISN'T AUTHORIZED	DRAWN BY	UNITS	MM	SALES BLOW UP DIAGRAM	DIAGRAM NO.	GLQ-F101C-A	
					VERIFIED BY	QTY	1				N919
						VERSION	A0	XX		MODEL	
						RATIO	1:11				