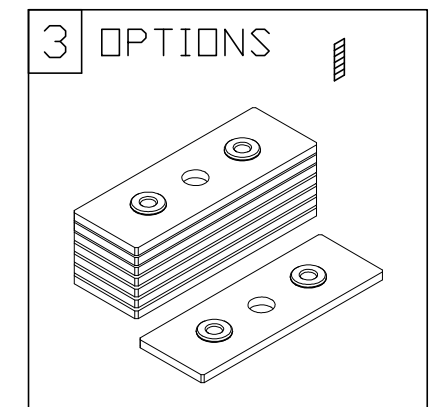
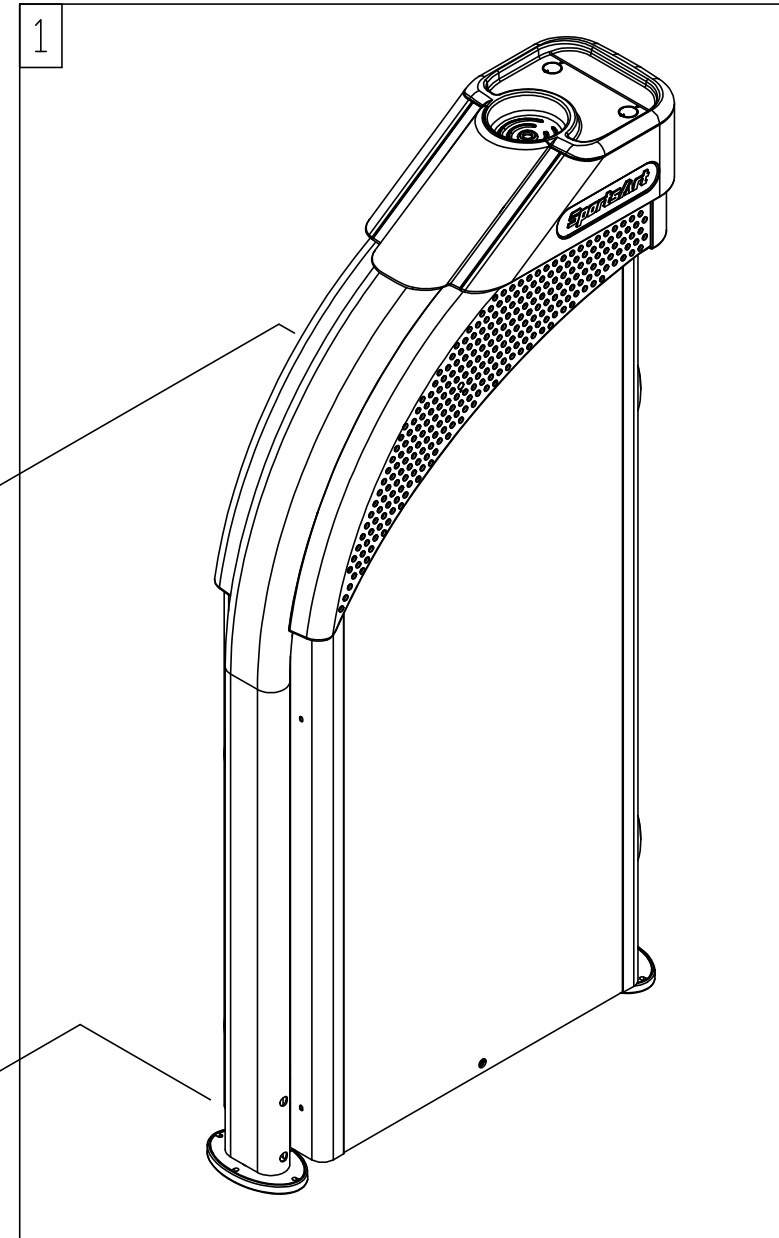
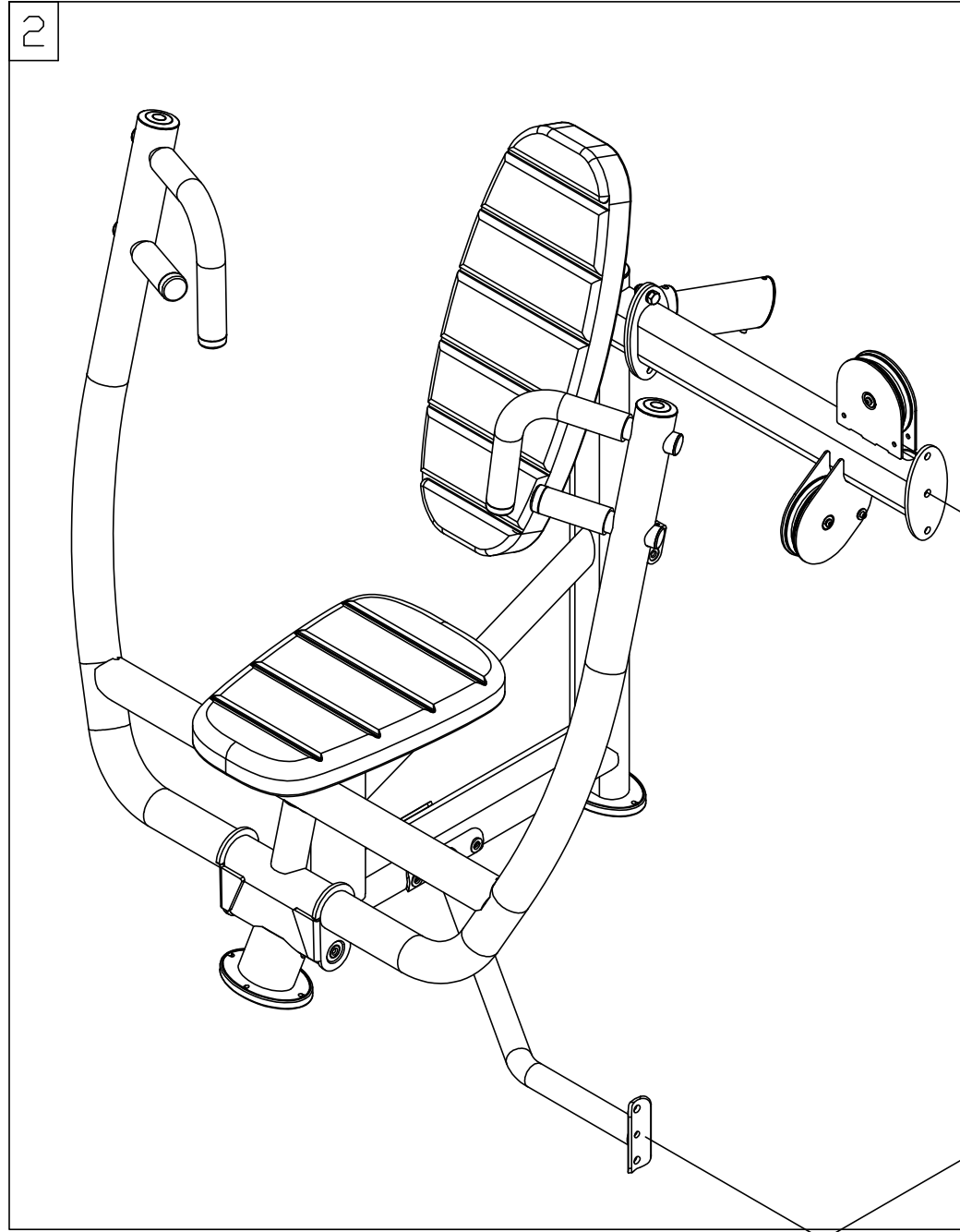
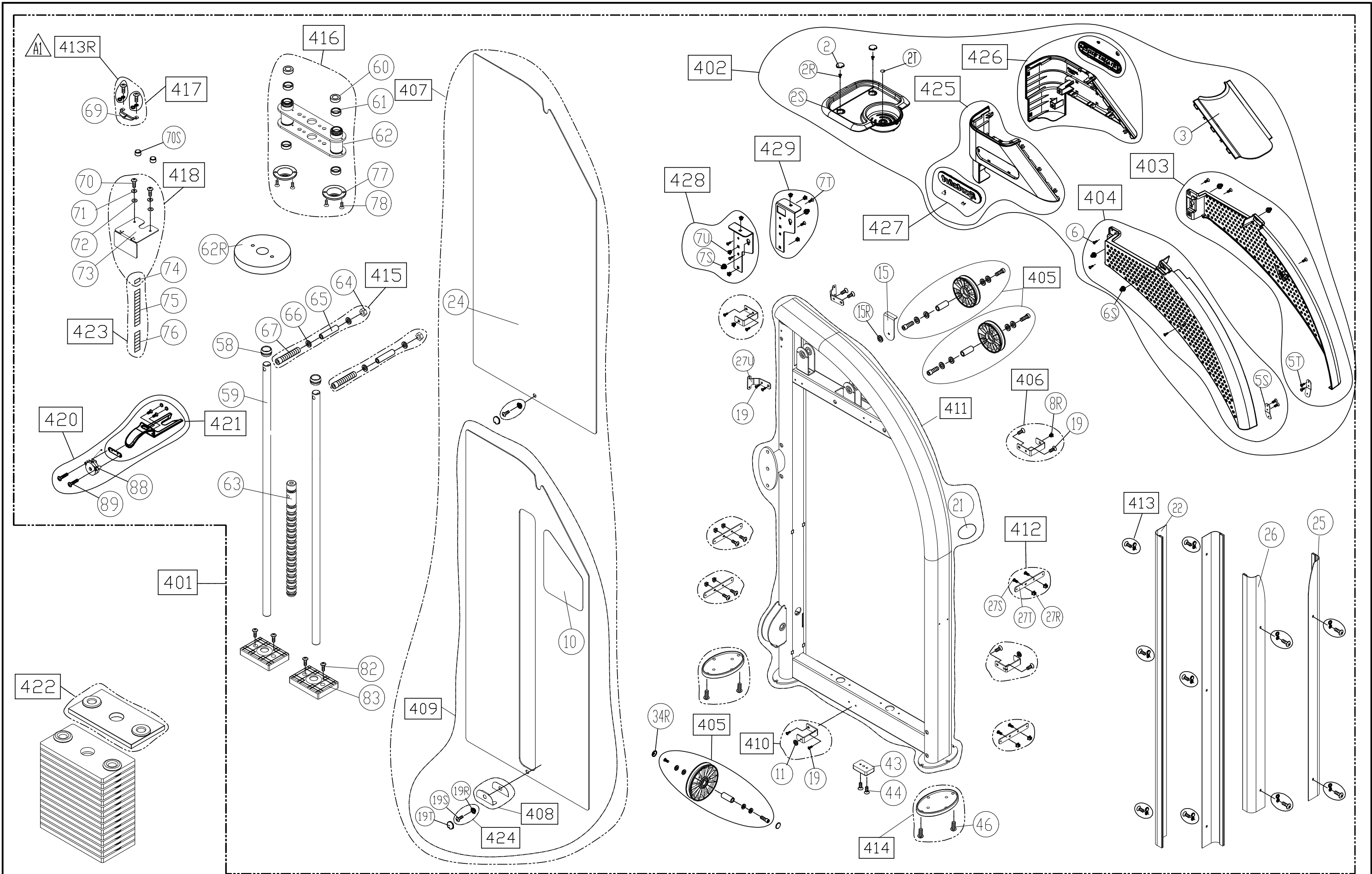


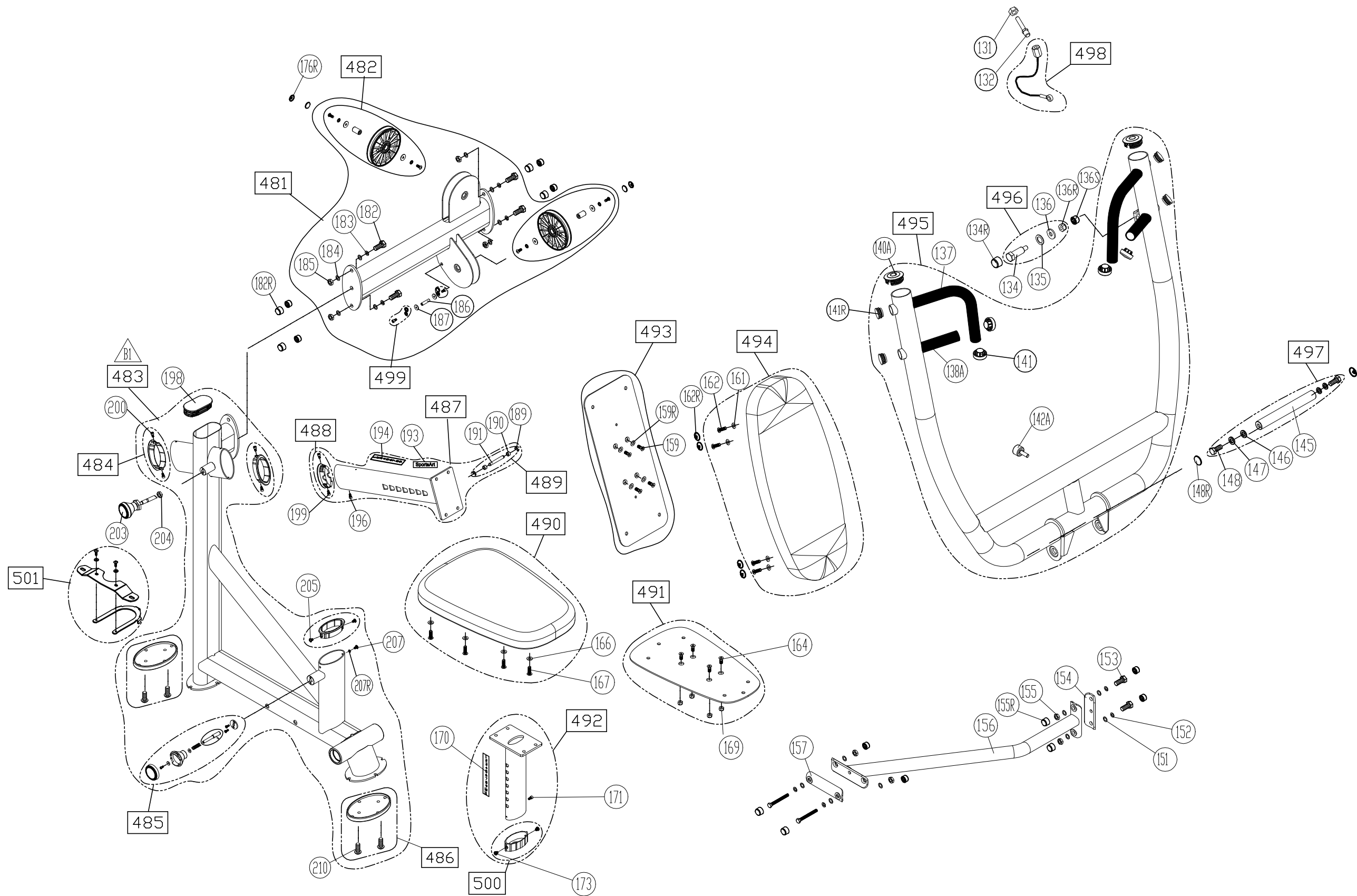
No.	Diagram	Tool Needed	Part Number	components Number
1	GBL-F101B		① ~ ⑧⑨	401 ~ 429
2	GBL-F101C		⑬⑭ ~ ⑳	481 ~ 501
3	GCA-F101D	OPTIONS		P401



CHANGE DATE	CHANGE DESCRIPTION	CHANGE NO.	NAME	SportsArt FITNESS RESTRICTED USAGE , PLEASE DON'T FORWARD TO ANYONE WHO ISN'T AUTHORIZED	DRAWN BY	UNITS	MM	SALES BLOW UP DIAGRAM	DIAGRAM NO.	GBL-F101A-A	
	⚠ A1				VERIFIED BY	QTY	1			MODEL	P815
						VERSION	A1	XX			
						RATIO	1:10				



CHANGE DATE	CHANGE DESCRIPTION	CHANGE NO.	NAME	 RESTRICTED USAGE , PLEASE DON'T FORWARD TO ANYONE WHO ISN'T AUTHORIZED	DRAWN BY	UNITS	MM	SALES BLOW UP DIAGRAM	DIAGRAM NO.	GBL-F101B-A	
2025.06.25	A1 新增 413R		張又仁				QTY	1			P815
2026.05.13	A2 取消 (12)		張又仁				VERSION	A2	XX	MODEL	
						VERIFIED BY	RATIO	1:12			



CHANGE DATE	CHANGE DESCRIPTION	CHANGE NO.	NAME	 RESTRICTED USAGE , PLEASE DON'T FORWARD TO ANYONE WHO ISN'T AUTHORIZED	DRAWN BY	UNITS	MM	SALES BLOW UP DIAGRAM	DIAGRAM NO.	GBL-F101C-B	
2025.09.22	取消 211 212 213 214 215 216 218 219 220, 改 217 整組	05-20250802M	林雅青		VERIFIED BY	QTY	1				P815
2025.09.22	修改 483 = 483A	05-20250807M	林雅青			VERSION	B1	XX		MODEL	
2025.11.10	修改 483A = 483		張又仁			RATIO	1:12				