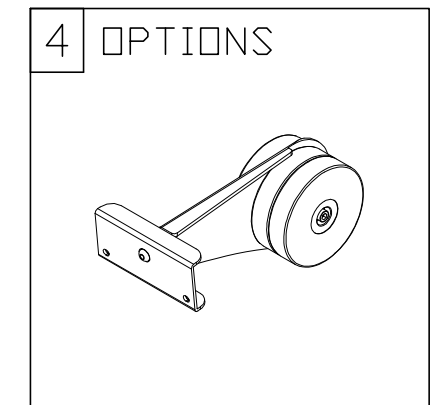
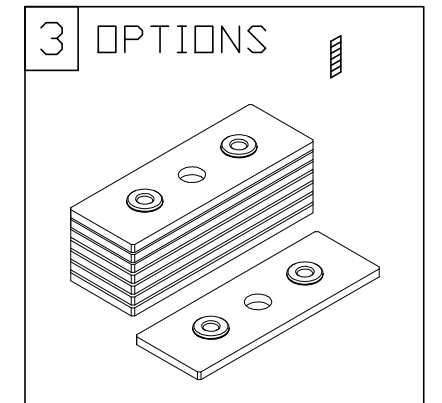
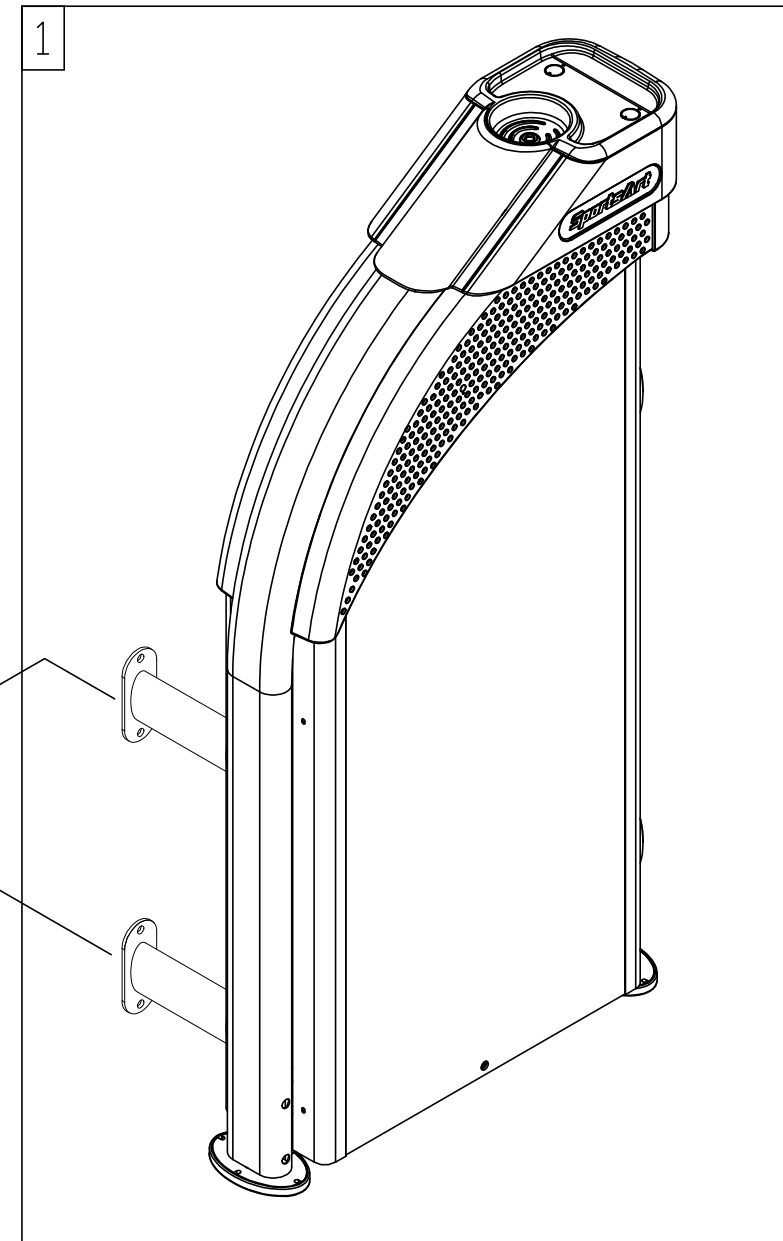
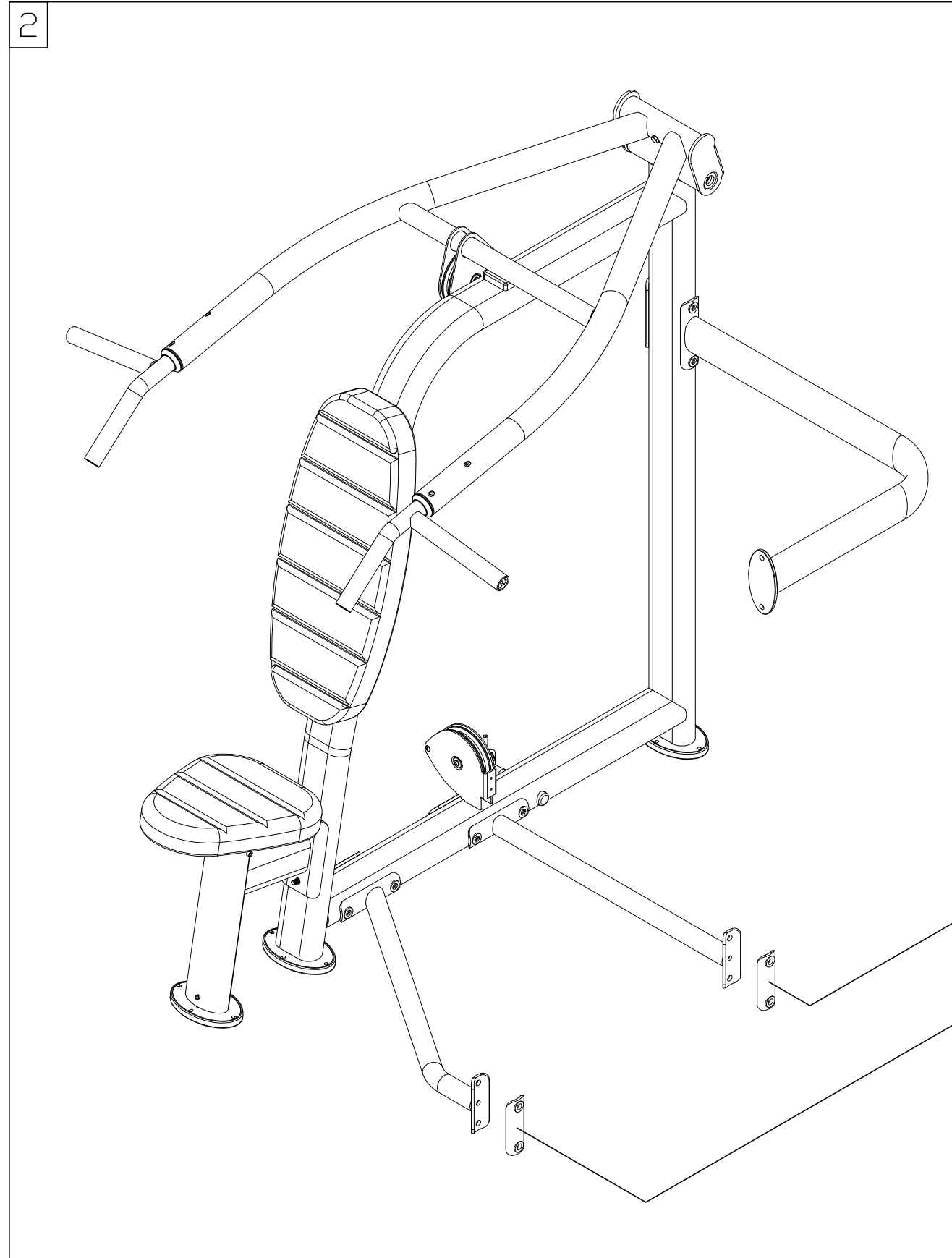
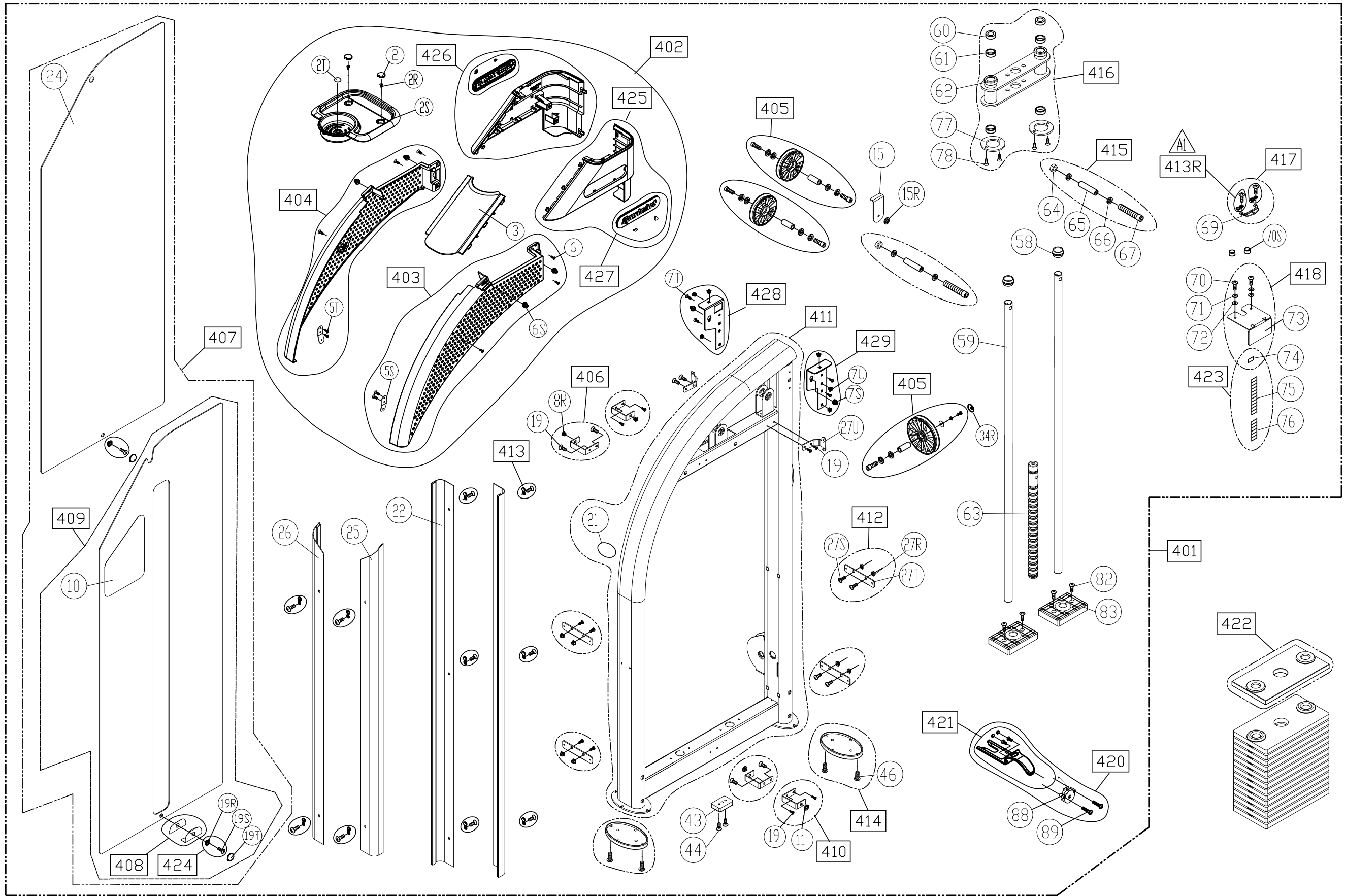


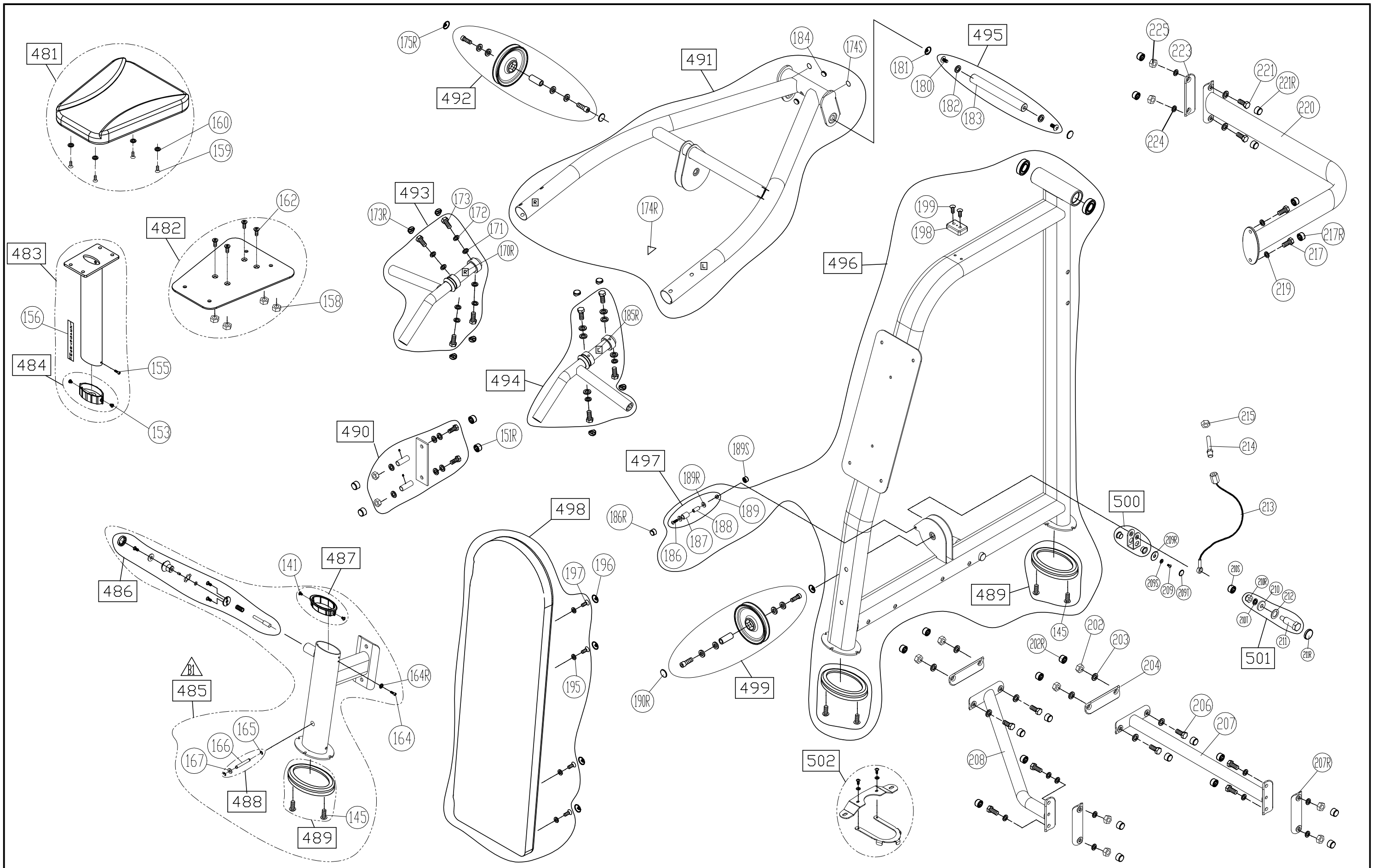
No.	Diagram	Tool Needed	Part Number	components Number
1	GBA-F101B		① ~ ⑧9	401 ~ 429
2	GBA-F101C		⑬1 ~ ⑳5	481 ~ 502
3	GCA-F101D	OPTIONS		P401
4	GCA-F101E	OPTIONS	Ⓑ01 ~ Ⓑ14	B401



CHANGE DATE	CHANGE DESCRIPTION	CHANGE NO.	NAME	SportsArt FITNESS RESTRICTED USAGE , PLEASE DON'T FORWARD TO ANYONE WHO ISN'T AUTHORIZED	DRAWN BY	UNITS	MM	SALES BLOW UP DIAGRAM	DIAGRAM NO.	GBA-F101A-A	
	⚠ A1				VERIFIED BY	QTY	1			MODEL	P817
						VERSION	A1	XX			
						RATIO	1:10				



CHANGE DATE	CHANGE DESCRIPTION	CHANGE NO.	NAME	 RESTRICTED USAGE , PLEASE DON'T FORWARD TO ANYONE WHO ISN'T AUTHORIZED	DRAWN BY	UNITS	MM	SALES BLOW UP DIAGRAM	DIAGRAM NO.	GBA-F101B-A	
2025.06.25	▲1 新增 413R		張又仁		VERIFIED BY	QTY	1				P817
2026.05.13	▲2 取消 12		張又仁			VERSION	A2	XX		MODEL	
						RATIO	1:12				



CHANGE DATE	CHANGE DESCRIPTION	CHANGE NO.	NAME	 RESTRICTED USAGE , PLEASE DON'T FORWARD TO ANYONE WHO ISN'T AUTHORIZED	DRAWN BY	UNITS	MM	SALES BLOW UP DIAGRAM	DIAGRAM NO.	GBA-F101C-B	
2025.09.16	取消(131)(132)(133)(135)(135R)(136)(137)(138)(139)(140), 改(134) 整組	05-20250802M	林雅青				QTY	1			P817
2025.09.16	修改 485 = 485A	05-20250807M	林雅青				VERSION	B1	XX	MODEL	
2025.11.06	修改 485A = 485		張又仁				RATIO	1:1			