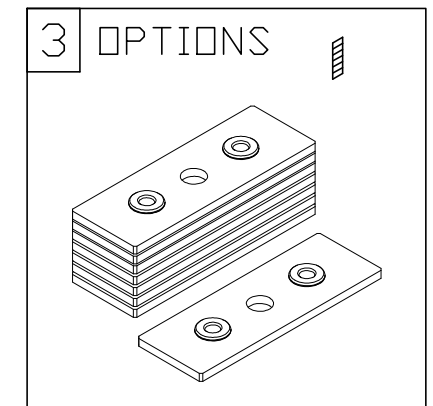
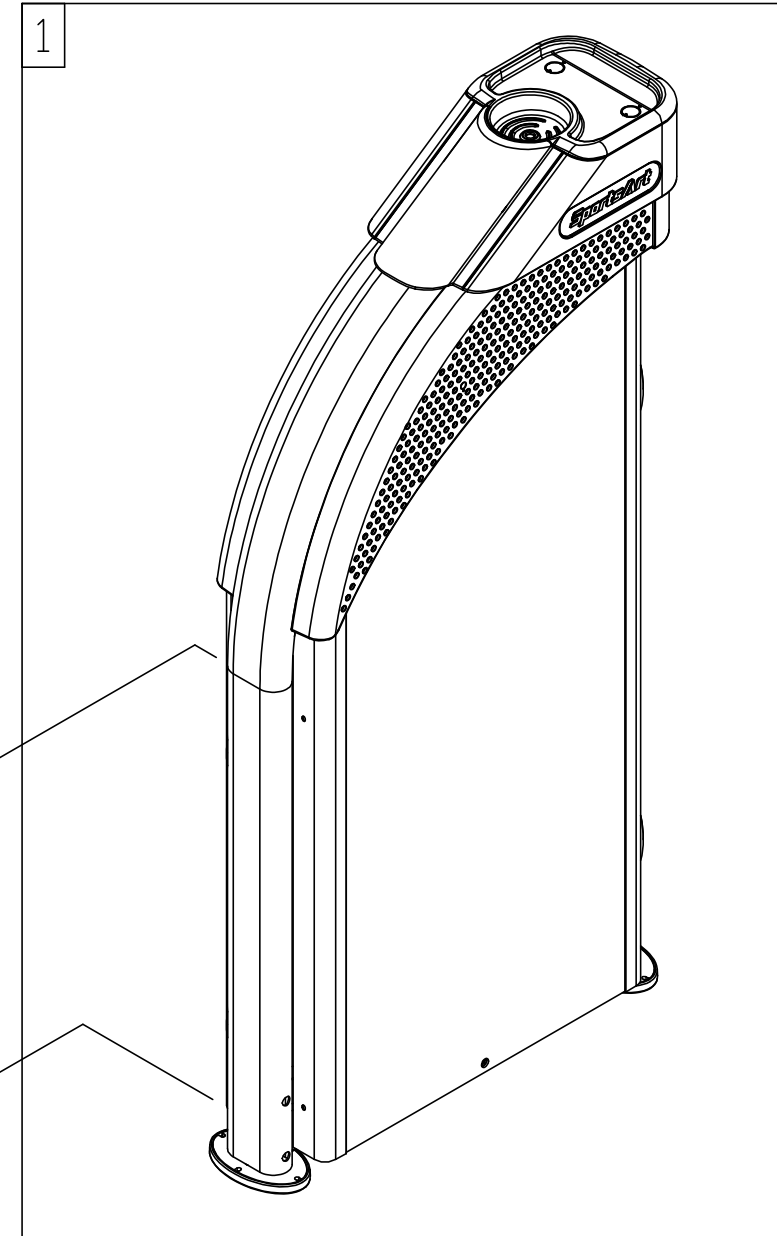
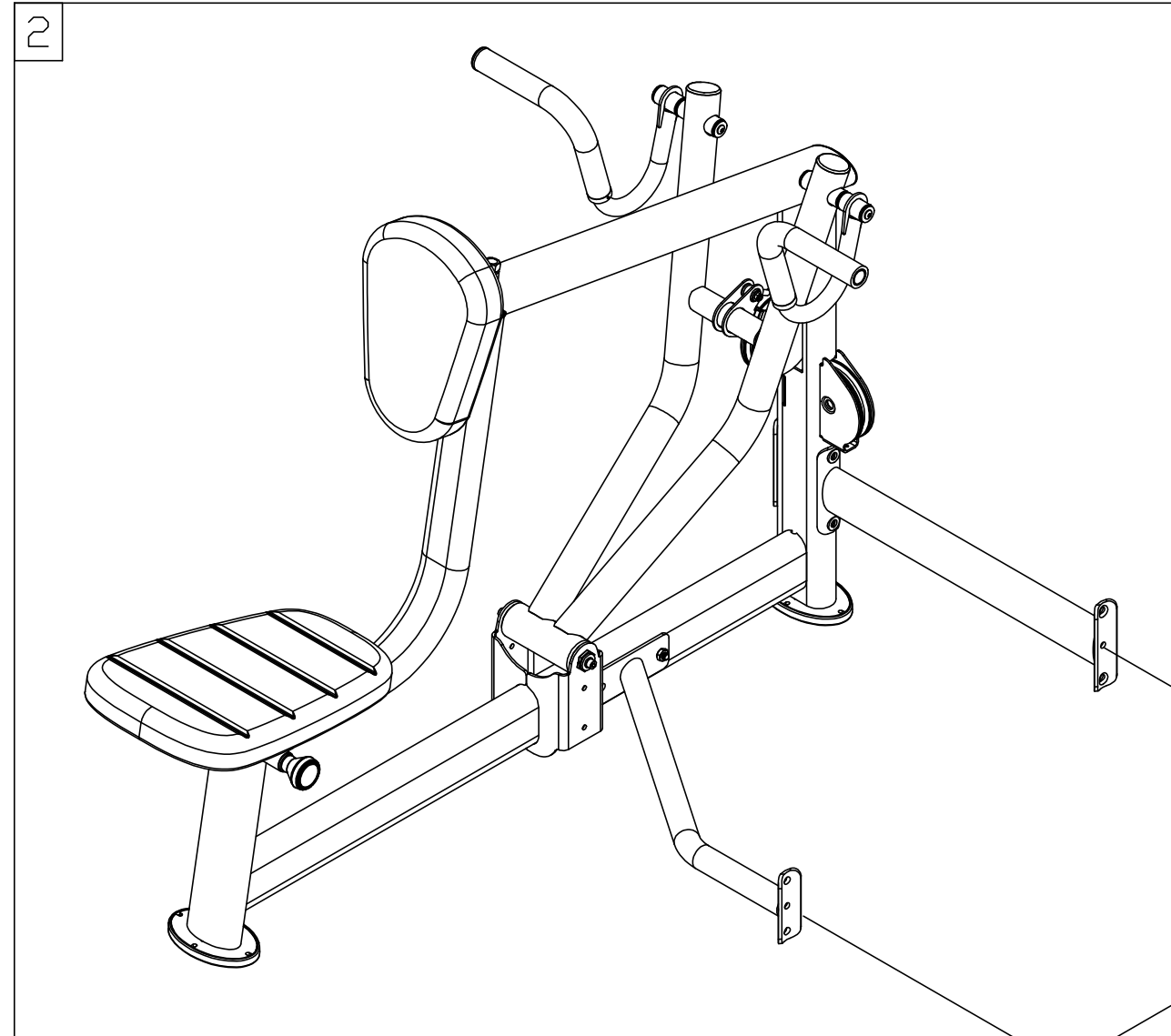
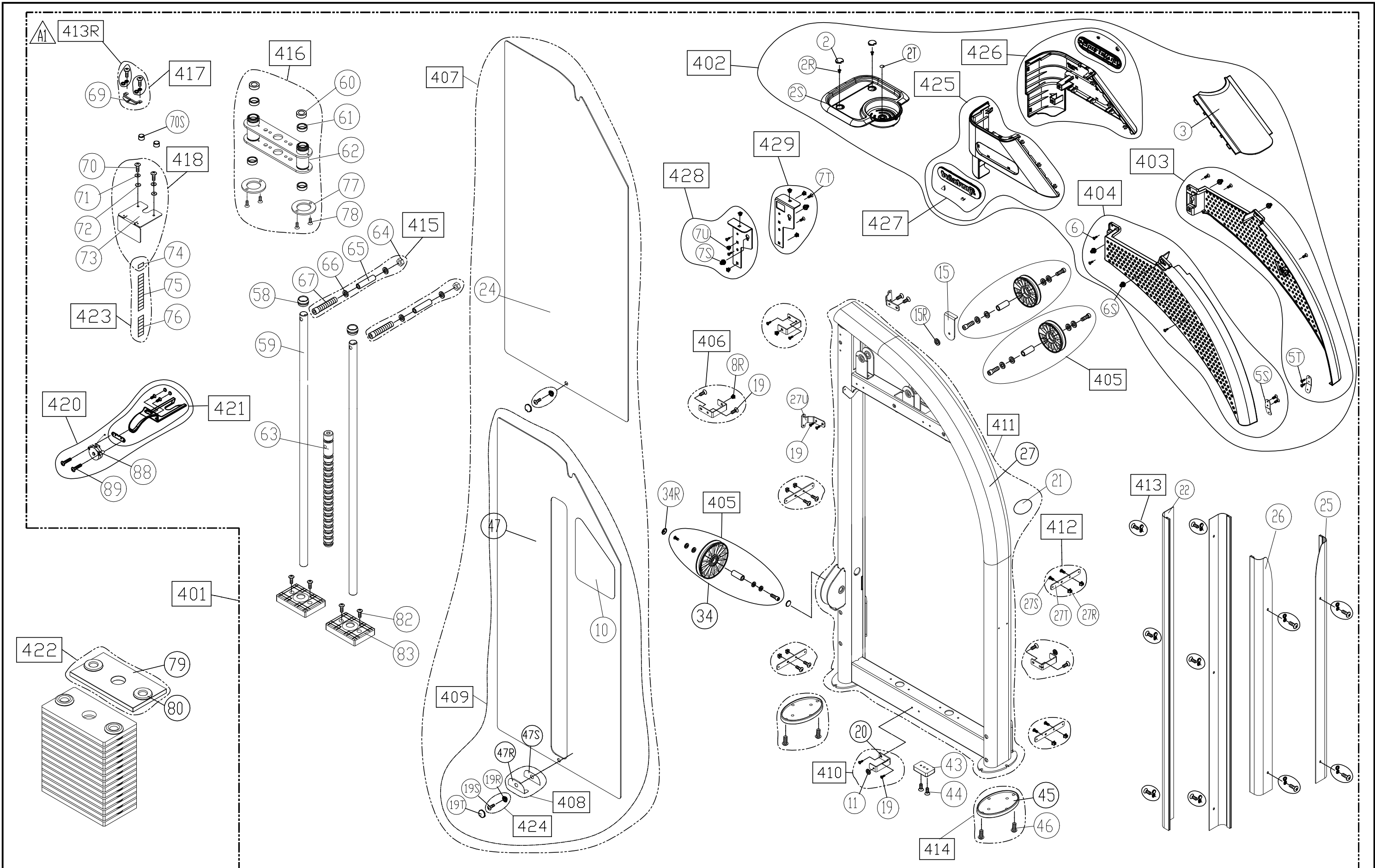


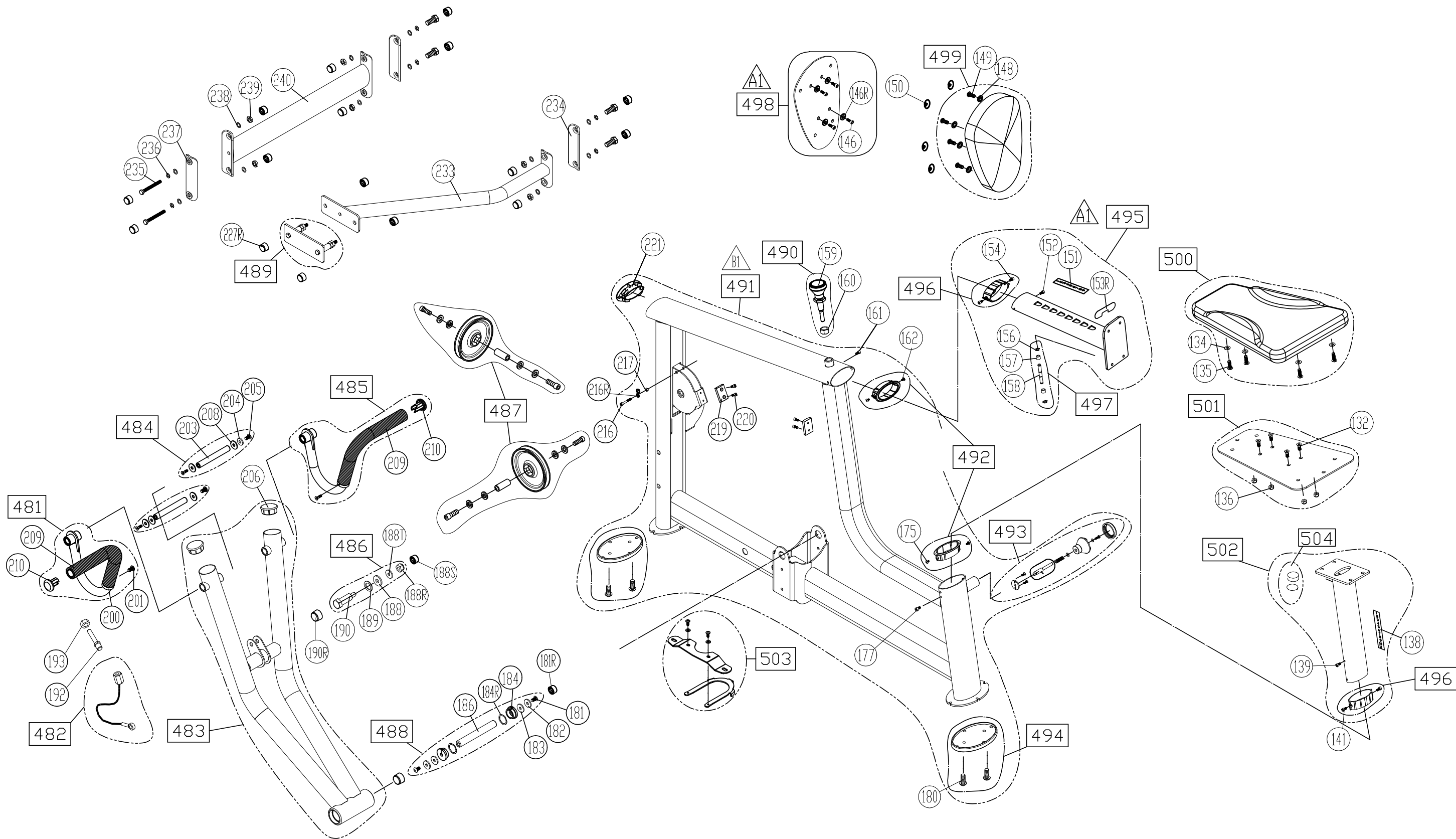
No.	Diagram	Tool Needed	Part Number	components Number
1	GBK-F101B		① ~ ⑧⑨	401 ~ 429
2	GBK-F101C		⑬⑲ ~ ⑳	481 ~ 504
3	GCA-F101D	OPTIONS		P401



CHANGE DATE	CHANGE DESCRIPTION	CHANGE NO.	NAME	SportsArt FITNESS RESTRICTED USAGE , PLEASE DON'T FORWARD TO ANYONE WHO ISN'T AUTHORIZED	DRAWN BY	UNITS	MM	SALES BLOW UP DIAGRAM	DIAGRAM NO.	GBK-F101A-A	
	⚠ A1				VERIFIED BY	QTY	1			MODEL	P821
						VERSION	A1	XX			
						RATIO	1:10				



CHANGE DATE	CHANGE DESCRIPTION	CHANGE NO.	NAME	 RESTRICTED USAGE , PLEASE DON'T FORWARD TO ANYONE WHO ISN'T AUTHORIZED	DRAWN BY	UNITS	MM	SALES BLOW UP DIAGRAM	DIAGRAM NO.	GBK-F101B-A	
2025.06.25	▲1 新增 413R		張又仁				QTY	1			P821
2026.05.13	▲2 取消 (12)		張又仁				VERSION	A2	XX	MODEL	
						VERIFIED BY	RATIO	1:12			



CHANGE DATE	CHANGE DESCRIPTION	CHANGE NO.	NAME	 <p>RESTRICTED USAGE , PLEASE DON'T FORWARD TO ANYONE WHO ISN'T AUTHORIZED</p>	DRAWN BY	UNITS	MM	SALES BLOW UP DIAGRAM	DIAGRAM NO.	GBK-F101C-B	
2025.11.10	B1 修改 491A = 491		張又仁		VERIFIED BY	QTY	1				P821
2025.09.22	B0 取消 164 165 166 168R 169 170 171 172 173, 改 167 整組	05-20250802M	林雅青			VERSION	B1	XX		MODEL	
2025.09.22	B0 修改 491 = 491A	05-20250802M	林雅青			RATIO	1:11				