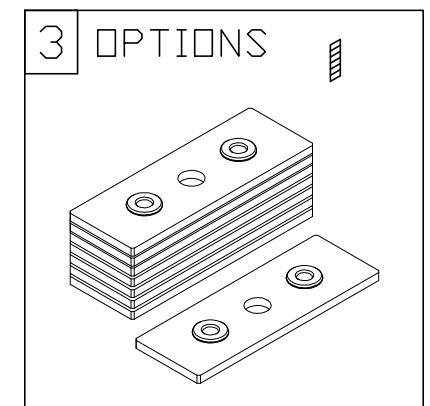
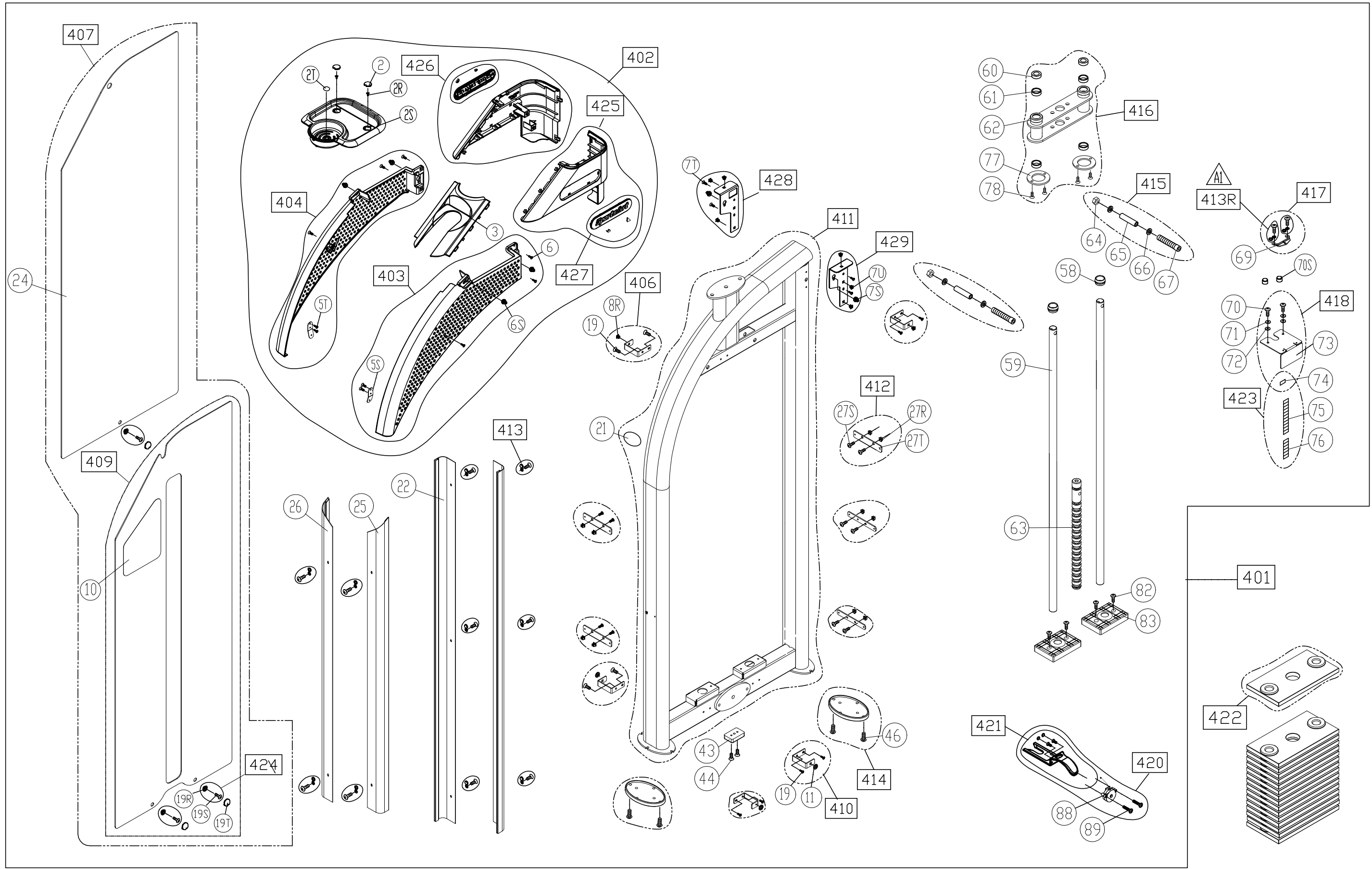


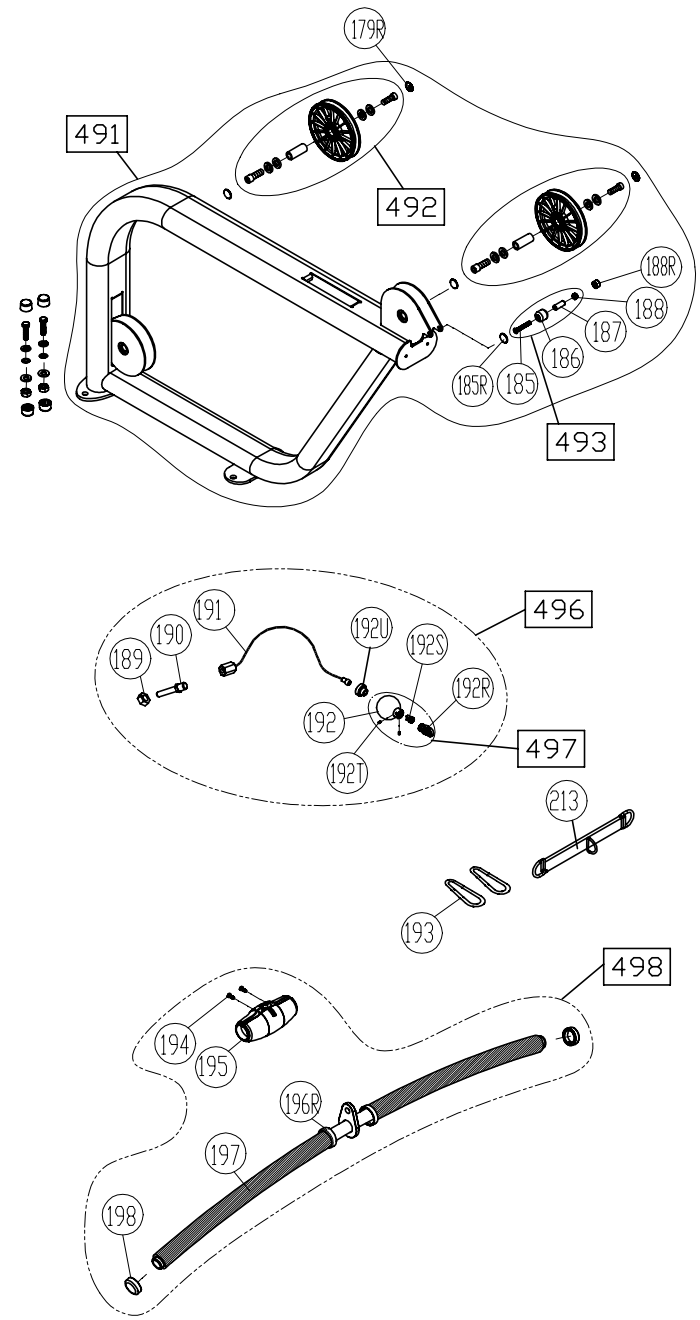
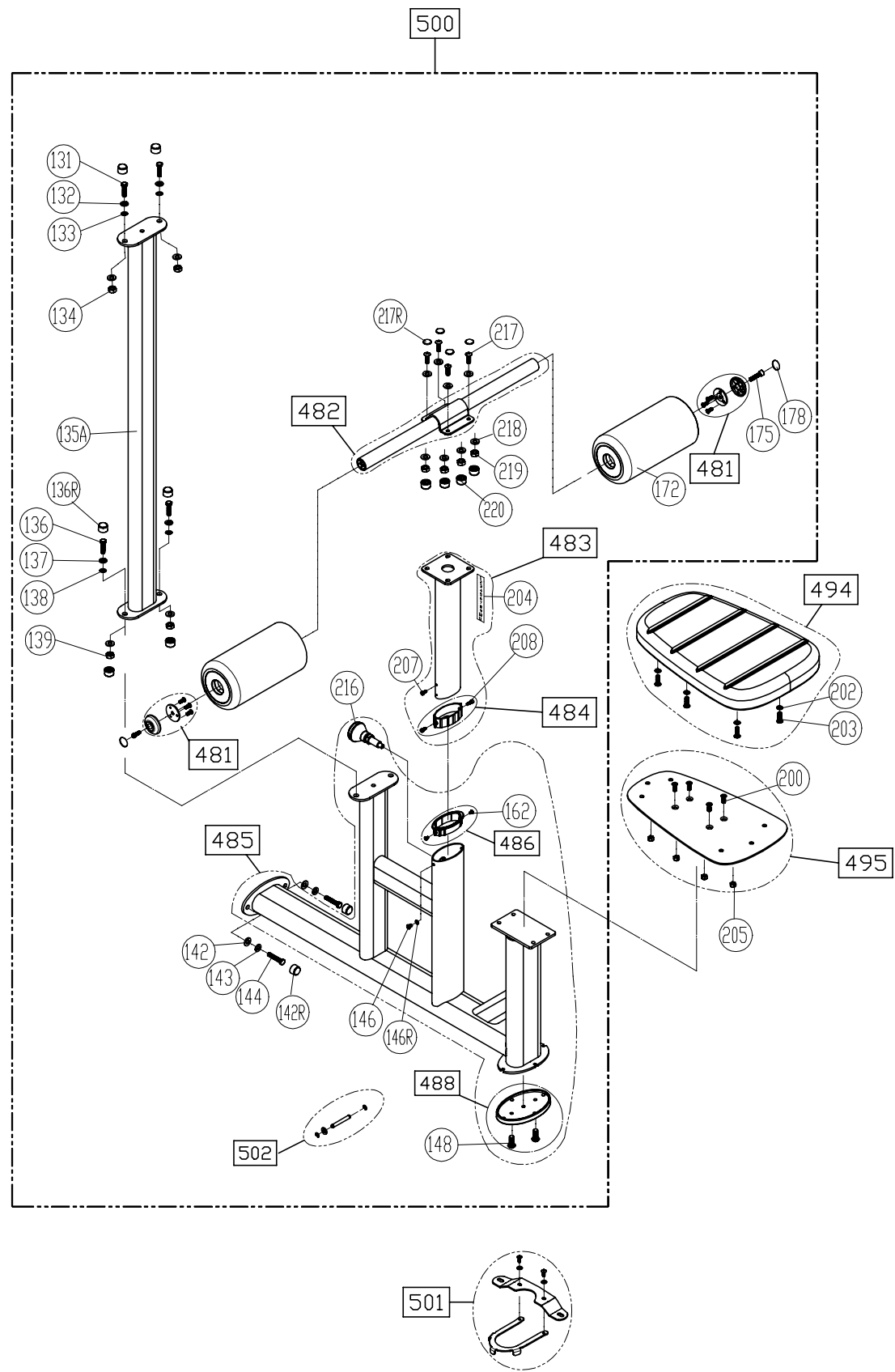
No.	Diagram	Tool Needed	Part Number	components Number
1	GBT-F101B		① ~ ⑧⑨	401 ~ 429
2	GBT-F101C		⑬① ~ ⑳②	481 ~ 502
3	GCA-F101D	OPTIONS		P401
4				



CHANGE DATE	CHANGE DESCRIPTION	CHANGE NO.	NAME	 RESTRICTED USAGE , PLEASE DON'T FORWARD TO ANYONE WHO ISN'T AUTHORIZED	DRAWN BY	UNITS	MM	SALES BLOW UP DIAGRAM	DIAGRAM NO.	GBT-F101A-A	
	▲A1				VERIFIED BY	QTY	1			MODEL	P826
						VERSION	A1		XX		
						RATIO	1:10				



CHANGE DATE	CHANGE DESCRIPTION	CHANGE NO.	NAME	 RESTRICTED USAGE , PLEASE DON'T FORWARD TO ANYONE WHO ISN'T AUTHORIZED	DRAWN BY	UNITS	MM	SALES BLOW UP DIAGRAM	DIAGRAM NO.	GBT-F101B-A	
2025.06.25	▲1 新增 413R		張又仁		VERIFIED BY	QTY	1				P826
2026.05.13	▲2 取消 (12)		張又仁			VERSION	A2	XX		MODEL	
						RATIO	1:12				



CHANGE DATE	CHANGE DESCRIPTION	CHANGE NO.	NAME	 <p>RESTRICTED USAGE , PLEASE DON'T FORWARD TO ANYONE WHO ISN'T AUTHORIZED</p>	DRAWN BY	UNITS	MM	SALES BLOW UP DIAGRAM	DIAGRAM NO.	GBT-F101C-A	
					VERIFIED BY	QTY	1			P826	
						VERSION	A0	XX		MODEL	
						RATIO	1:15				