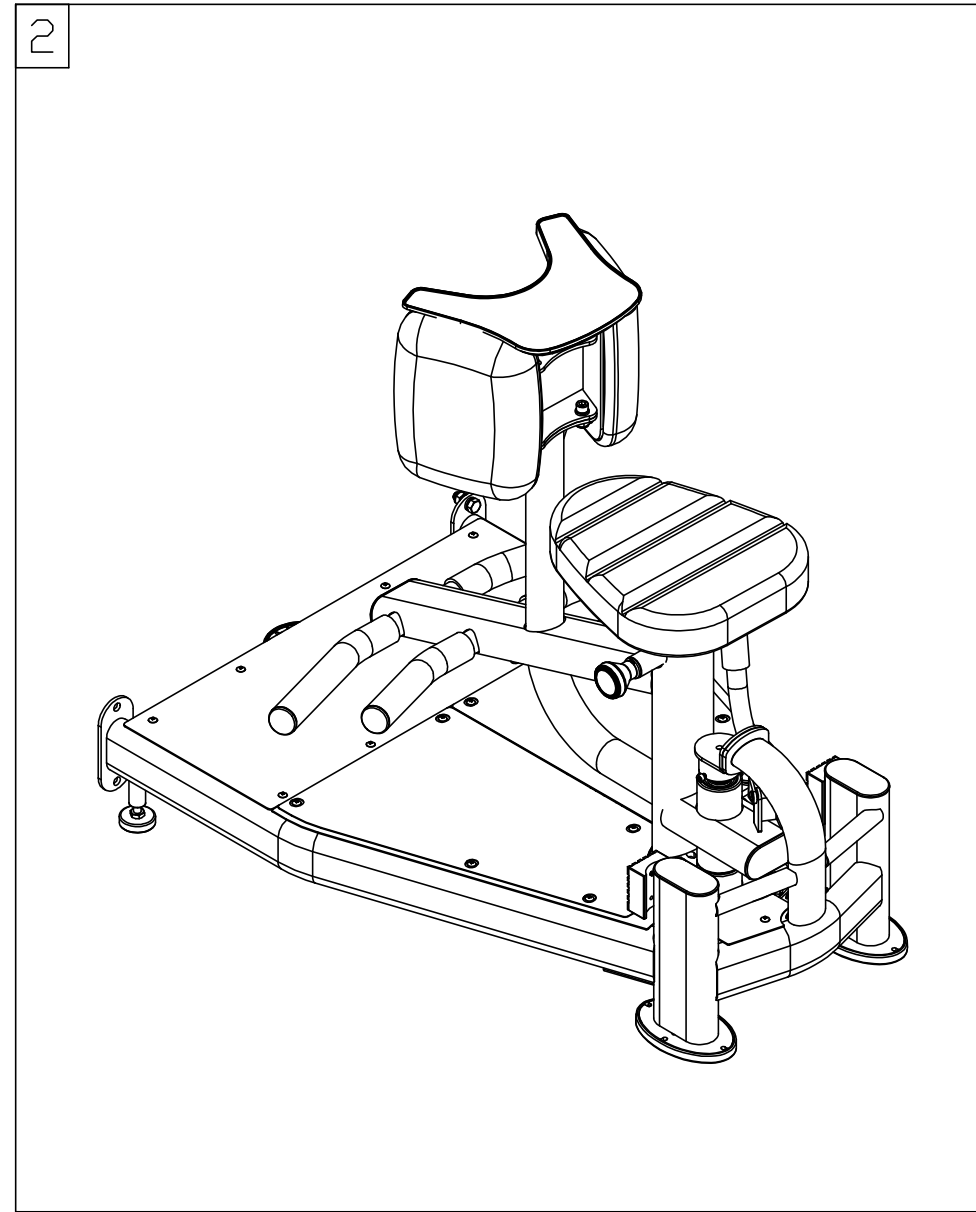
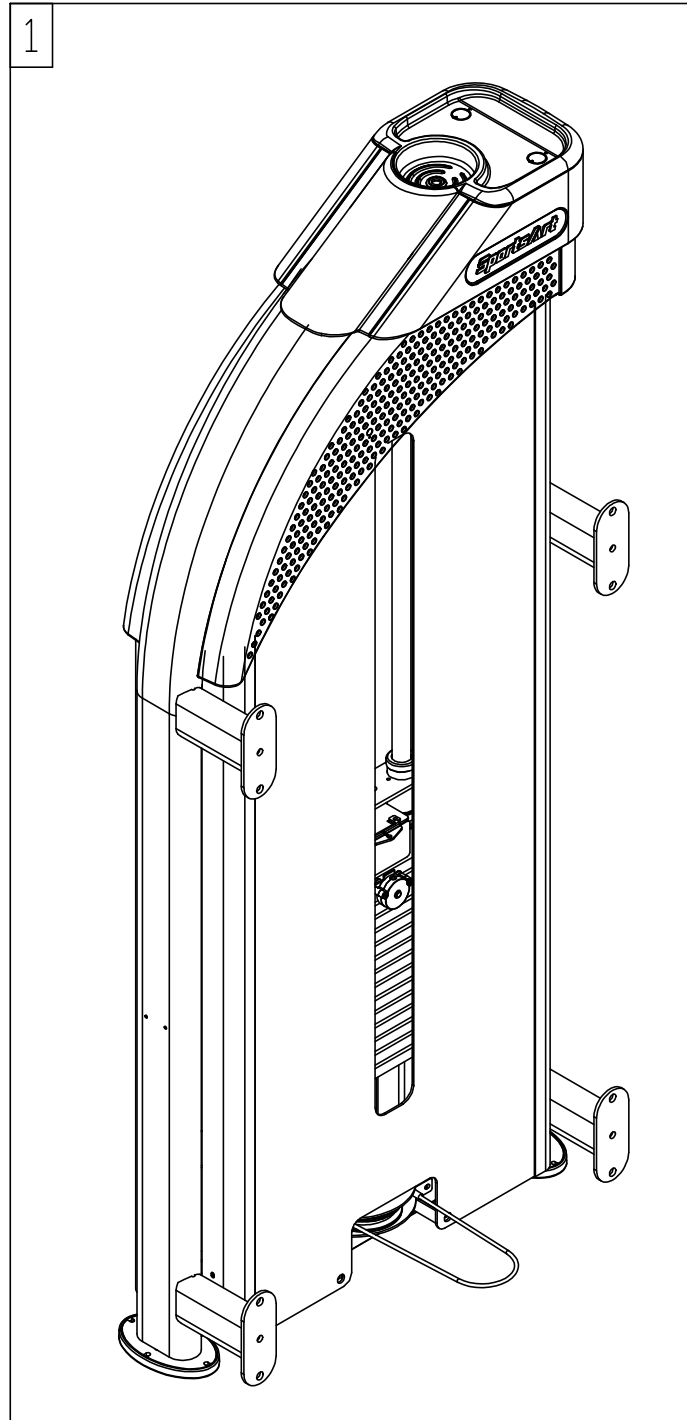
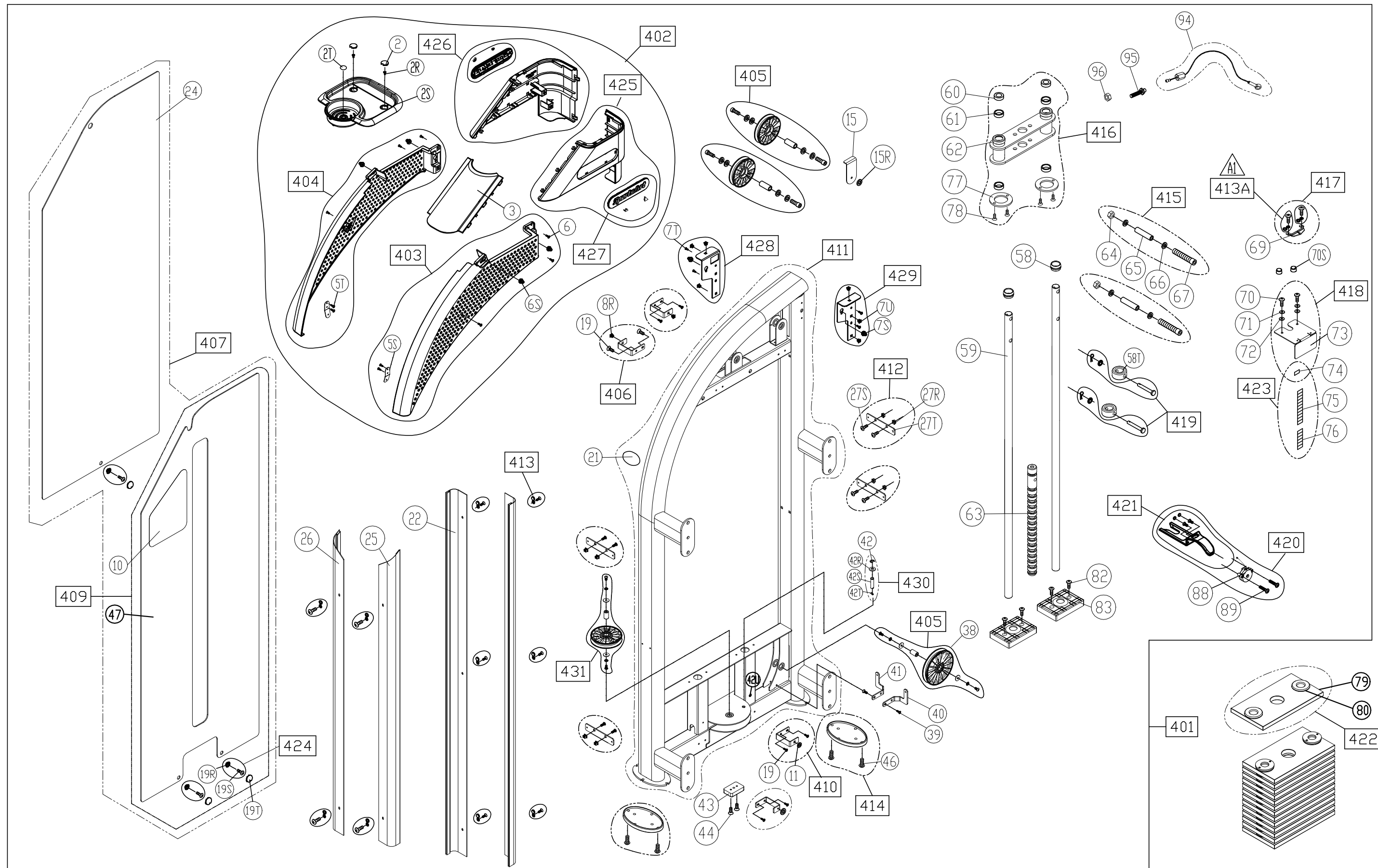


No.	Diagram	Tool Needed	Part Number	components Number
1	GBZ-F101B		① ~ ⑨⑥	401 ~ 431
2	GBZ-F101C		⑫② ~ ⑫③	481 ~ 520



CHANGE DATE	CHANGE DESCRIPTION	CHANGE NO.	NAME	SportsArt FITNESS RESTRICTED USAGE , PLEASE DON'T FORWARD TO ANYONE WHO ISN'T AUTHORIZED	DRAWN BY	UNITS	MM	SALES BLOW UP DIAGRAM	DIAGRAM NO.	GBZ-F101A-A
	▲A1				VERIFIED BY	QTY	1	XX	MODEL	P835
						VERSION	A1			
						RATIO	1:10			



CHANGE DATE	CHANGE DESCRIPTION	CHANGE NO.	NAME	 RESTRICTED USAGE , PLEASE DON'T FORWARD TO ANYONE WHO ISN'T AUTHORIZED	DRAWN BY	UNITS	MM	SALES BLOW UP DIAGRAM	DIAGRAM NO.	GBZ-F101B-A	
2025.06.25	 新增		張又仁		VERIFIED BY	QTY	1				P835
						VERSION	A1	XX		MODEL	
						RATIO	1:12				

