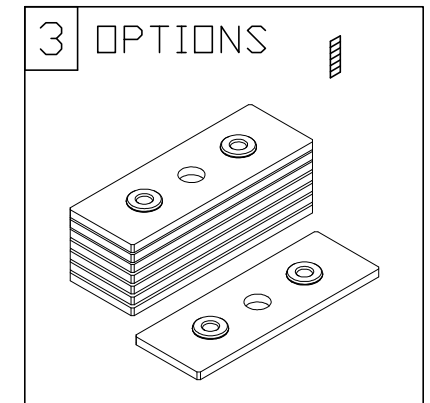
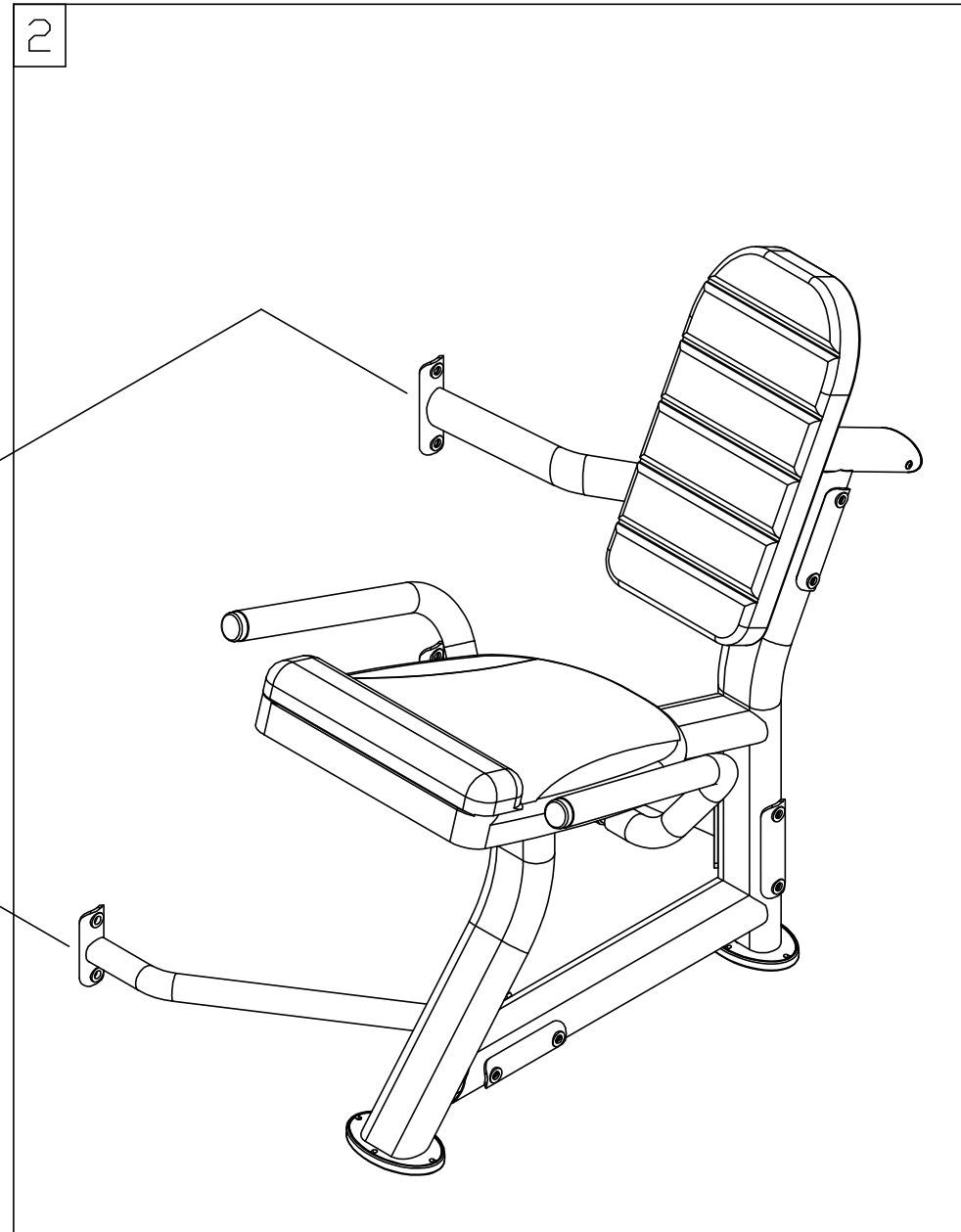
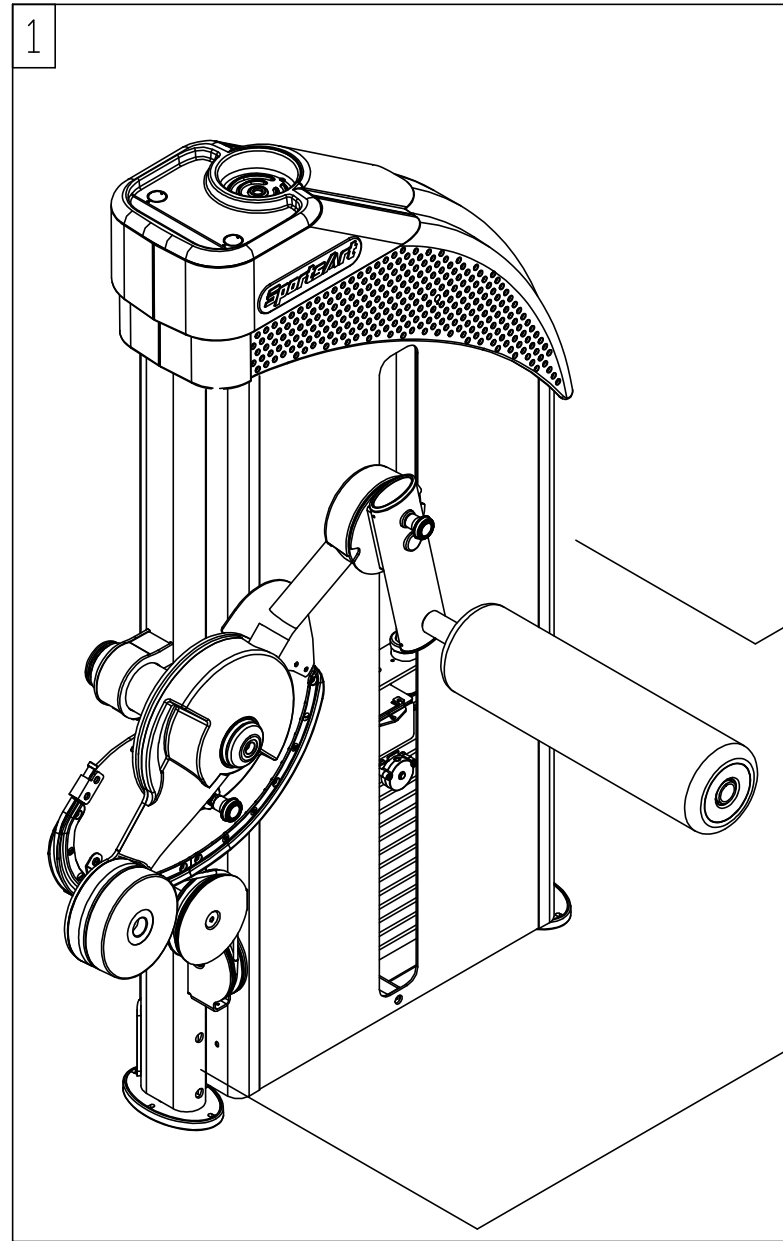
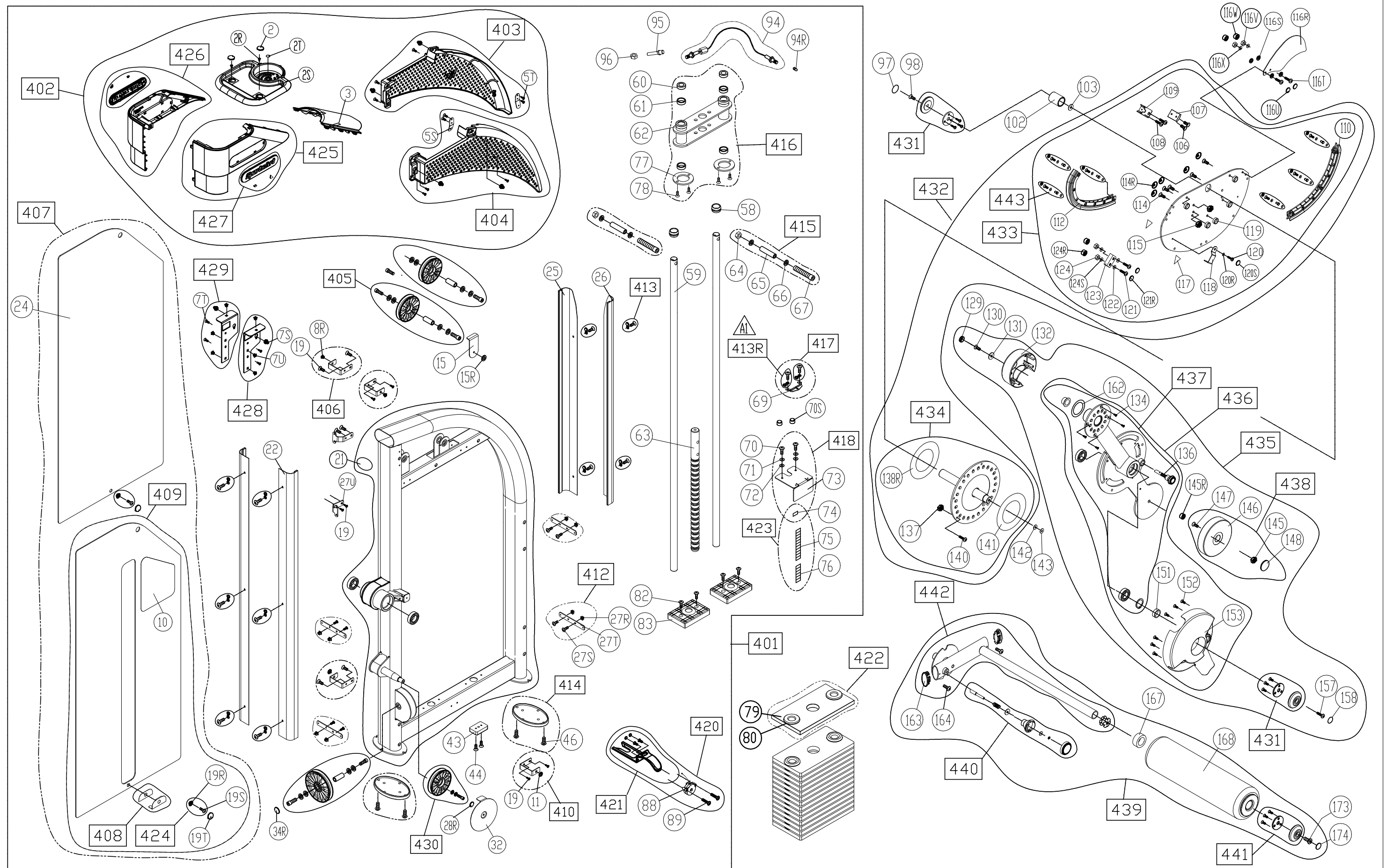


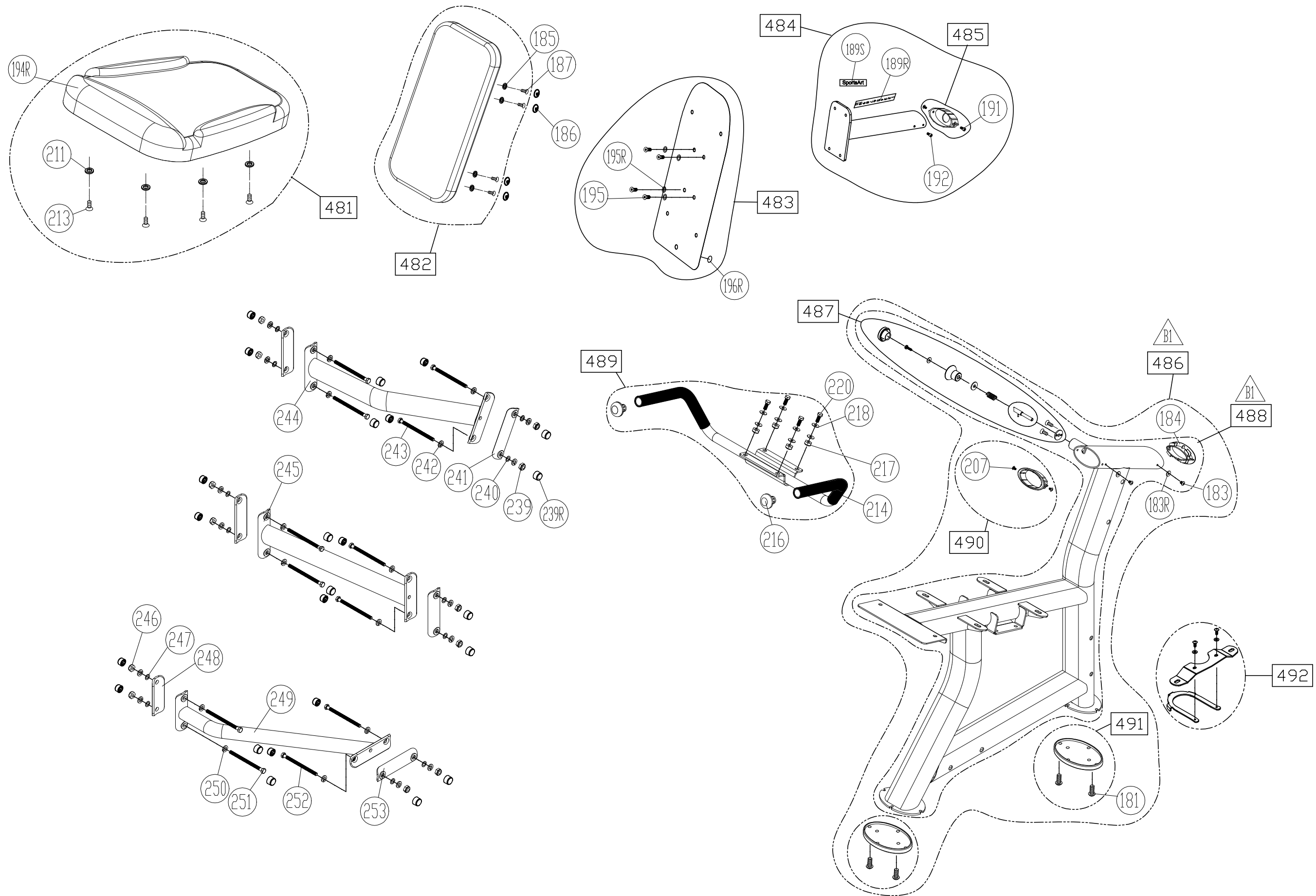
No.	Diagram	Tool Needed	Part Number	components Number
1	GBF-F101B		① ~ ①74	401 ~ 443
2	GBF-F101C		①81 ~ ②53	481 ~ 492
3	GCA-F101D	OPTIONS		P401
4				



CHANGE DATE	CHANGE DESCRIPTION	CHANGE NO.	NAME	SportsArt FITNESS RESTRICTED USAGE , PLEASE DON'T FORWARD TO ANYONE WHO ISN'T AUTHORIZED	DRAWN BY	UNITS	MM	SALES BLOW UP DIAGRAM	DIAGRAM NO.	GBF-F101A-A	
	▲A1				VERIFIED BY	QTY	1	XX		MODEL	P857
						VERSION	A1				
						RATIO	1:10				



CHANGE DATE	CHANGE DESCRIPTION	CHANGE NO.	NAME	 RESTRICTED USAGE , PLEASE DON'T FORWARD TO ANYONE WHO ISN'T AUTHORIZED	DRAWN BY	UNITS	MM	SALES BLOW UP DIAGRAM	DIAGRAM NO.	GBF-F101B-B	
2025.06.25	▲ 新增 413R		張又仁		VERIFIED BY	QTY	1				P857
2025.09.17	▲ 取消單寄 (165) (163R) (163S) (163T) (165V) (165W) (165X)	05-20250802M	林雅青			VERSION	B1	XX		MODEL	
2026.05.13	▲ 取消 (12)		張又仁			RATIO	1:13				



CHANGE DATE	CHANGE DESCRIPTION	CHANGE NO.	NAME	 RESTRICTED USAGE , PLEASE DON'T FORWARD TO ANYONE WHO ISN'T AUTHORIZED	DRAWN BY	UNITS	MM	SALES BLOW UP DIAGRAM	DIAGRAM NO.	GBF-F101C-B P857
2025.09.17	取消 197, 198, 199, 201, 201R, 202, 203, 204, 205, 206, 改 200 整組	05-20250802M	林雅青			QTY	1			
2025.09.17	修改 486 = 486A , 488 = 488A	05-20250807M	林雅青		VERIFIED BY	VERSION	B1	XX	MODEL	
2025.11.07	修改 486A = 486 , 488A = 488		張又仁			RATIO	1:10			