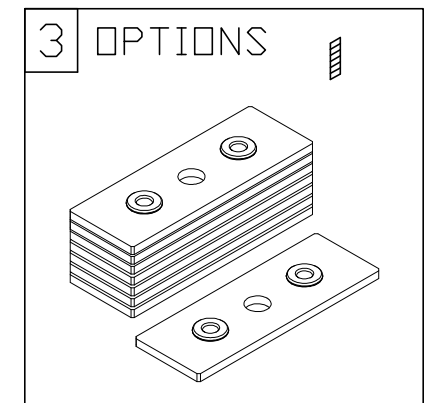
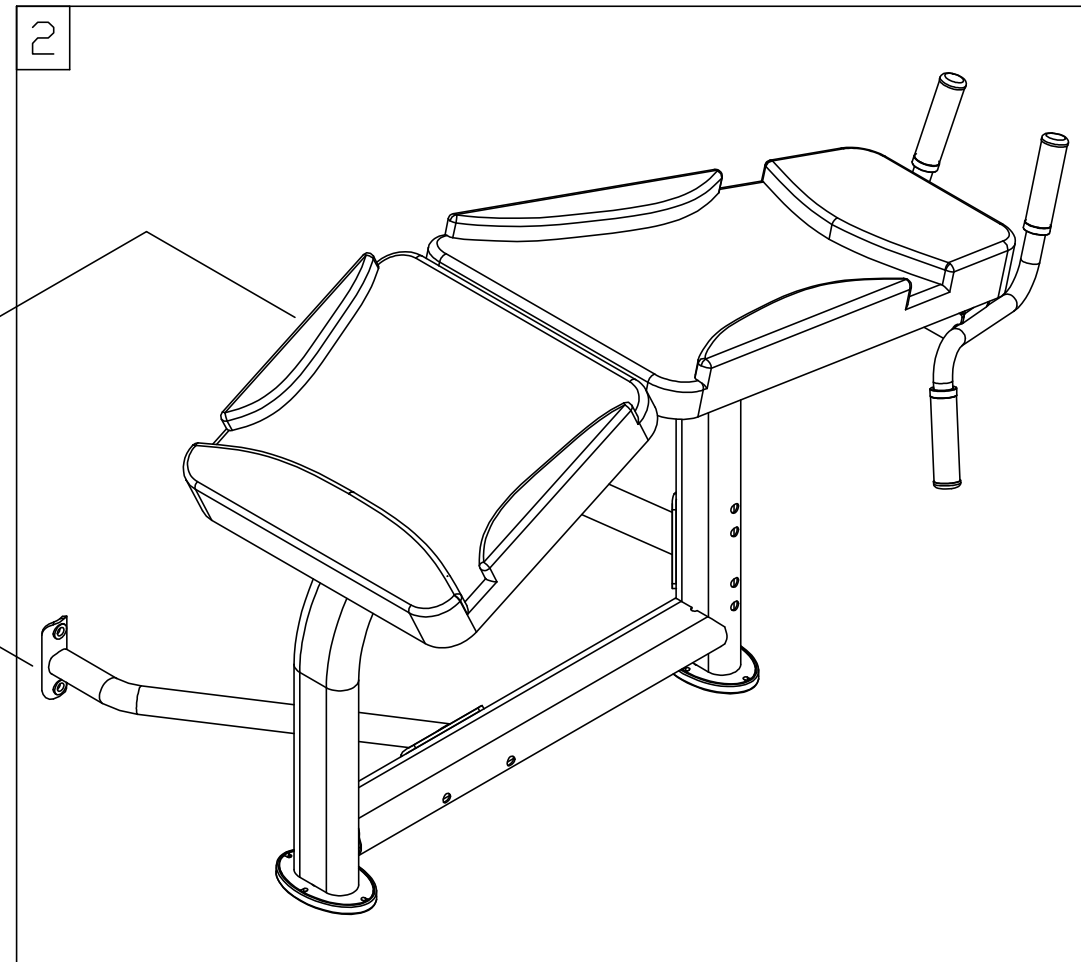
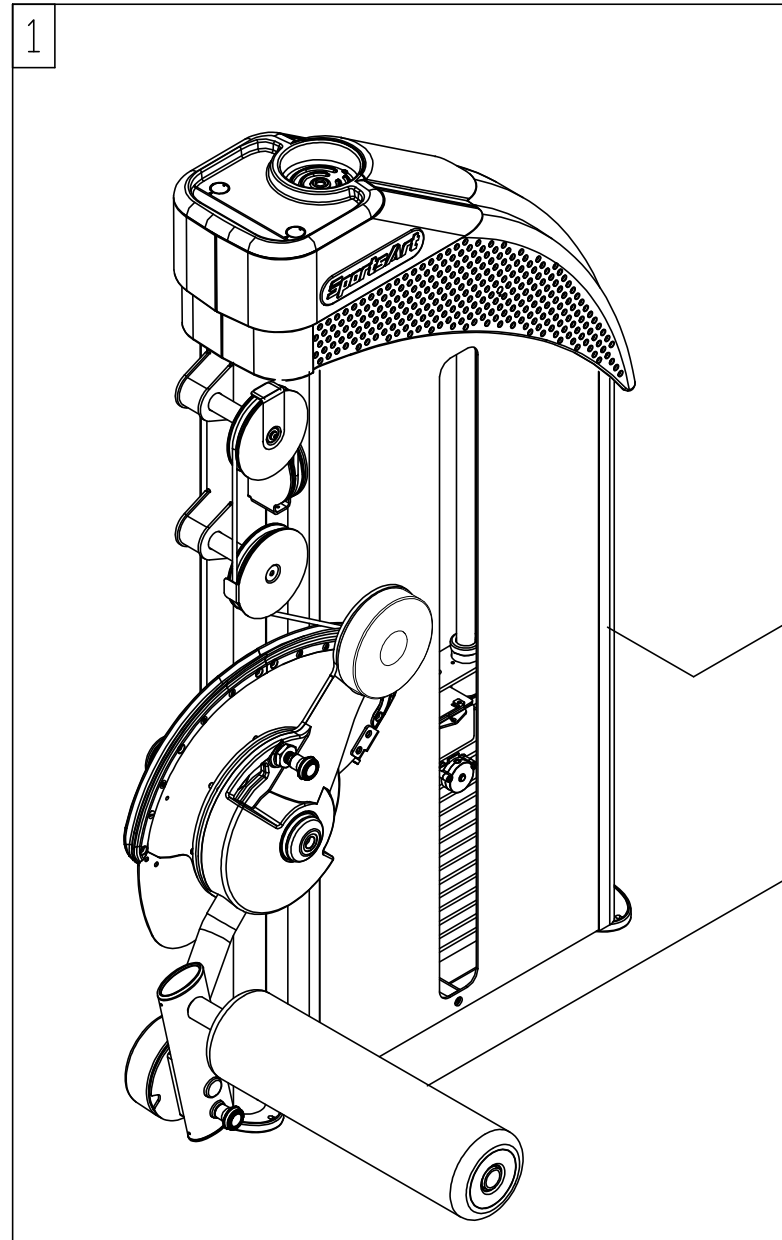
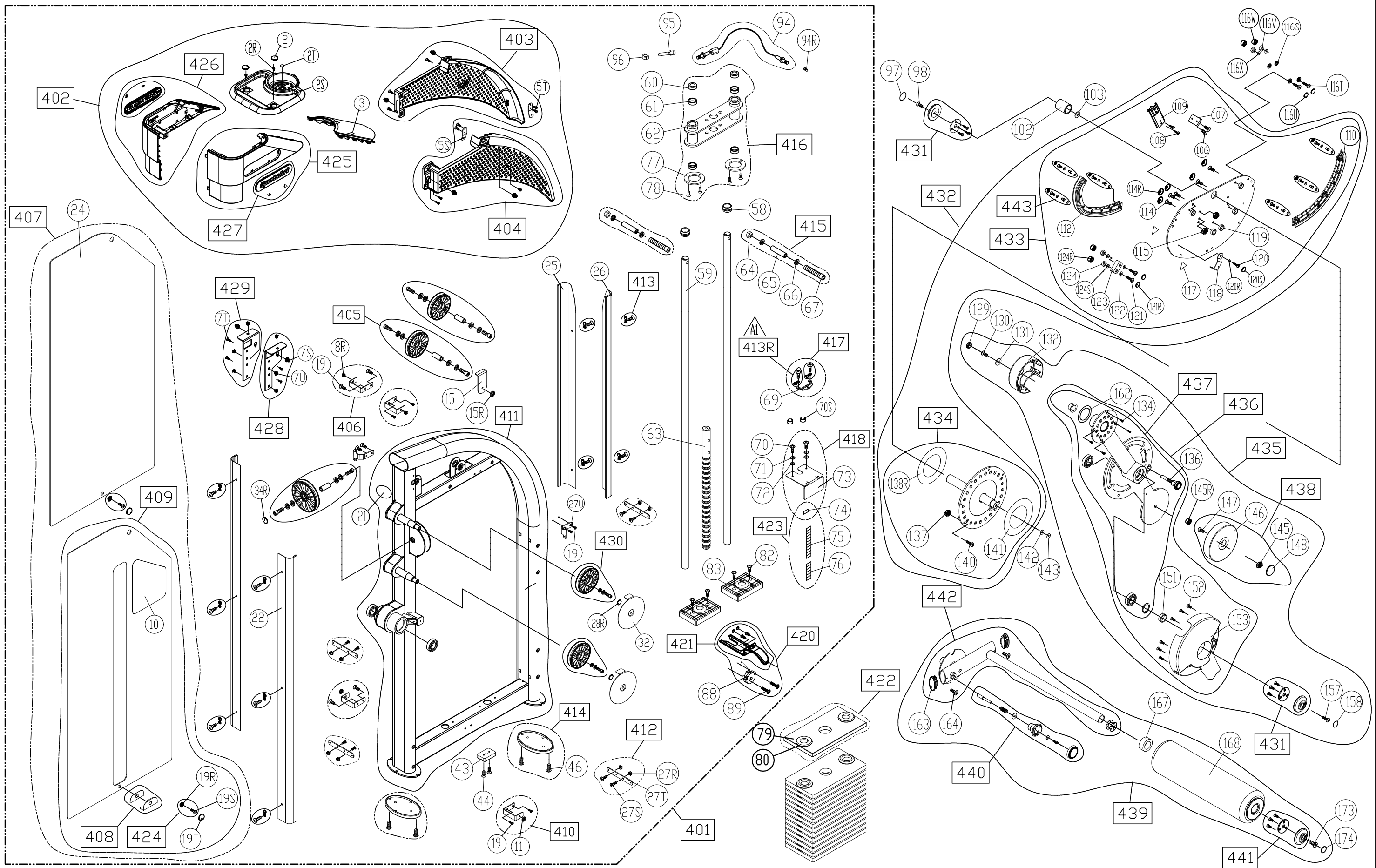


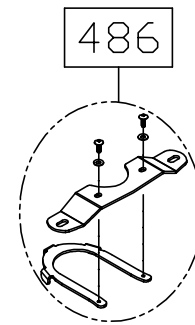
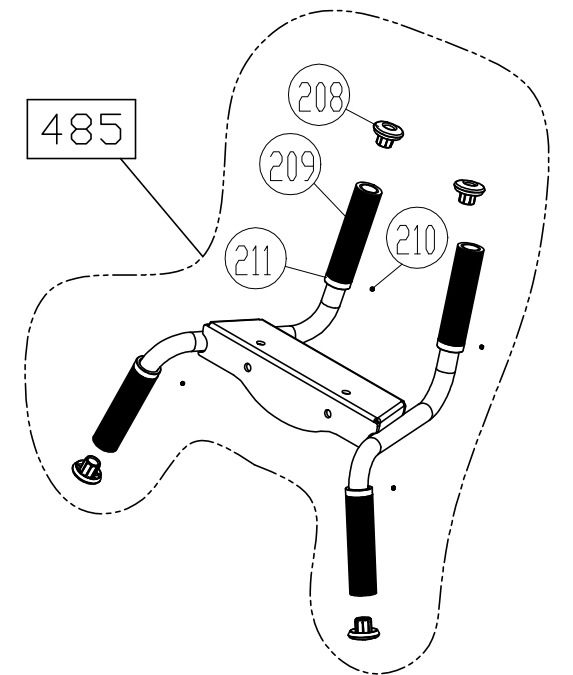
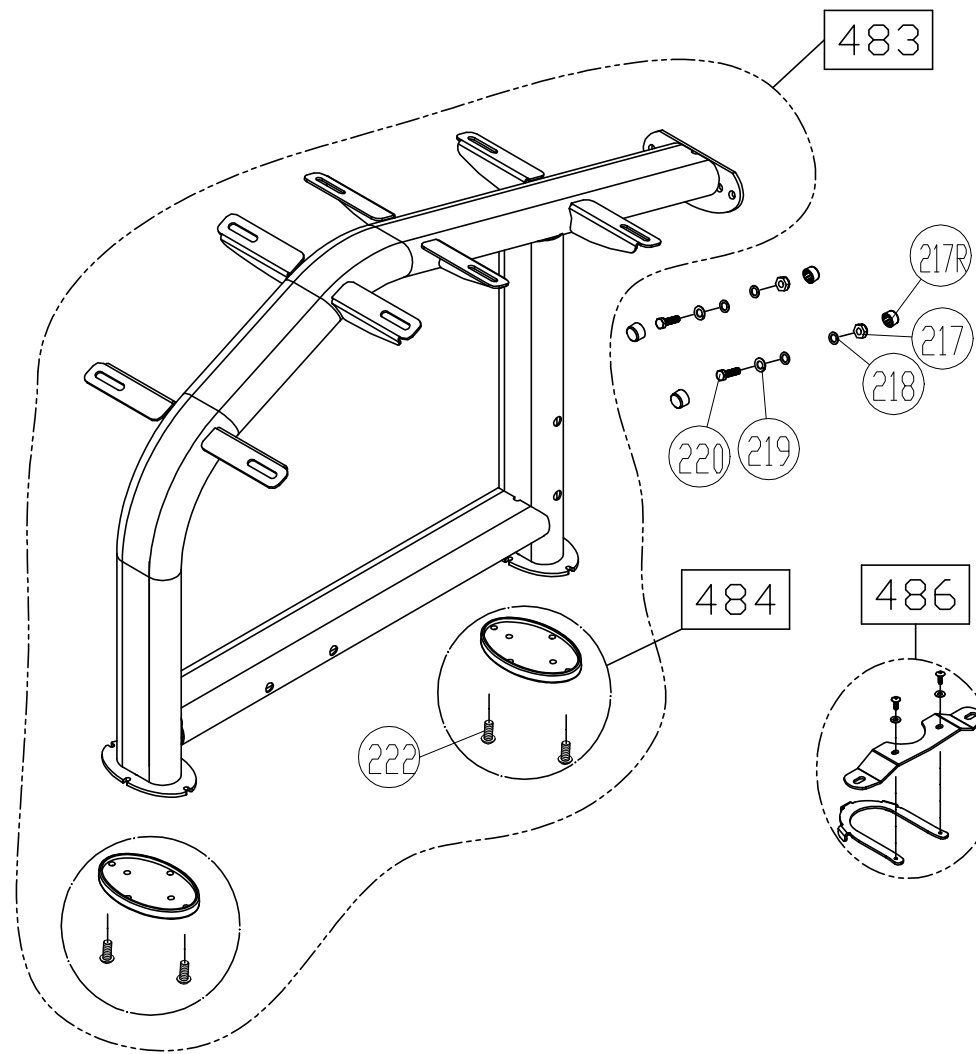
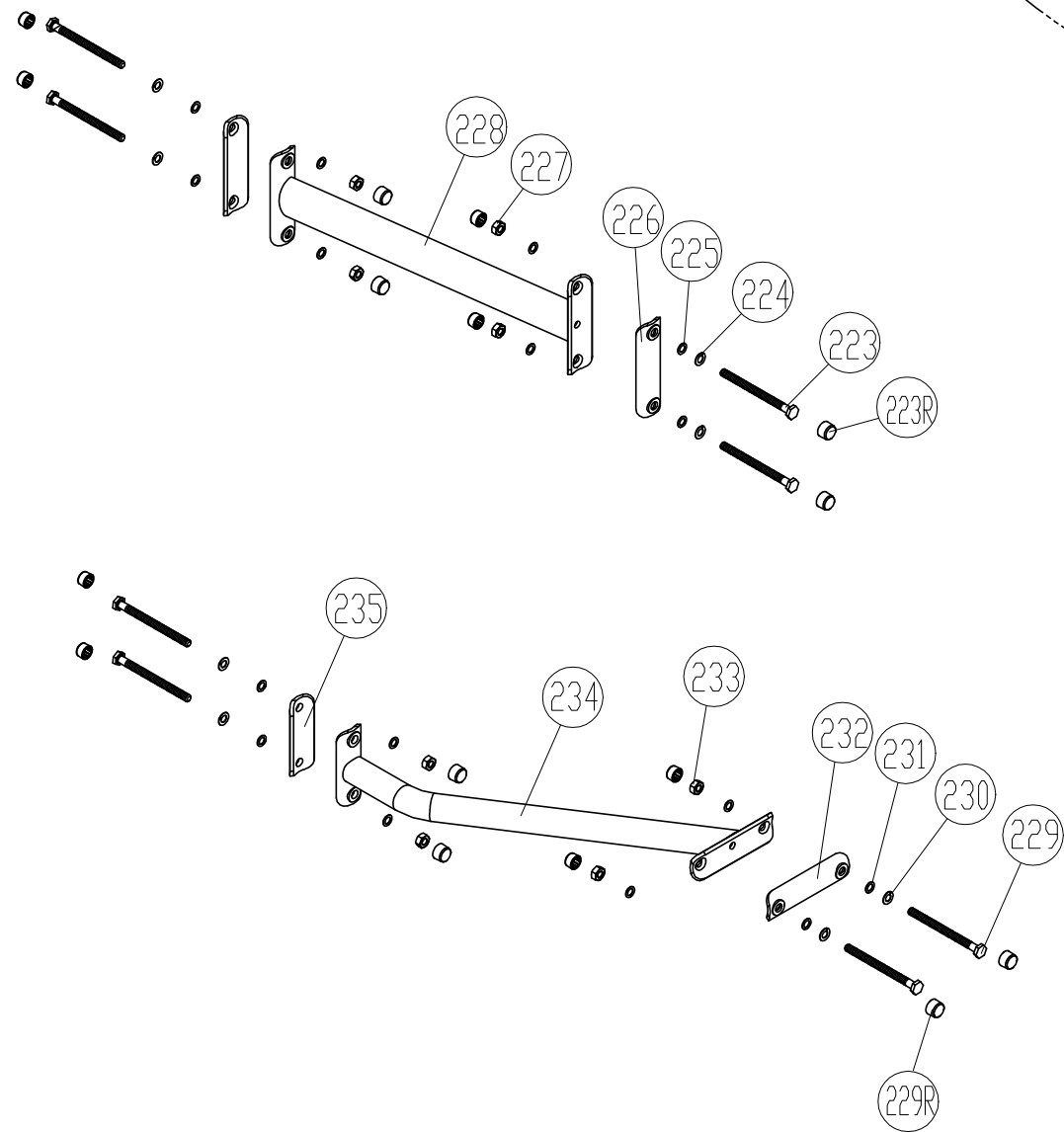
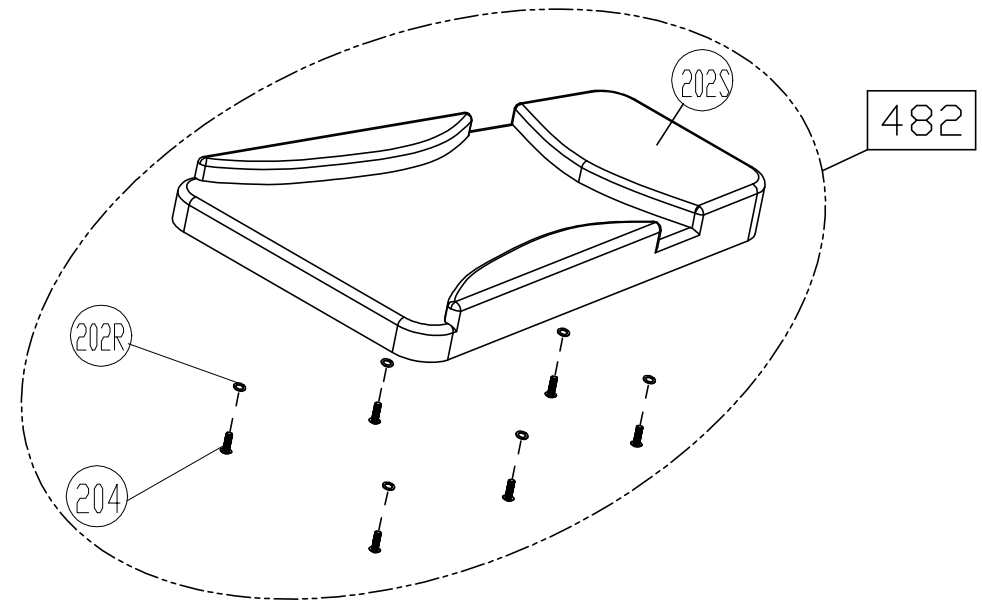
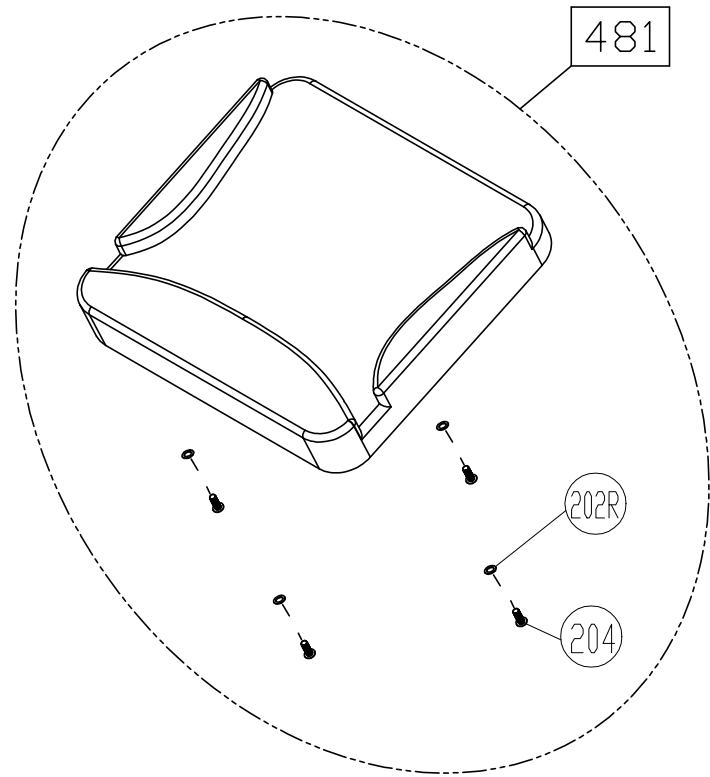
No.	Diagram	Tool Needed	Part Number	components Number
1	GBE-F101B		① ~ ①74	401 ~ 443
2	GBE-F101C		②01 ~ ②35	481 ~ 486
3	GCA-F101D	OPTIONS		P401
4				



CHANGE DATE	CHANGE DESCRIPTION	CHANGE NO.	NAME	SportsArt FITNESS RESTRICTED USAGE , PLEASE DON'T FORWARD TO ANYONE WHO ISN'T AUTHORIZED	DRAWN BY	UNITS	MM	SALES BLOW UP DIAGRAM	DIAGRAM NO.	GBE-F101A-A	
	▲A1				VERIFIED BY	QTY	1	XX		MODEL	P858
						VERSION	A1				
						RATIO	1:10				



CHANGE DATE	CHANGE DESCRIPTION	CHANGE NO.	NAME	 RESTRICTED USAGE , PLEASE DON'T FORWARD TO ANYONE WHO ISN'T AUTHORIZED	DRAWN BY	UNITS	MM	SALES BLOW UP DIAGRAM	DIAGRAM NO.	GBE-F101B-B	
2025.06.25	▲ 新增 413R		張又仁		VERIFIED BY	QTY	1				P858
2025.09.16	▲ 取消單寄 165 165R 165S 165T 165V 165W 165X	05-20250802M	林雅青			VERSION	B1	XX		MODEL	
2026.05.13	▲ 取消 12		張又仁			RATIO	1:13				



CHANGE DATE	CHANGE DESCRIPTION	CHANGE NO.	NAME
2025.07.08	取消 (201R)		張又仁

SportsArt
FITNESS

RESTRICTED USAGE ,
PLEASE DON'T FORWARD TO ANYONE WHO ISN'T AUTHORIZED

DRAWN BY	UNITS	MM	SALES BLOW UP DIAGRAM	DIAGRAM NO.	GBE-F101C-A
	QTY	1			P858
VERIFIED BY	VERSION	A1	XX	MODEL	
	RATIO	1:10			