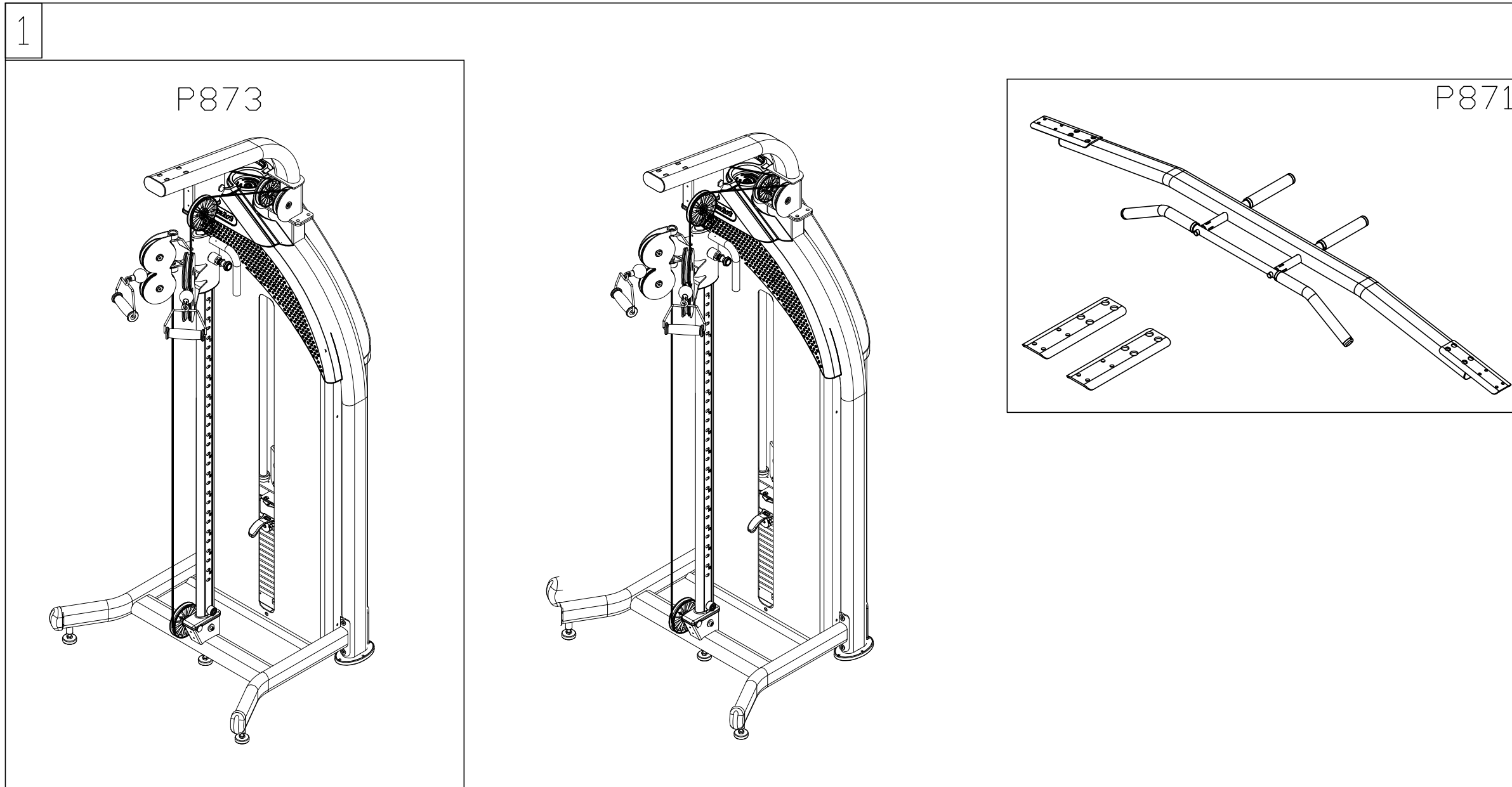
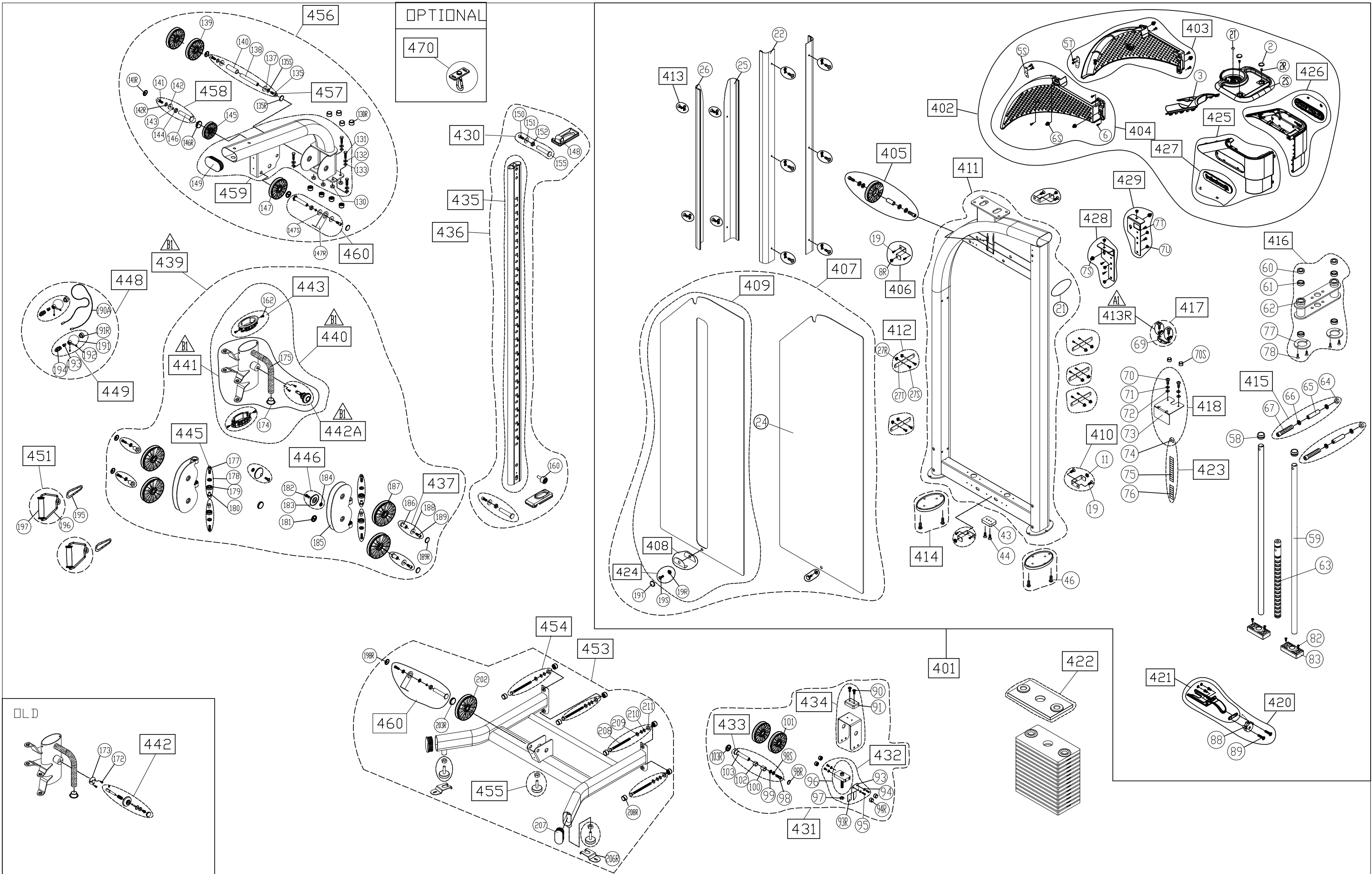


No.	Diagram	Tool Needed	Part Number	components Number
1	GBG-F101B		① ~ ②①①	401 ~ 460 470
2	GBG-F101C		①①② ~ ①②④⑥	463 ~ 468
3	GCA-F101D	OPTIONS		P401
4				

P871

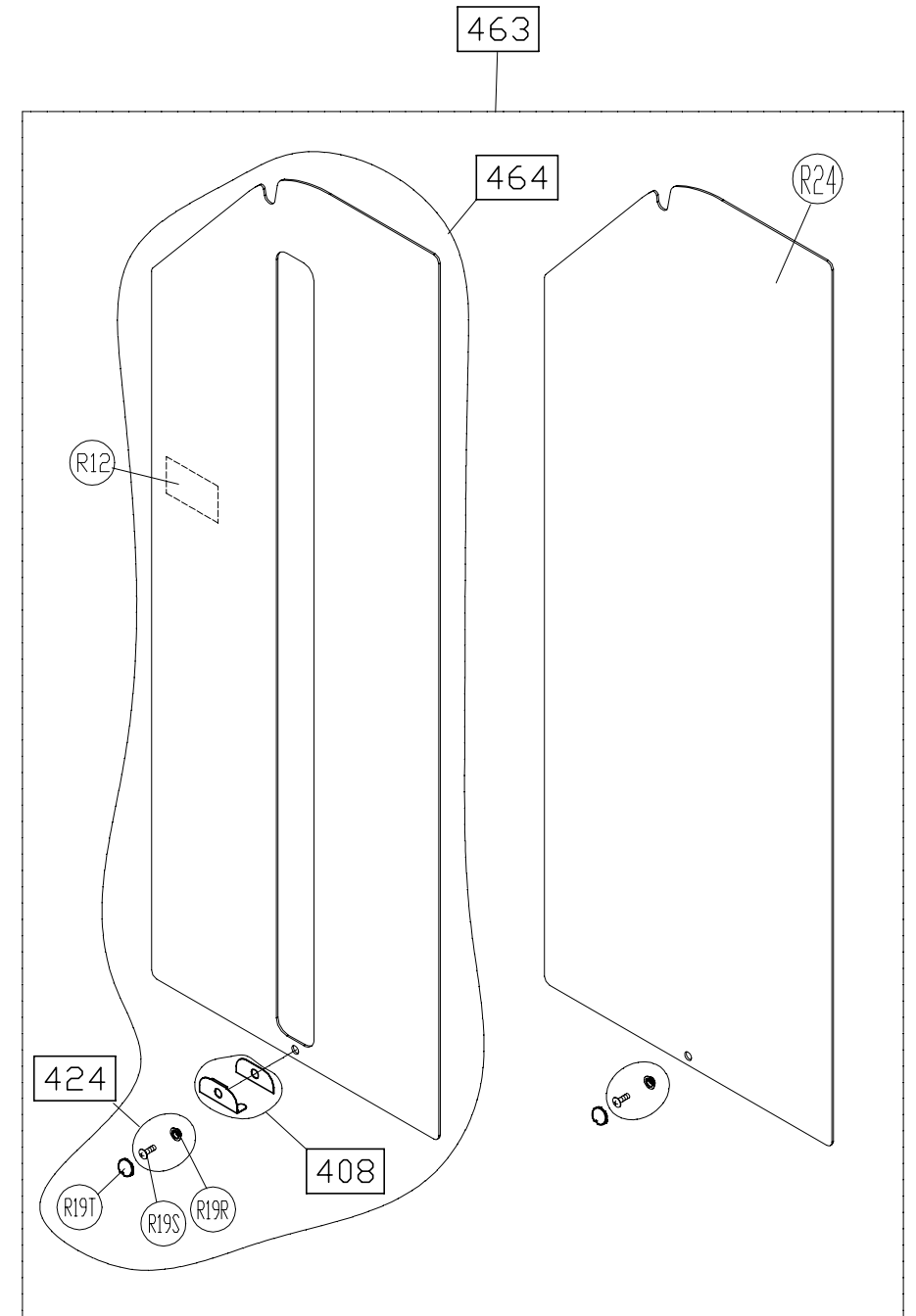
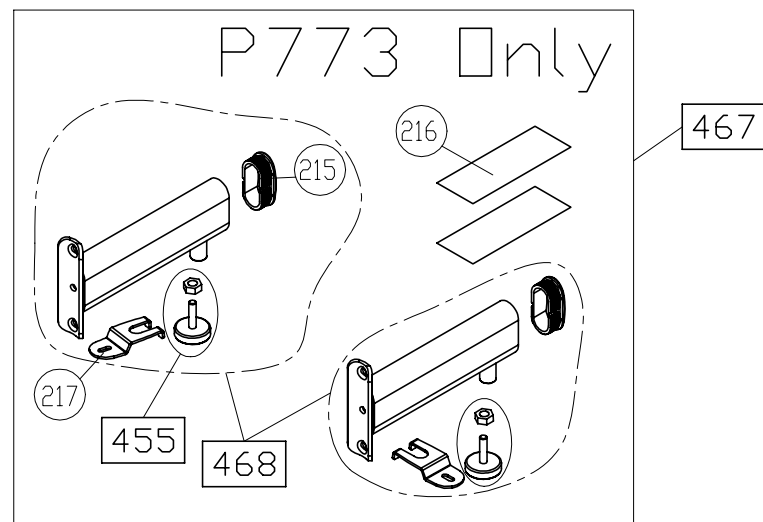
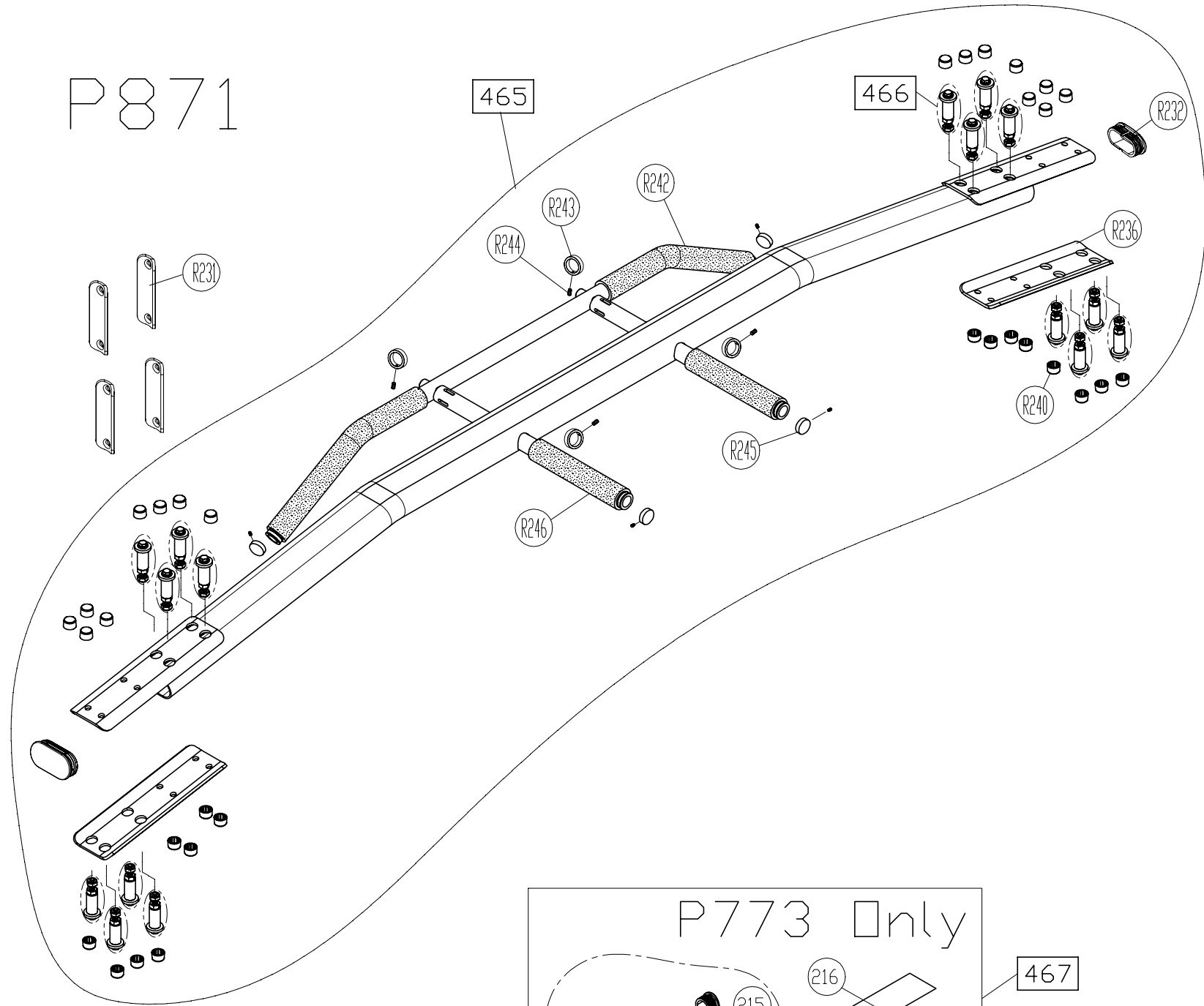


CHANGE DATE	CHANGE DESCRIPTION	CHANGE NO.	NAME	<p>RESTRICTED USAGE , PLEASE DON'T FORWARD TO ANYONE WHO ISN'T AUTHORIZED</p>	DRAWN BY	UNITS	MM	SALES BLOW UP DIAGRAM	DIAGRAM NO.	GBG-F101A-A	
	⚠ A1				VERIFIED BY	QTY	1			MODEL	P871 P873
						VERSION	A1		XX		
						RATIO	1:10				

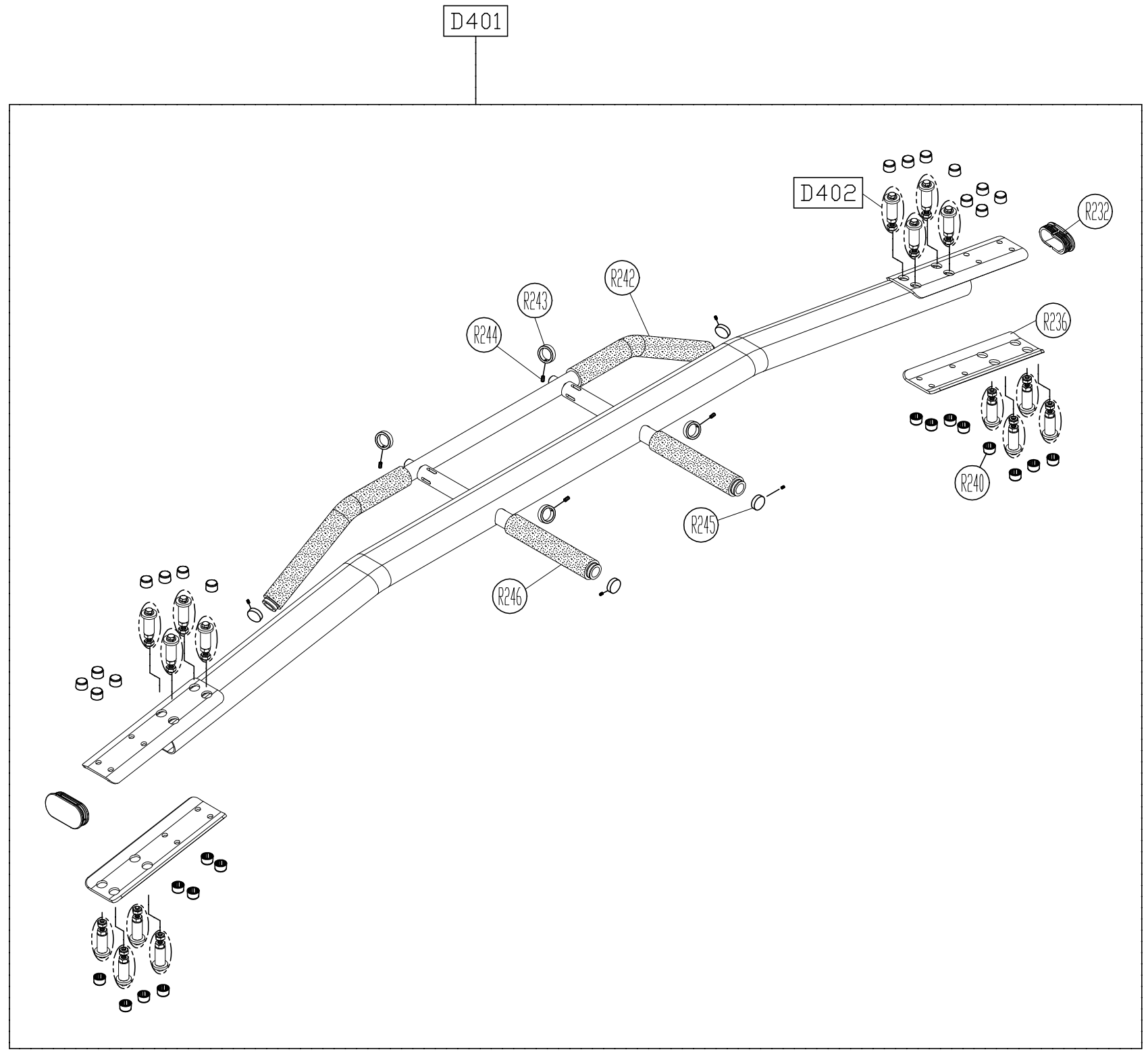


CHANGE DATE	CHANGE DESCRIPTION	CHANGE NO.	NAME	SPORTSART FITNESS	DRAWN BY	UNITS	MM	SALES BLOW UP DIAGRAM	DIAGRAM NO.	GBG-F101B-B
2026.05.13	取消 12		張又仁	RESTRICTED USAGE , PLEASE DON'T FORWARD TO ANYONE WHO ISN'T AUTHORIZED		QTY	1			P873/P871
2025.09.17	取消單寄 163 164 165 166 166B 167 168 169 171 170	05-20250802M	林雅青		VERIFIED BY	VERSION	B2	XX	MODEL	
2026.03.11	修改 439 440 441, 新增 442A	05-20251005M	張又仁		RATIO	1:16				

P871



CHANGE DATE	CHANGE DESCRIPTION	CHANGE NO.	NAME	 RESTRICTED USAGE , PLEASE DON'T FORWARD TO ANYONE WHO ISN'T AUTHORIZED	DRAWN BY	UNITS	MM	SALES BLOW UP DIAGRAM	DIAGRAM NO.	GBG-F101C-A	
					VERIFIED BY	QTY	1				P873/P871
						VERSION	A0		XX	MODEL	
						RATIO	1:10				



CHANGE DATE	CHANGE DESCRIPTION	CHANGE NO.	NAME	SportsArt FITNESS RESTRICTED USAGE , PLEASE DON'T FORWARD TO ANYONE WHO ISN'T AUTHORIZED	DRAWN BY	UNITS	MM	SALES BLOW UP DIAGRAM	DIAGRAM NO.	GBG-F101D-A
					VERIFIED BY	QTY	1	XX	MODEL	P871
						VERSION	A0			MS-101
						RATIO	1:10			