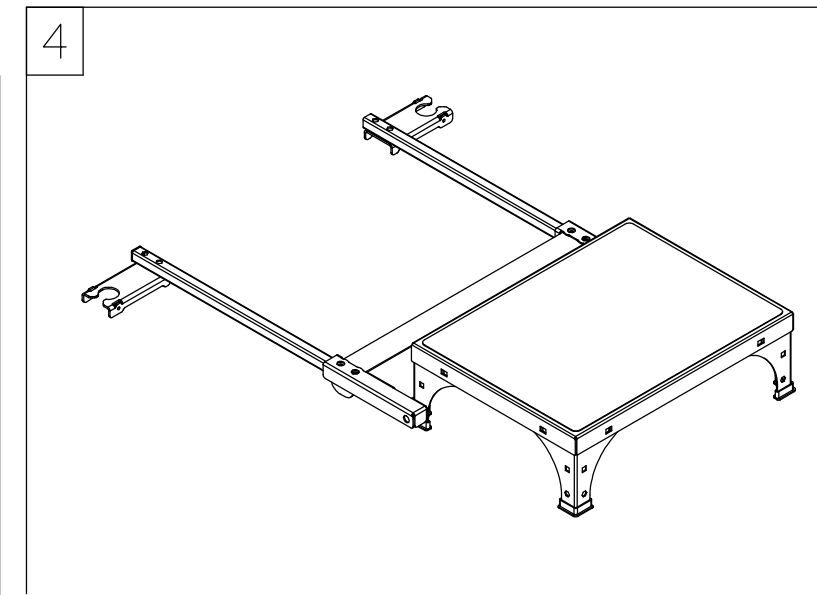
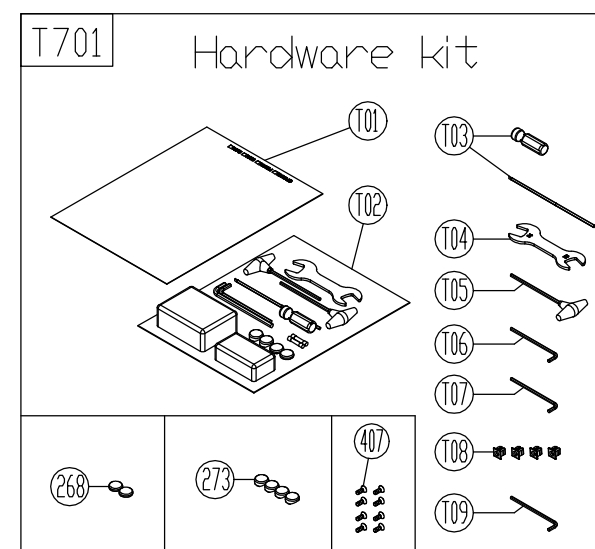
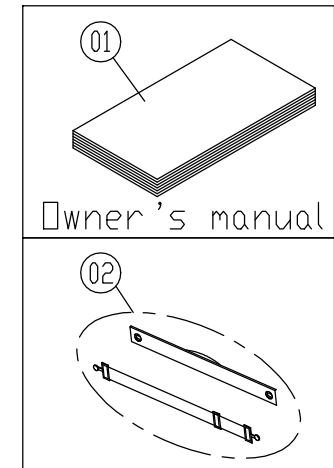


No.	Diagram	Tool Needed
1	TBQ-F101B	LED
2	TBQ-F101C	
3	TBQ-F101D	
4	TBP-F101E	OPTIONS

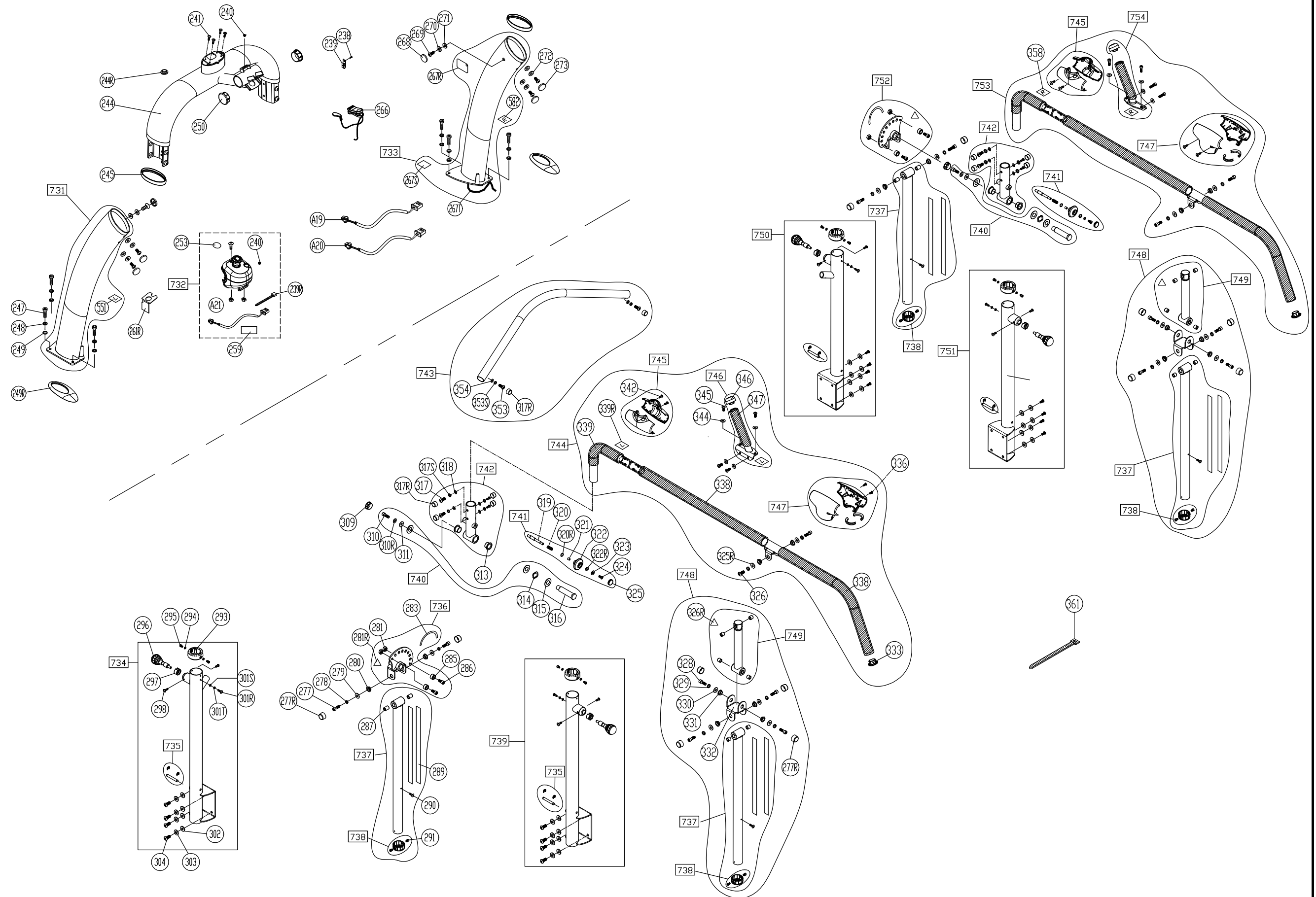


CHANGE DATE	CHANGE DESCRIPTION	CHANGE NO.	NAME

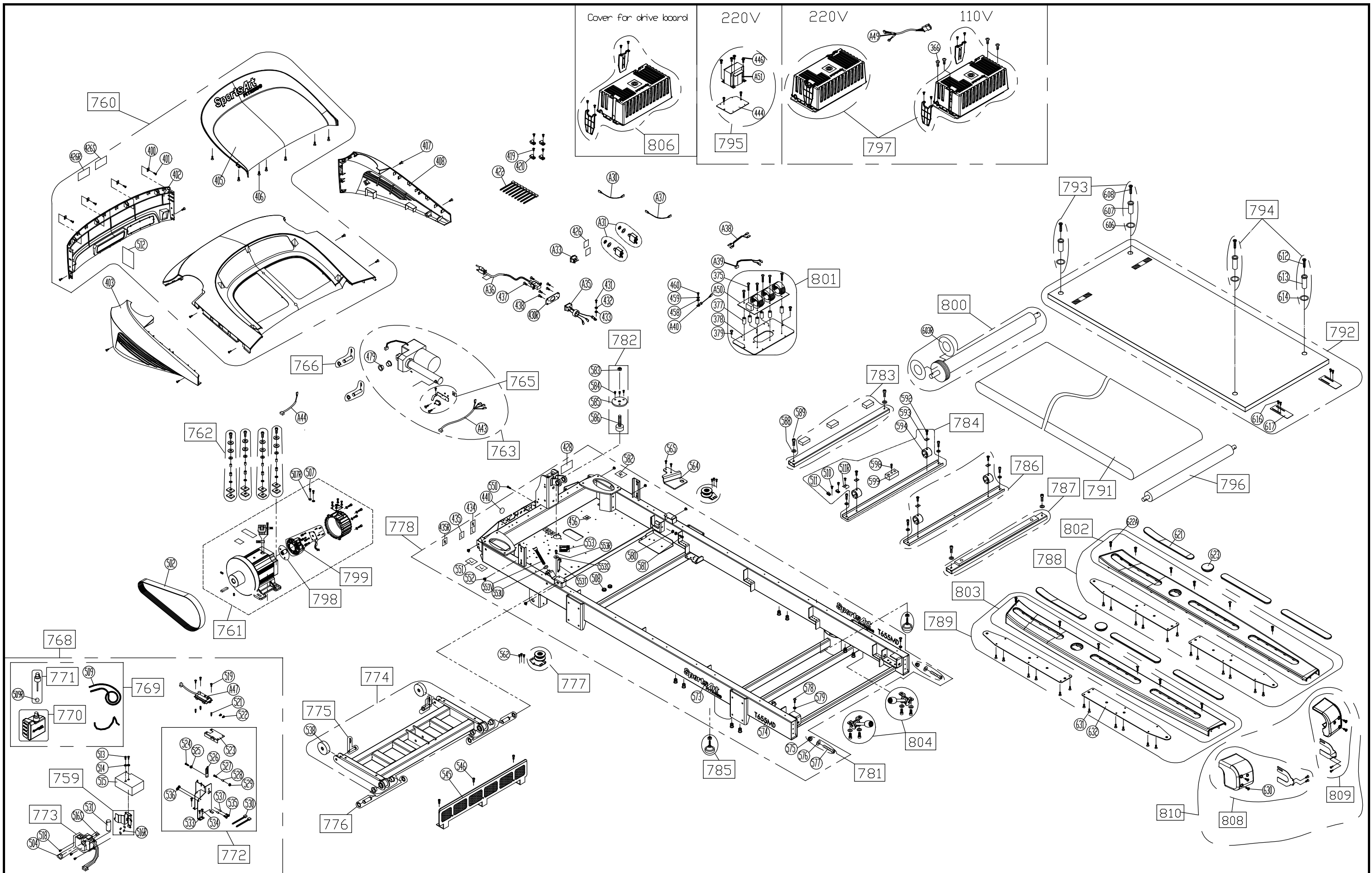
SportsArt
FITNESS

RESTRICTED USAGE,
PLEASE DON'T FORWARD TO ANYONE WHO ISN'T AUTHORIZED

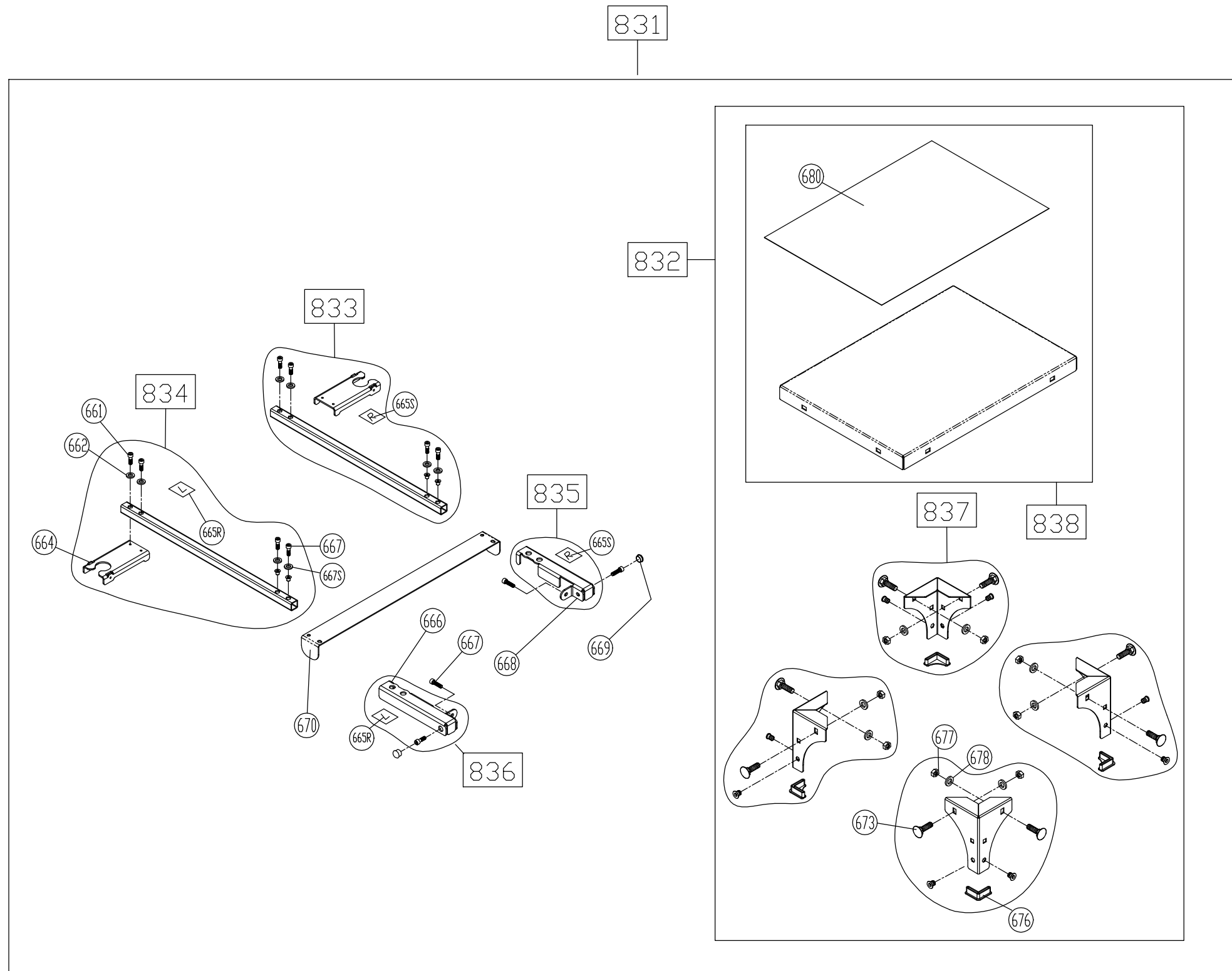
DRAWN BY	UNITS	MM	SALES BLOW UP DIAGRAM	DIAGRAM NO.	TBQ-F101A-A
	QTY	1	XX	MODEL	T655MD
	VERSION	A0			
	RATIO	1:12			



CHANGE DATE	CHANGE DESCRIPTION	CHANGE NO.	NAME	 <p>RESTRICTED USAGE , PLEASE DON'T FORWARD TO ANYONE WHO ISN'T AUTHORIZED</p>	DRAWN BY	UNITS	MM	SALES BLOW UP DIAGRAM	DIAGRAM NO.	TBQ-F101C-A	
					VERIFIED BY		QTY	1			T655MD-LED
							VERSION	A0	XX	MODEL	
							RATIO	1:15			



CHANGE DATE	CHANGE DESCRIPTION	CHANGE NO.	NAME	 RESTRICTED USAGE , PLEASE DON'T FORWARD TO ANYONE WHO ISN'T AUTHORIZED	DRAWN BY	UNITS	MM	SALES BLOW UP DIAGRAM	DIAGRAM NO.	TBQ-F101D-A	
					VERIFIED BY	QTY	1				T655MD
						VERSION	A0		XX	MODEL	
						RATIO	1:17				



CHANGE DATE	CHANGE DESCRIPTION	CHANGE NO.	NAME	 RESTRICTED USAGE , PLEASE DON'T FORWARD TO ANYONE WHO ISN'T AUTHORIZED	DRAWN BY	UNITS	MM	SALES BLOW UP DIAGRAM	DIAGRAM NO.	TBQ-F101E-A	
					VERIFIED BY	QTY	1			MODEL	T655MD-LED
						VERSION	A0		XX		
						RATIO	1:10				