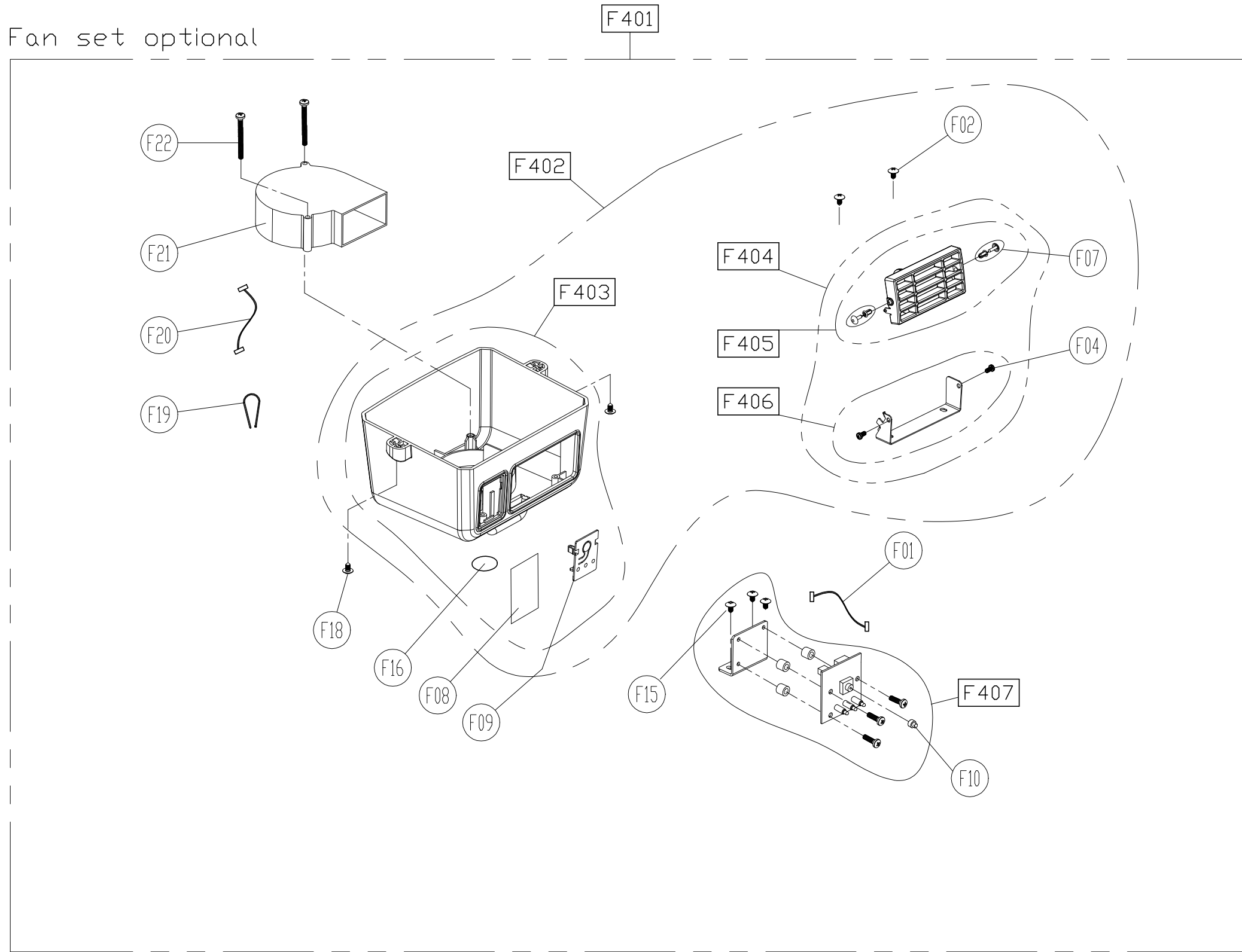
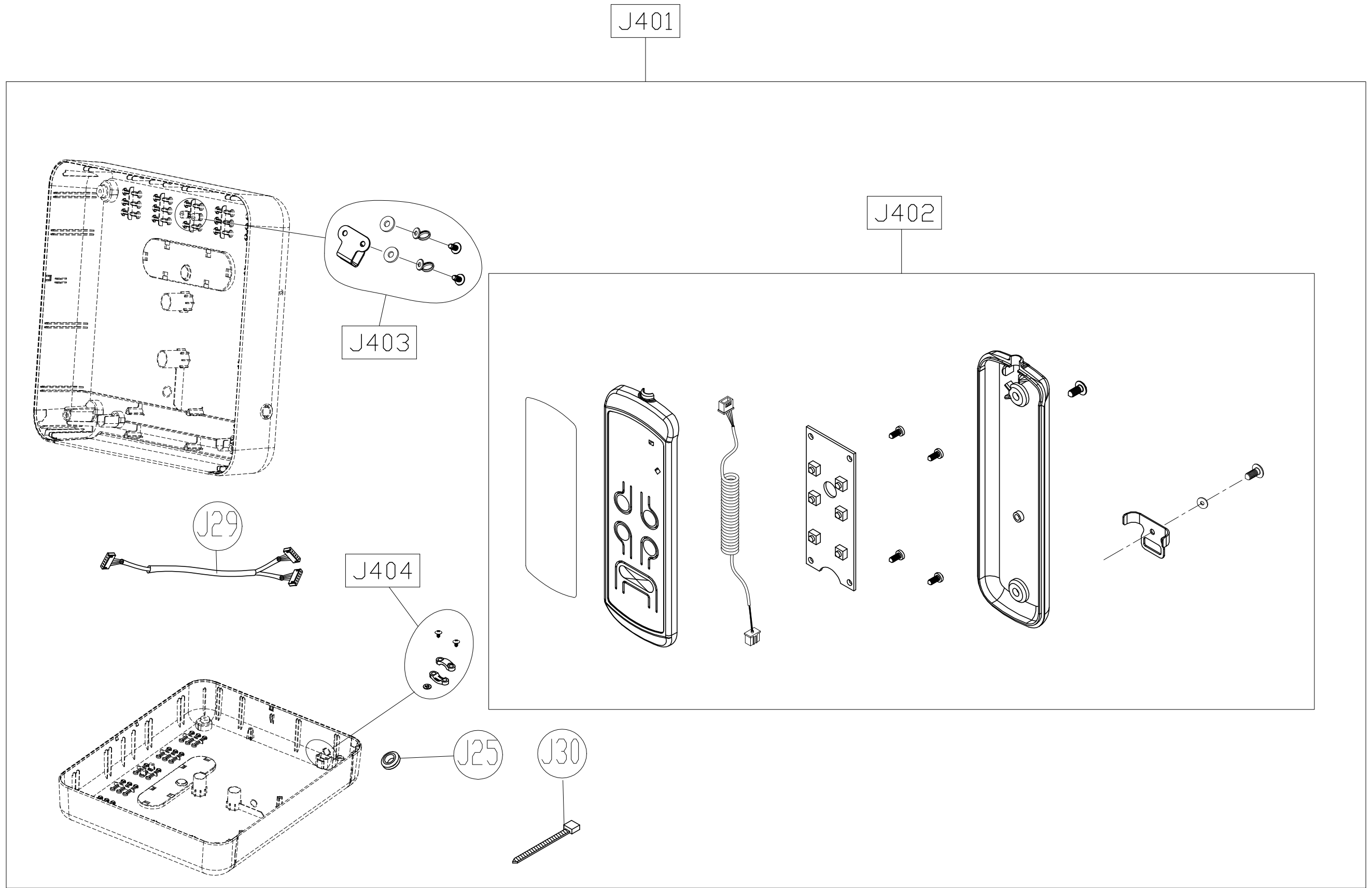


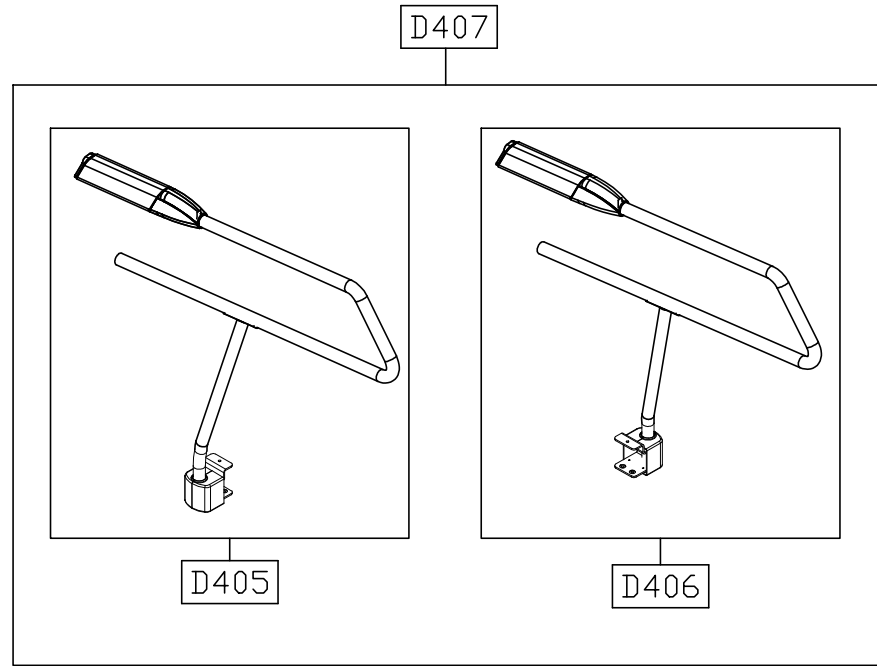
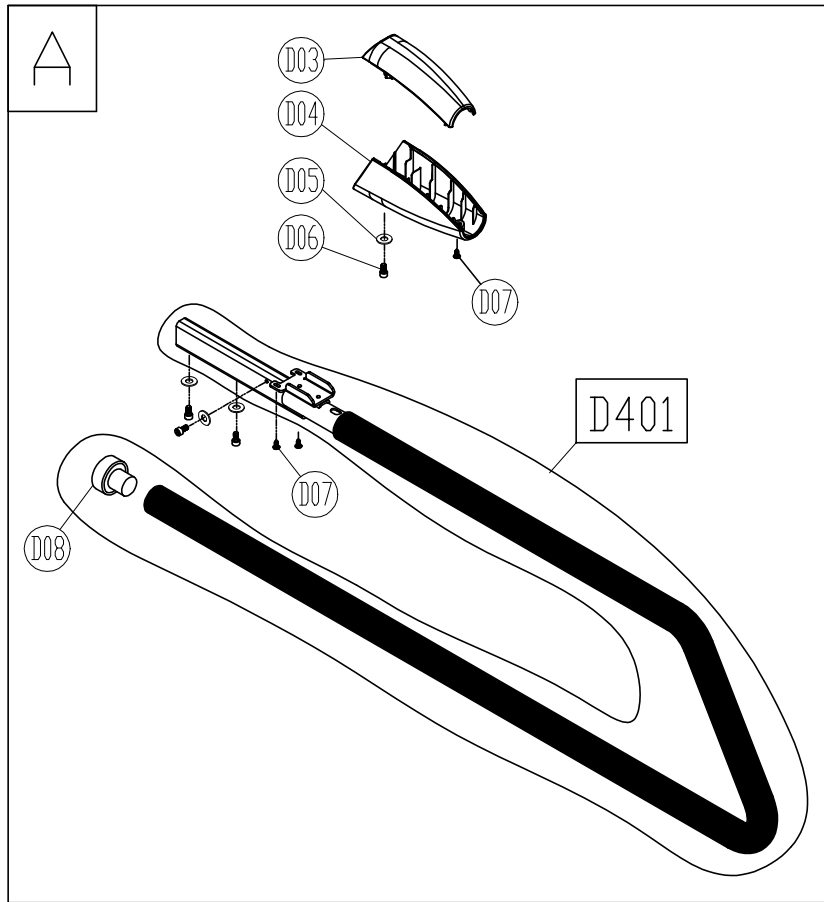
Fan set optional



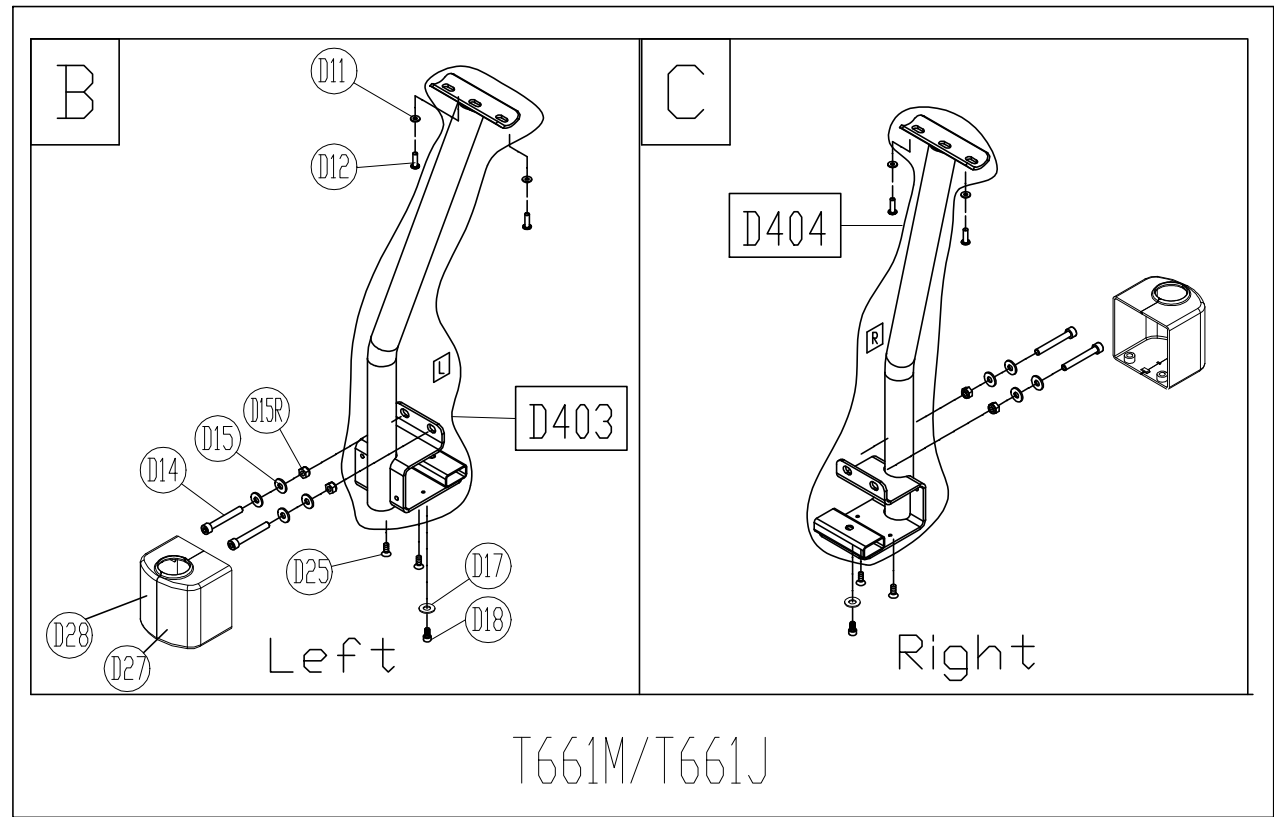
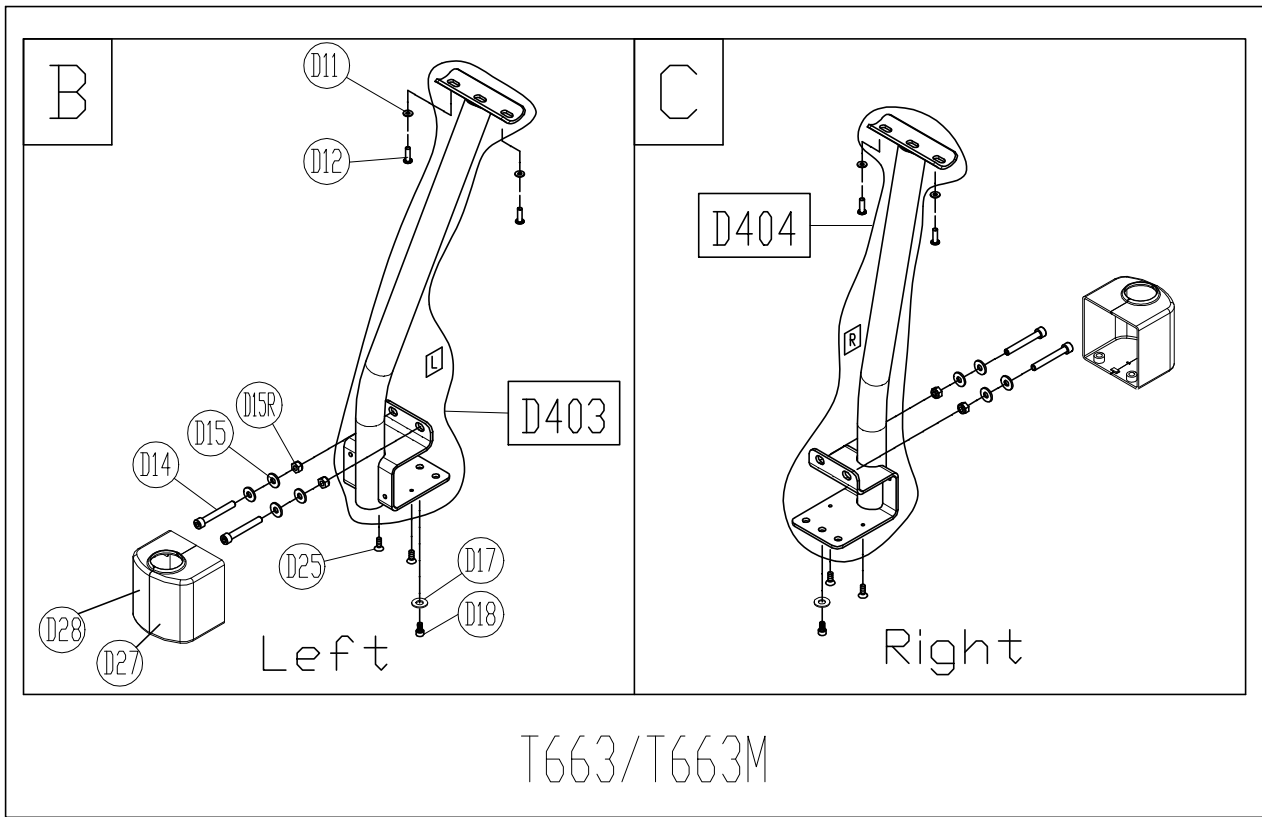
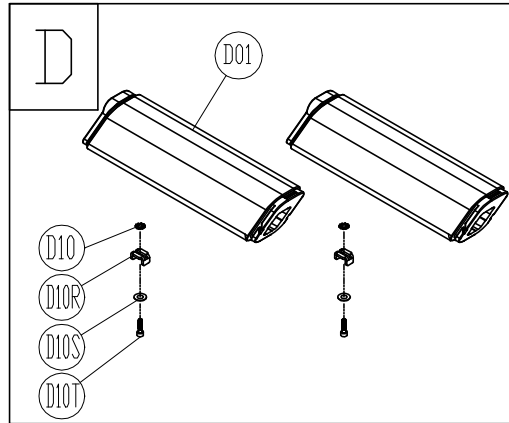
| CHANGE DATE | CHANGE DESCRIPTION | CHANGE NO. | NAME |  <p>RESTRICTED USAGE , PLEASE DON'T FORWARD TO ANYONE WHO ISN'T AUTHORIZED</p> | DRAWN BY | UNITS | MM | SALES BLOW UP DIAGRAM | DIAGRAM NO. | TBX-F101G-A | |
|-------------|--------------------|------------|------|---|-------------|---------|-----|-----------------------|-------------|-------------|-------------|
| | | | | | VERIFIED BY | QTY | 1 | | | MODEL | T665/T663 |
| | | | | | | VERSION | A0 | XX | | | T663M/T661J |
| | | | | | | RATIO | 1:4 | | | | T661/T661M |



| CHANGE DATE | CHANGE DESCRIPTION | CHANGE NO. | NAME |  RESTRICTED USAGE , PLEASE DON'T FORWARD TO ANYONE WHO ISN'T AUTHORIZED | DRAWN BY | UNITS | MM | SALES BLOW UP DIAGRAM | DIAGRAM NO. | TBX-F101H-A | |
|-------------|--------------------|------------|------|--|-------------|---------|-----|-----------------------|-------------|-------------|--|
| | | | | | VERIFIED BY | QTY | 1 | | | MODEL | T665/T663 T663M/T661J T661/T661M |
| | | | | | | VERSION | A0 | XX | | | |
| | | | | | | RATIO | 1:4 | | | | |



| No. | Diagram | components Number | |
|-------------|------------------|-------------------|-----------|
| ALL+OPTIONS | T663/T661J | D407 | A*2+B+C+D |
| ALL | T663M/T661M | D407 | A*2+B+C |
| Left | T663(M)/T661M(J) | D405 | A*1+B+C |
| Right | T663(M)/T661M(J) | D406 | A*1+B+C |

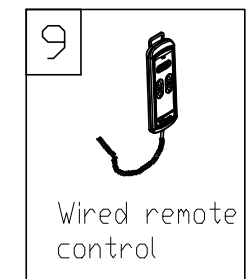
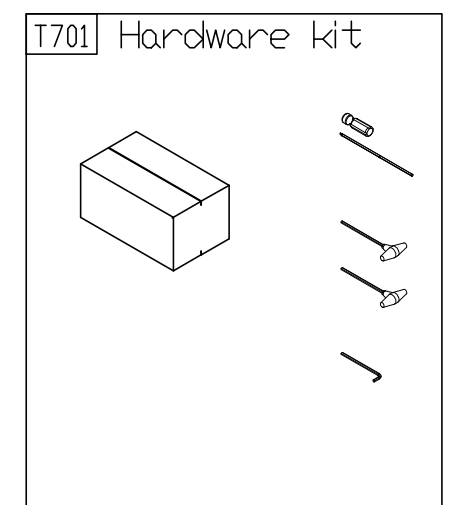
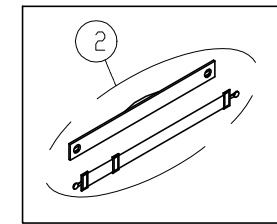
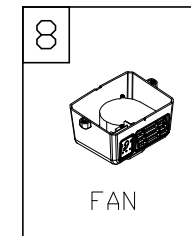
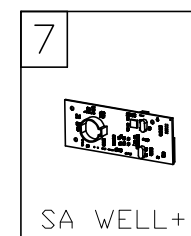
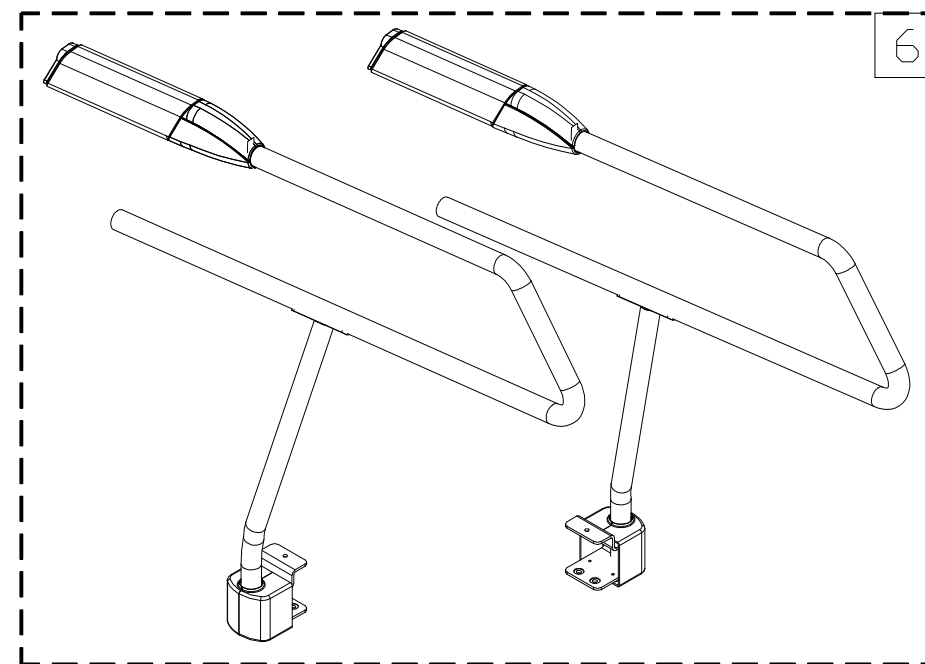
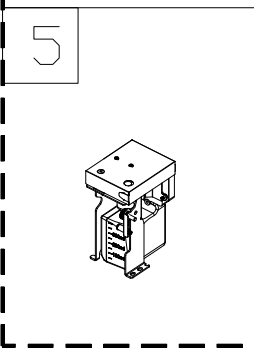
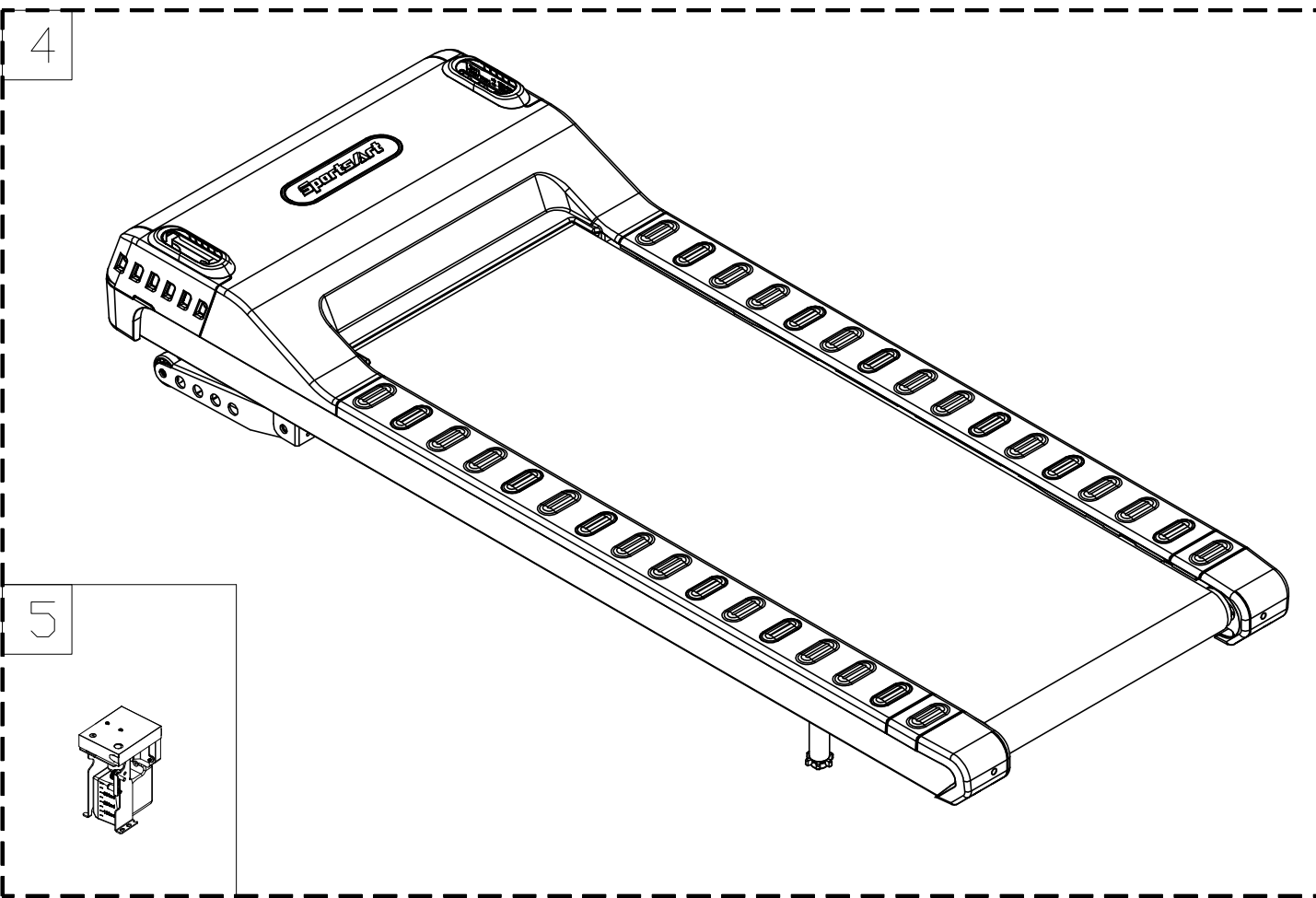
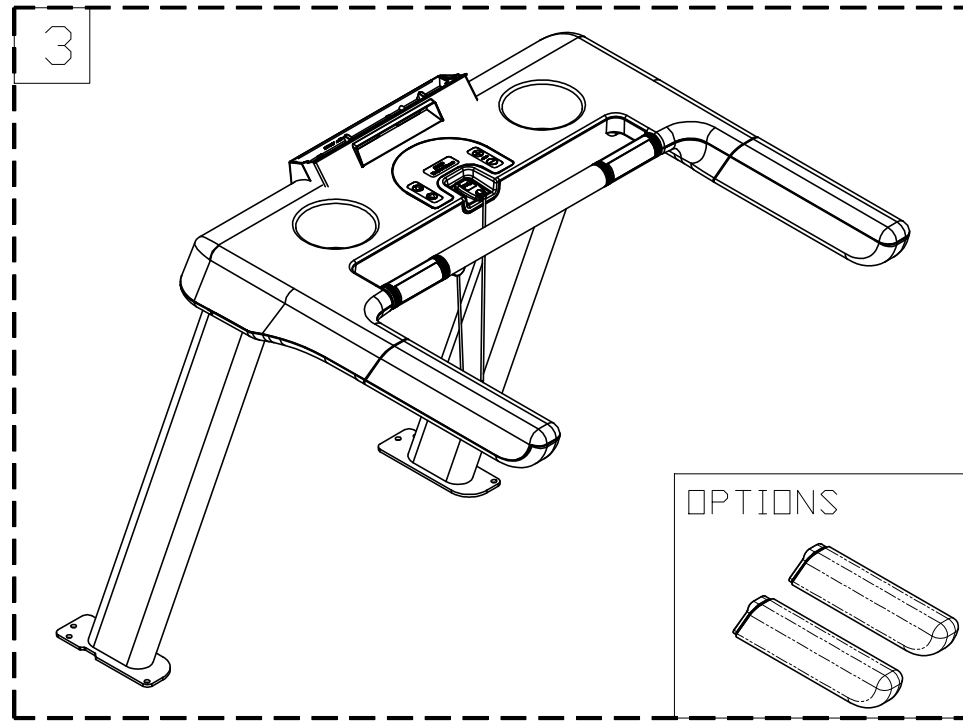
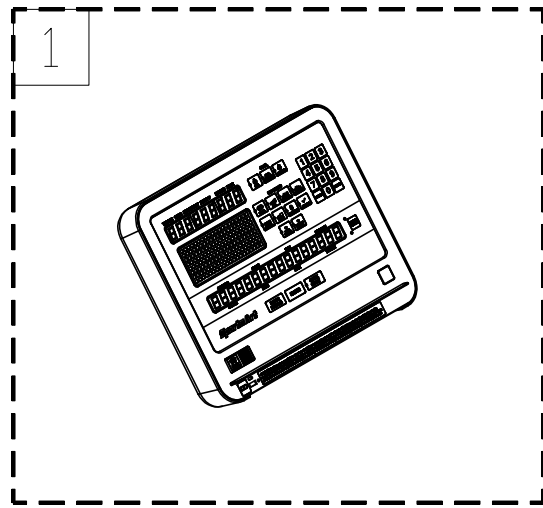


| CHANGE DATE | CHANGE DESCRIPTION | CHANGE NO. | NAME |
|-------------|--------------------|------------|------|
| | | | |
| | | | |
| | | | |

SportsArt
FITNESS

RESTRICTED USAGE ,
PLEASE DON'T FORWARD TO ANYONE WHO ISN'T AUTHORIZED

| DRAWN BY | UNITS | MM | SALES BLOW UP DIAGRAM | DIAGRAM NO. | TBX-F102E-A |
|----------|---------|------|-----------------------|-------------|---------------------------|
| | QTY | 1 | XX | MODEL | T663/T663M T661M/T661J |
| | VERSION | A0 | | | |
| | RATIO | 1:10 | | | |



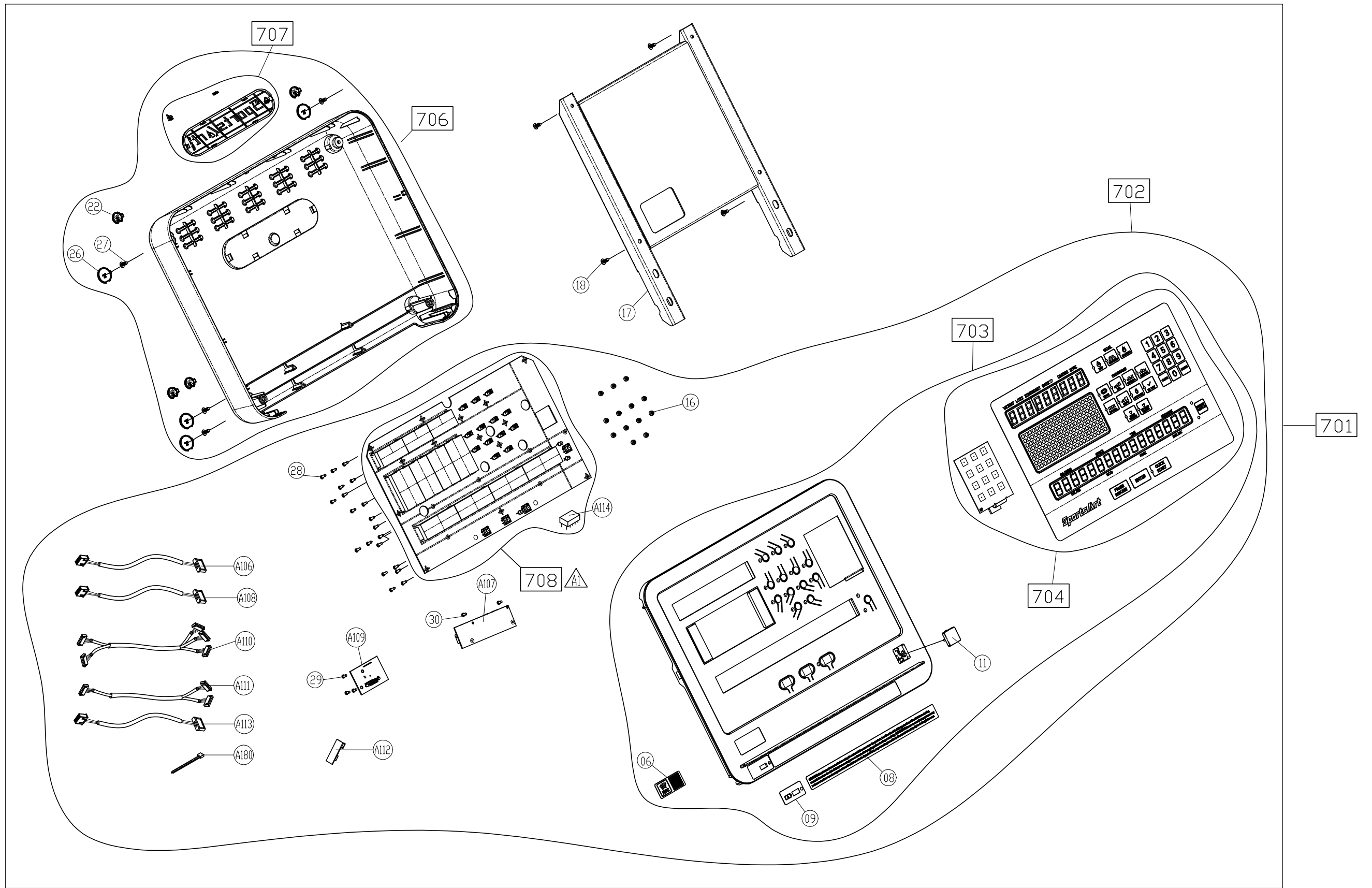
| No. | Diagram | Tool Needed | Part Number | components Number |
|-----|-----------|---------------------|----------------------------|-------------------|
| 1 | TBX-F104B | LCD | ⓪3 ~ ⓪30 Ⓐ101 ~ Ⓐ113 | 701 ~ 707 |
| 2 | | | | |
| 3 | TBX-F104C | | ⓪251 ~ ⓪315 Ⓐ201 ~ Ⓐ211 | 730 ~ 745 |
| 4 | TBX-F104D | | ⓪352 ~ ⓪536 Ⓐ301 ~ Ⓐ386 | 761 ~ 794 |
| 5 | TBX-F104F | | ⓪01 ~ ⓪39 | U701 ~ U707 |
| ⚠A1 | TBX-F102E | OPTIONS | ⓪01 ~ ⓪28 | D401 ~ D407 |
| 7 | TBR-F101G | OPTIONS SA WELL+ | ⓪01 ~ ⓪24 | Y710 |
| 8 | TBX-F101G | OPTIONS FAN | ⓪02 ~ ⓪22 | F401 ~ F407 |
| ⚠A2 | TBX-F101H | OPTIONS | ⓪01 ~ ⓪30 | J401 ~ J404 |

| CHANGE DATE | CHANGE DESCRIPTION | CHANGE NO. | NAME |
|-------------|--------------------|------------|------|
| 2025.05.07 | ⚠A1 新增長扶手組選配 | | 張又仁 |
| 2025.10.16 | ⚠A2 新增線控器選配 | | 張又仁 |

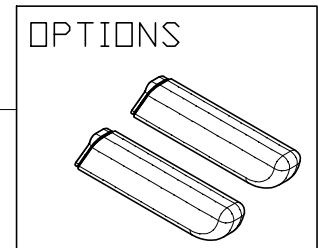
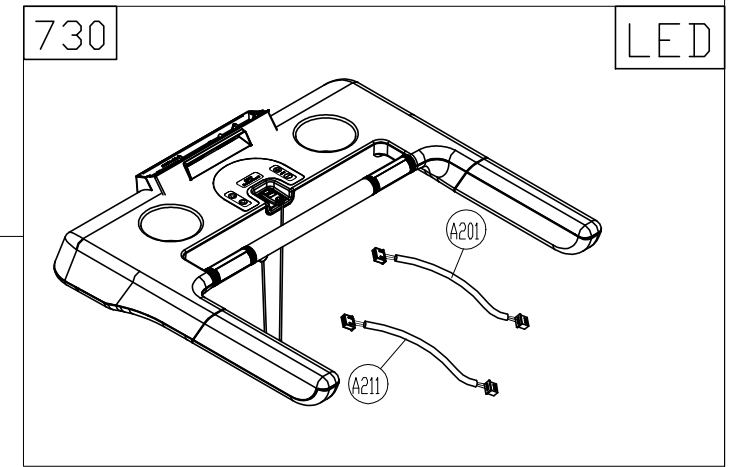
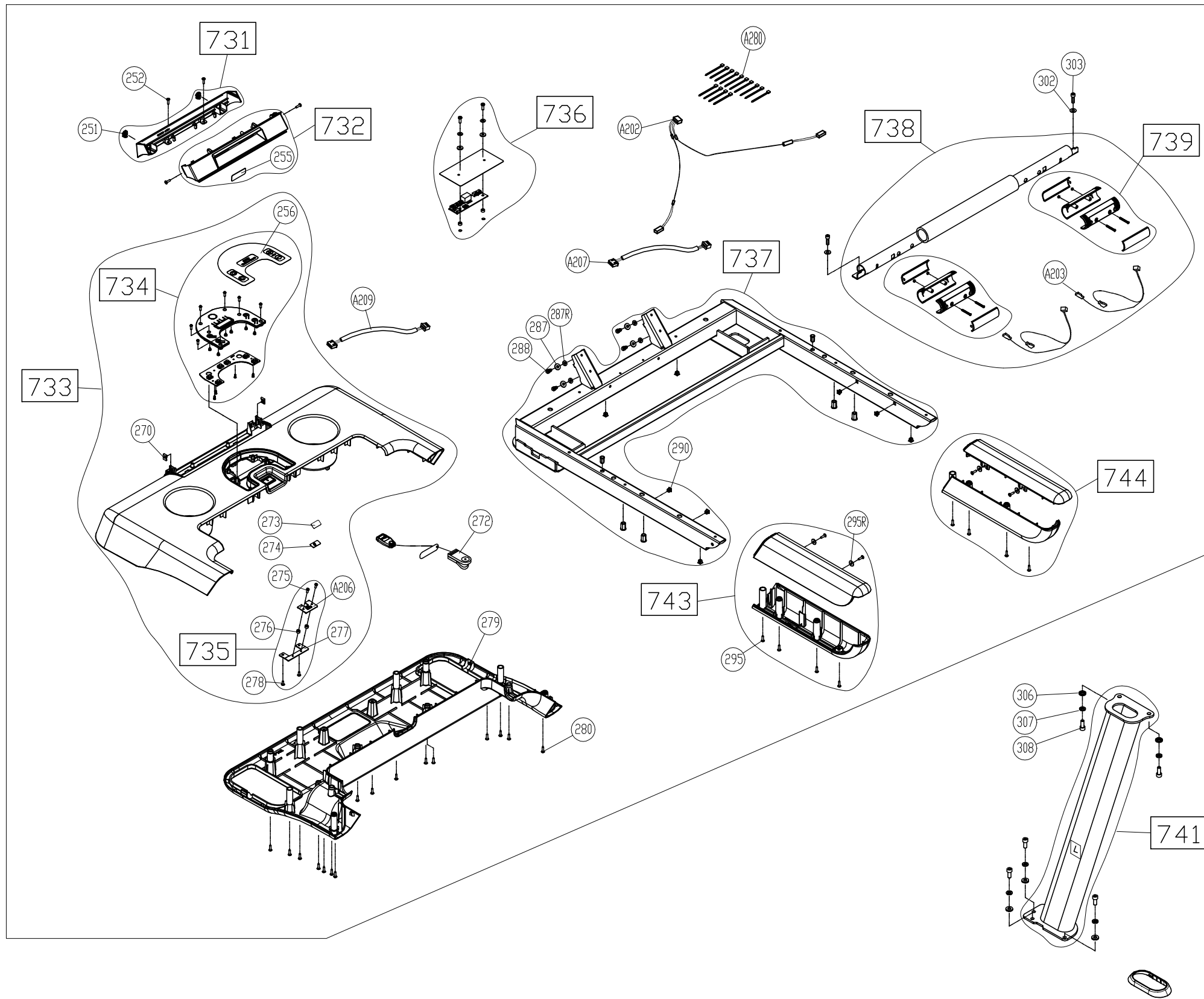
SportsArt
FITNESS

RESTRICTED USAGE,
PLEASE DON'T FORWARD TO ANYONE WHO ISN'T AUTHORIZED

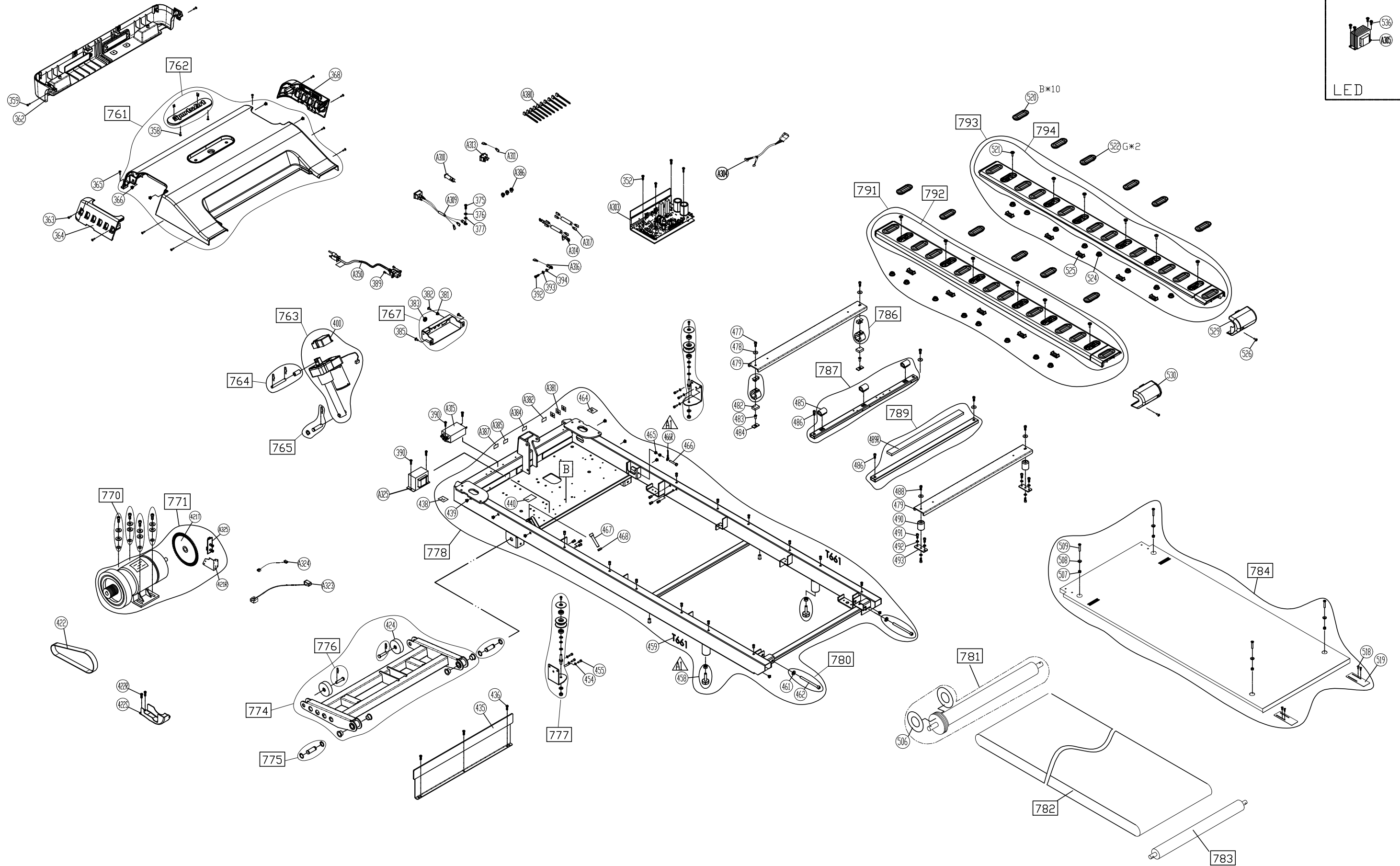
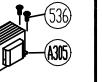
| DRAWN BY | UNITS | MM | SALES BLOW UP DIAGRAM | DIAGRAM NO. | TBX-F104A-A |
|-------------|---------|------|-----------------------|-------------|-------------|
| | QTY | 1 | | | T661 |
| VERIFIED BY | VERSION | A2 | XX | MODEL | |
| | RATIO | 1:12 | | | |



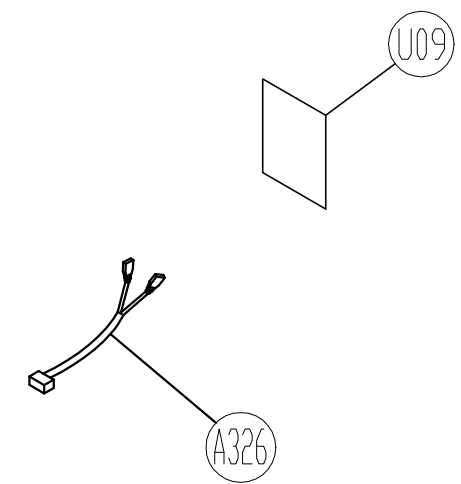
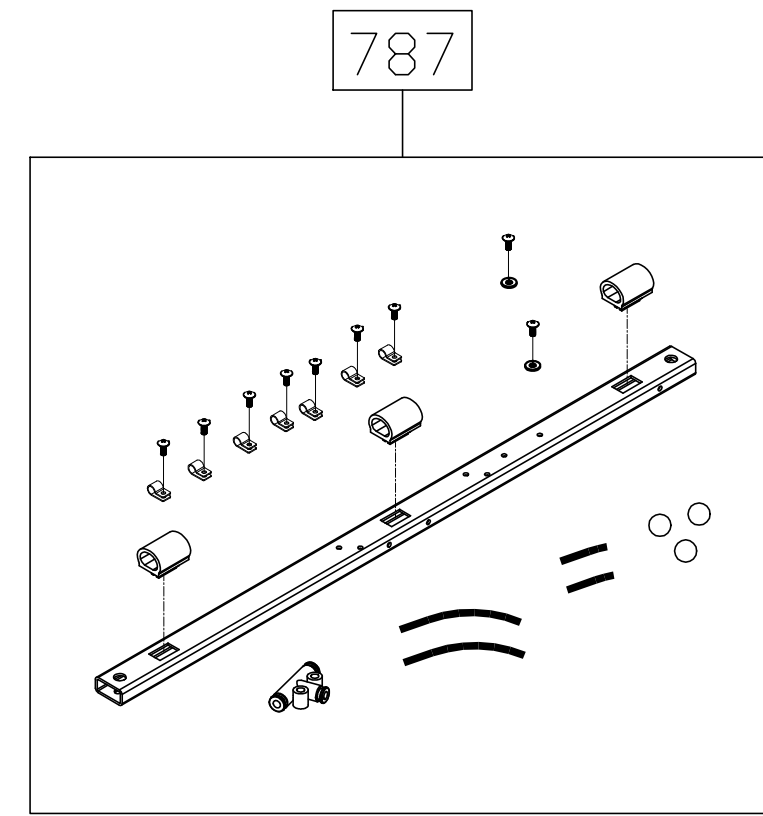
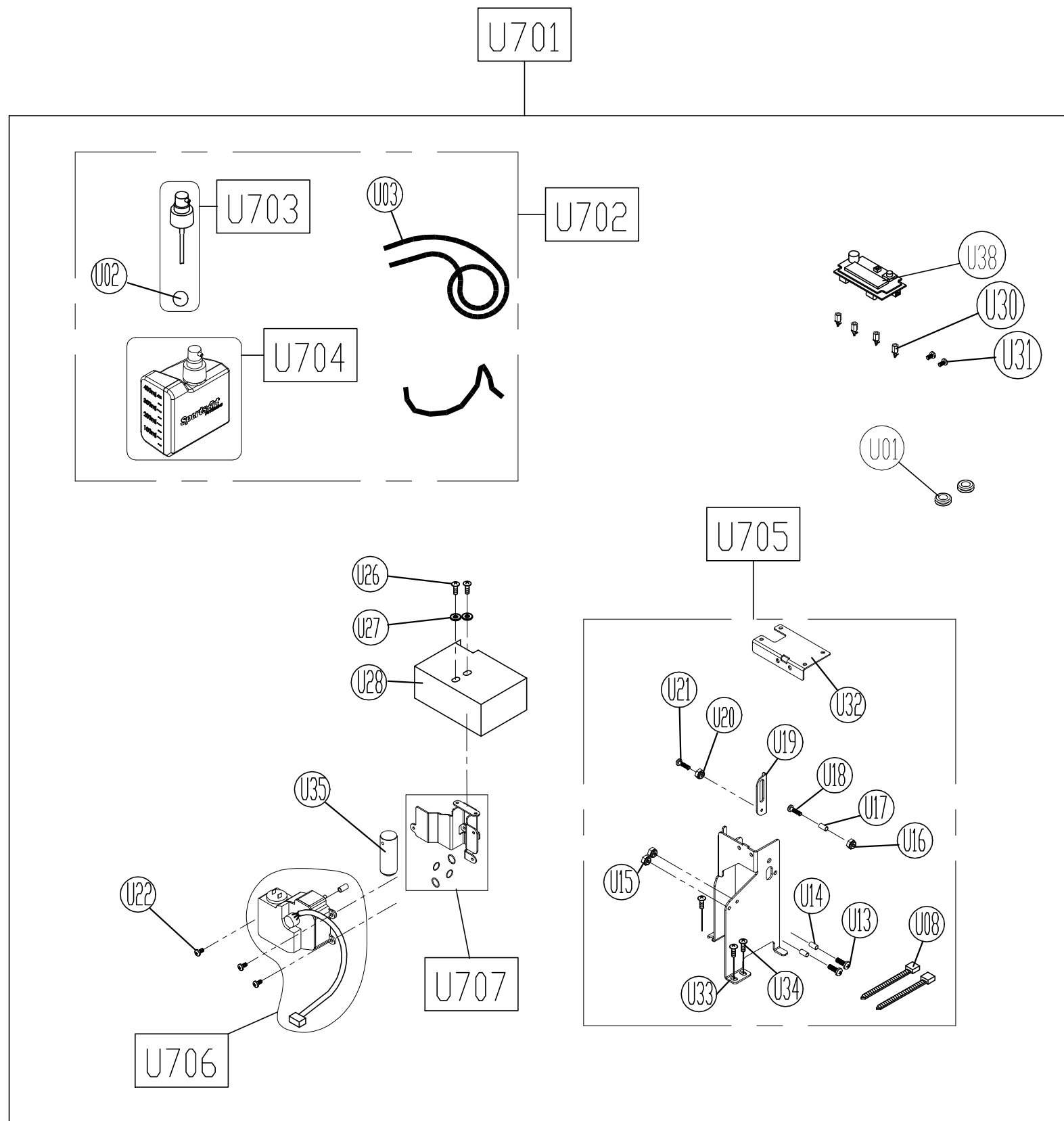
| | | | | | | | | | | |
|-------------|----------------------|------------|------|---|-------------|---------|-----|-----------------------|-------------|------------------|
| CHANGE DATE | CHANGE DESCRIPTION | CHANGE NO. | NAME |  <p>RESTRICTED USAGE , PLEASE DON'T FORWARD TO ANYONE WHO ISN'T AUTHORIZED</p> | DRAWN BY | UNITS | MM | SALES BLOW UP DIAGRAM | DIAGRAM NO. | TBX-F104B-A |
| 2025.12.10 | ▲ 新增 708 , 取消單寄 A102 | | 張又仁 | | VERIFIED BY | QTY | 1 | | | T661/T661M (LED) |
| | | | | | | VERSION | A1 | XX | MODEL | |
| | | | | | | RATIO | 1:6 | | | |



| | | | | | | | | | | | |
|-------------|--------------------|------------|------|---|-------------|---------|------|-----------------------|-------------|-------------|--|
| CHANGE DATE | CHANGE DESCRIPTION | CHANGE NO. | NAME | SportsArt FITNESS RESTRICTED USAGE , PLEASE DON'T FORWARD TO ANYONE WHO ISN'T AUTHORIZED | DRAWN BY | UNITS | MM | SALES BLOW UP DIAGRAM | DIAGRAM NO. | TBX-F104C-A | |
| | | | | | VERIFIED BY | QTY | 1 | | | T661 | |
| | | | | | | VERSION | A0 | XX | | MODEL | |
| | | | | | | RATIO | 1:12 | | | | |



| | | | | | | | | | | | |
|-------------|---------------------|--------------|------|---|-------------|---------|------|-----------------------|-------------|-------------|--|
| CHANGE DATE | CHANGE DESCRIPTION | CHANGE NO. | NAME | <p>RESTRICTED USAGE , PLEASE DON'T FORWARD TO ANYONE WHO ISN'T AUTHORIZED</p> | DRAWN BY | UNITS | MM | SALES BLOW UP DIAGRAM | DIAGRAM NO. | TBX-F104D-A | |
| 2026.05.12 | 取消 779 , 新增 450 456 | 02-20260202M | 張又仁 | | VERIFIED BY | QTY | 1 | | | T661 | |
| | | | | | | VERSION | A1 | XX | | MODEL | |
| | | | | | | RATIO | 1:16 | | | | |



| CHANGE DATE | CHANGE DESCRIPTION | CHANGE NO. | NAME |  <p>RESTRICTED USAGE , PLEASE DON'T FORWARD TO ANYONE WHO ISN'T AUTHORIZED</p> | DRAWN BY | UNITS | MM | SALES BLOW UP DIAGRAM | DIAGRAM NO. | TBX-F104F-A | |
|-------------|--------------------|------------|------|---|-------------|---------|-----|-----------------------|-------------|-------------|------------|
| | | | | | VERIFIED BY | QTY | 1 | | | | T661/T661M |
| | | | | | | VERSION | A0 | | XX | MODEL | |
| | | | | | | RATIO | 1:4 | | | | |