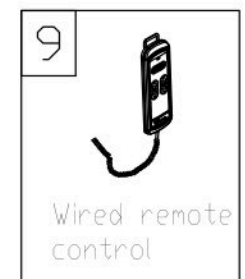
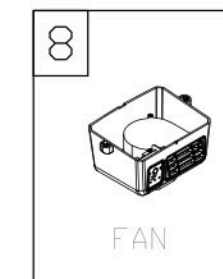
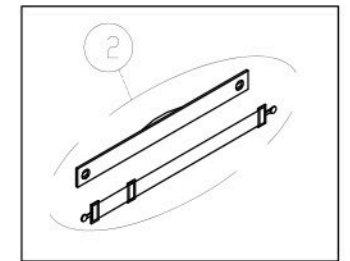
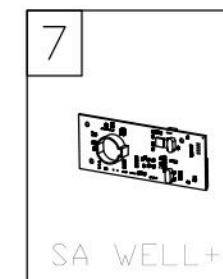
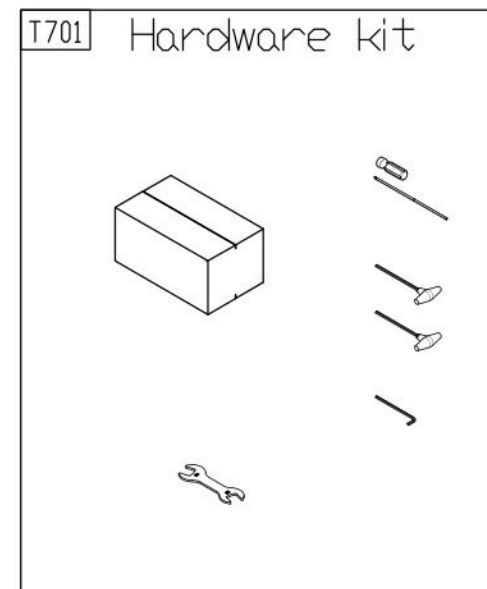
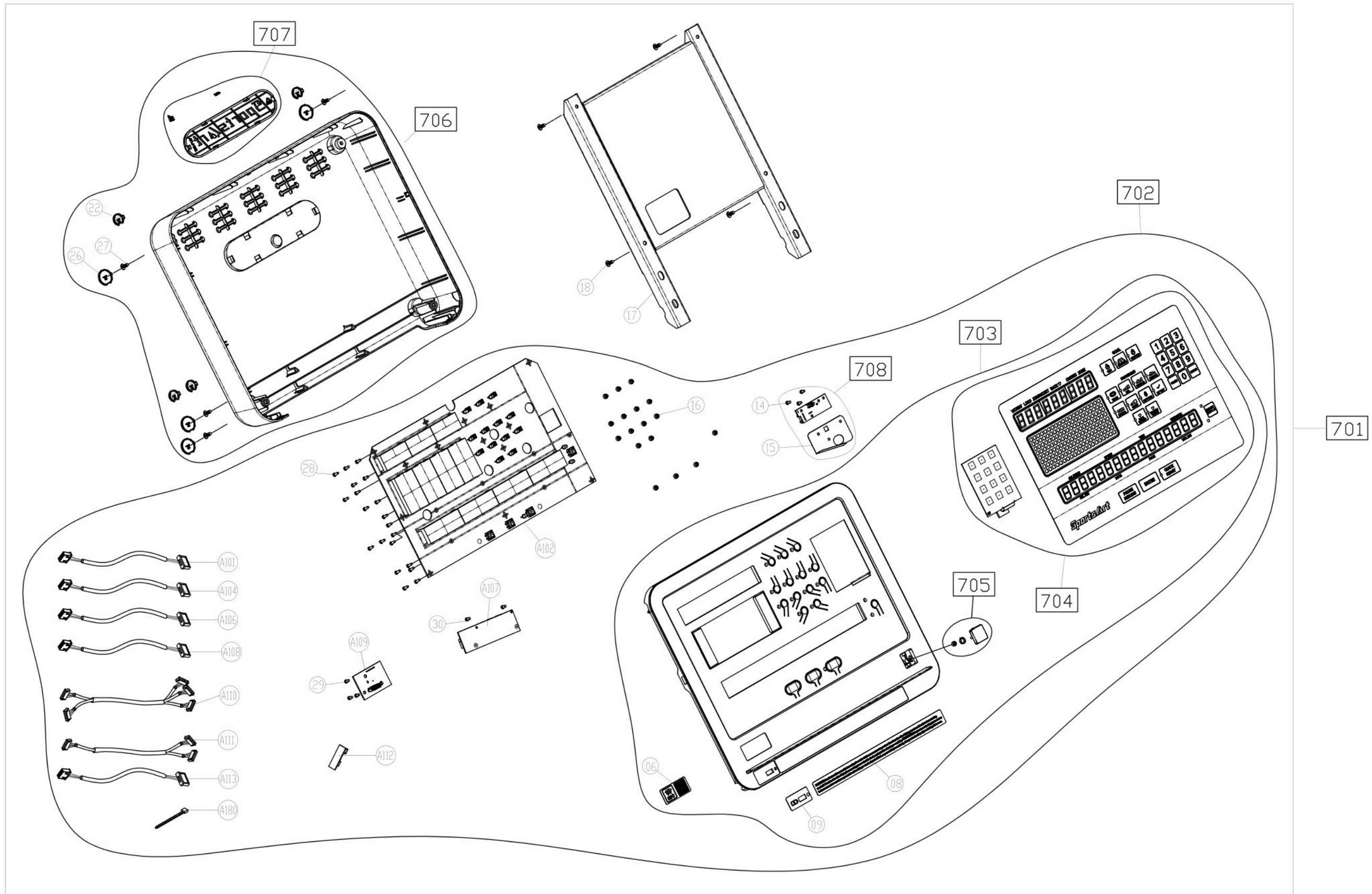


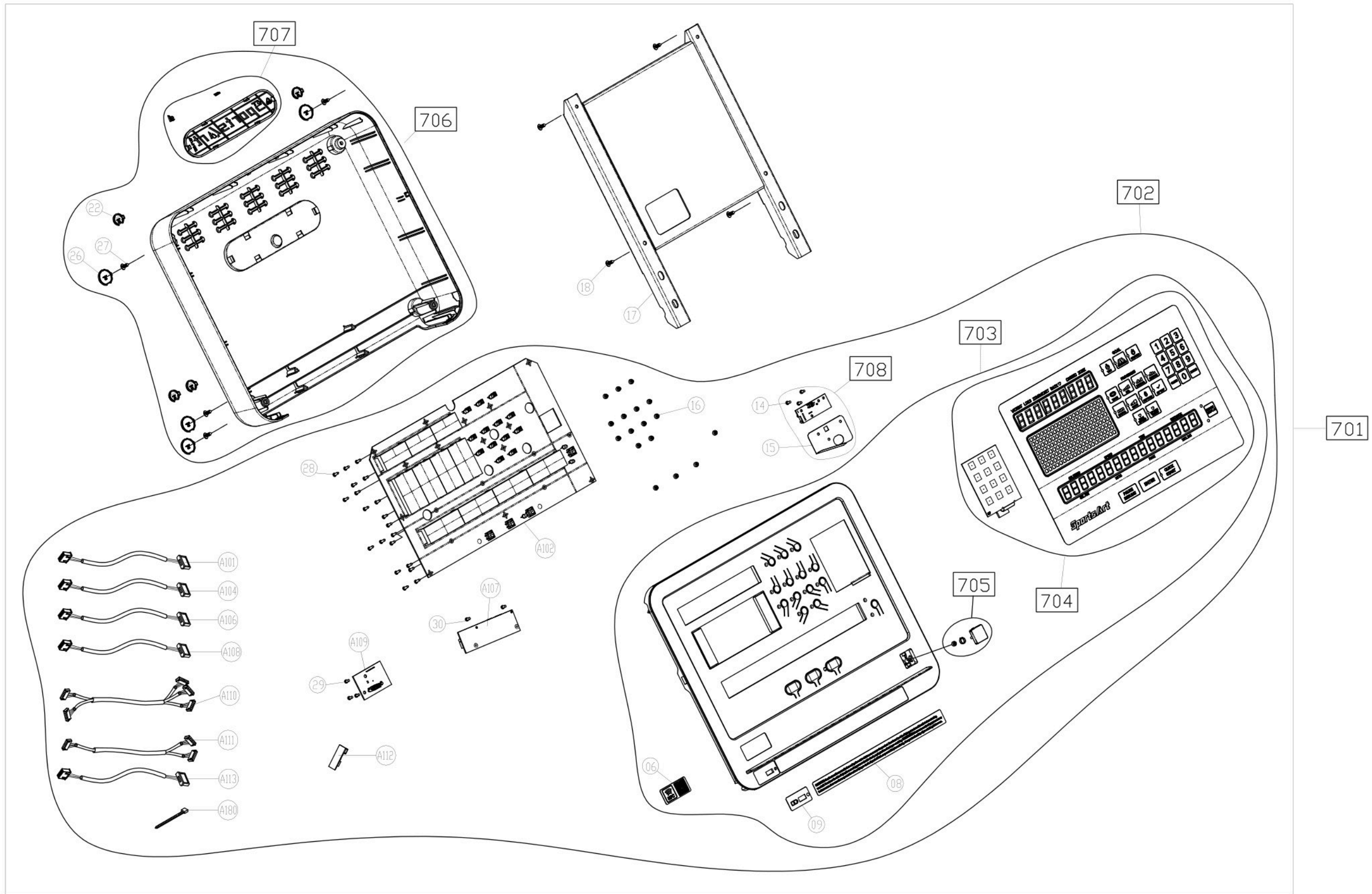
No.	Diagram	Tool Needed	Part Number	components Number
1	TBX-F101B	LCD	03 ~ 30 A101 ~ A113	701 ~ 708
2				
3	TBX-F101C		251 ~ 315 A201 ~ A211	730 ~ 742
4	TBX-F101D		352 ~ 536 A301 ~ A386	761 ~ 802
5	TBX-F101F		U01 ~ U39	U701 ~ U707
6				
7	TBR-F101G	OPTIONS SA WELL+	Y01 ~ Y24	Y710
8	TBX-F101G	OPTIONS FAN	F02 ~ F22	F401 ~ F407
9	TBX-F101H	OPTIONS	J01 ~ J30	J401 ~ J404



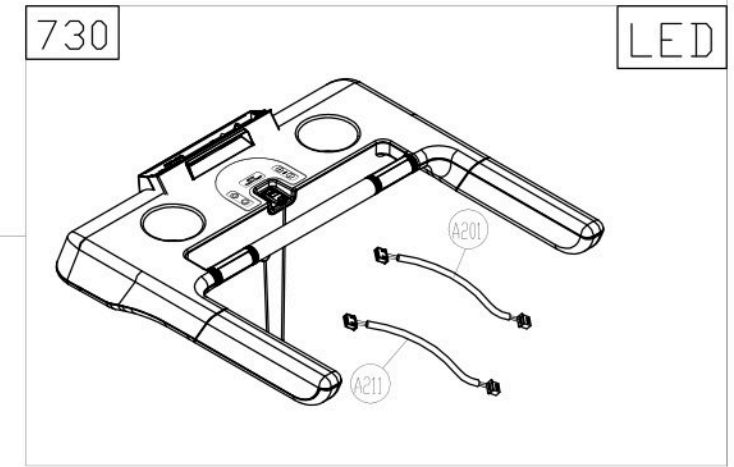
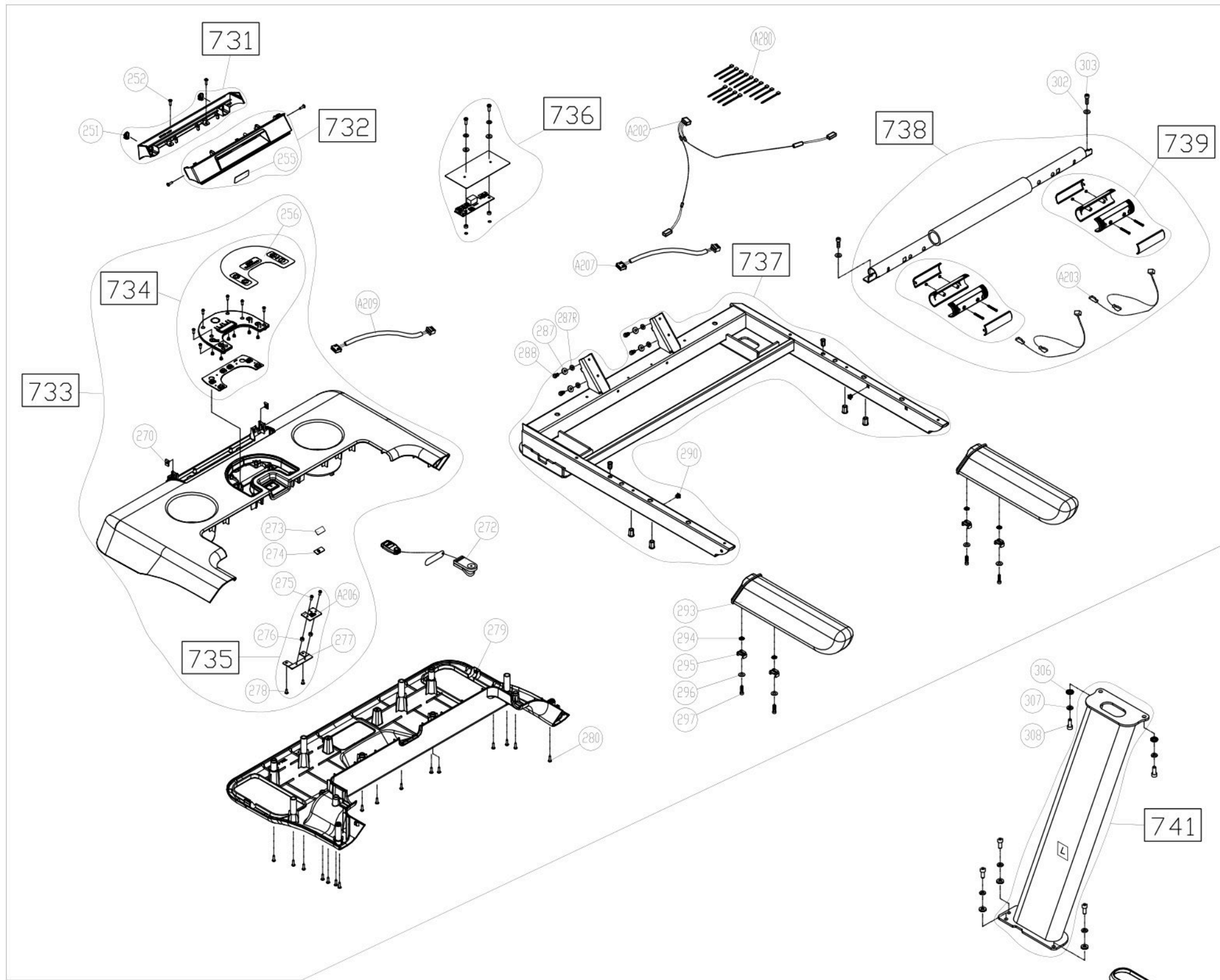
CHANGE DATE	CHANGE DESCRIPTION	CHANGE NO.	NAME	 RESTRICTED USAGE , PLEASE DON'T FORWARD TO ANYONE WHO ISN'T AUTHORIZED	UNITS	MM	SALES BLOW UP DIAGRAM	DIAGRAM NO.	TBX-F101A-A	
2025.10.13	新增線控器選配		張又仁		DRAWN BY	QTY	1			T665
					VERIFIED BY	VERSION	A1	XX	MODEL	
						RATIO	1:12			



CHANGE DATE	CHANGE DESCRIPTION	CHANGE NO.	NAME	SPORTSART FITNESS	DRAWN BY	UNITS	MM	SALES BLOW UP DIAGRAM	DIAGRAM NO.	TBX-F101B-A
				RESTRICTED USAGE , PLEASE DON'T FORWARD TO ANYONE WHO ISNT AUTHORIZED	VERIFIED BY	QTY	1			T665/T663
						VERSION	A0	XX	MODEL	T661(J)
						RATIO	1:6			(LED)



CHANGE DATE	CHANGE DESCRIPTION	CHANGE NO.	NAME	SportsArt FITNESS RESTRICTED USAGE , PLEASE DON'T FORWARD TO ANYONE WHO ISN'T AUTHORIZED	DRAWN BY	UNITS	MM	SALES BLOW UP DIAGRAM	DIAGRAM NO.	TBX-F101B-A	
					VERIFIED BY	QTY	1			MODEL	T665/T663
						VERSION	A0	XX			T661(J)
						RATIO	1:6				(LED)



LED

CHANGE DATE	CHANGE DESCRIPTION	CHANGE NO.	NAME	SportsArt FITNESS		UNITS	MM	SALES BLOW UP DIAGRAM	DIAGRAM NO.	TBX-F101C-A
						QTY	1			T665
						VERSION	A0	XX	MODEL	
						RATIO	1:12			

SportsArt
FITNESS

RESTRICTED USAGE ,
PLEASE DON'T FORWARD TO ANYONE WHO ISN'T AUTHORIZED

DRAWN BY

VERIFIED BY

UNITS

MM

SALES BLOW UP DIAGRAM

DIAGRAM NO.

TBX-F101C-A

QTY

1

T665

VERSION

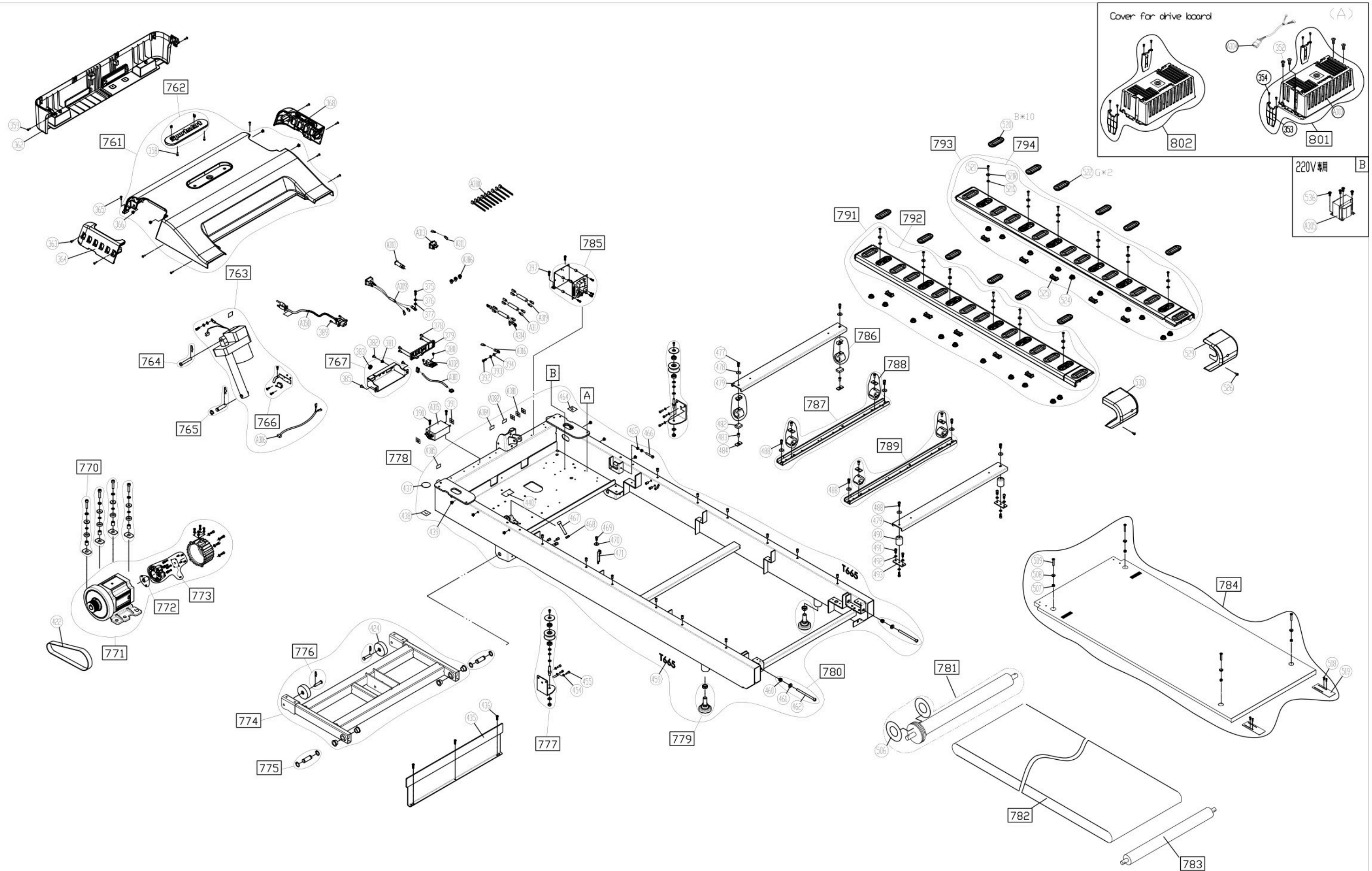
A0

XX

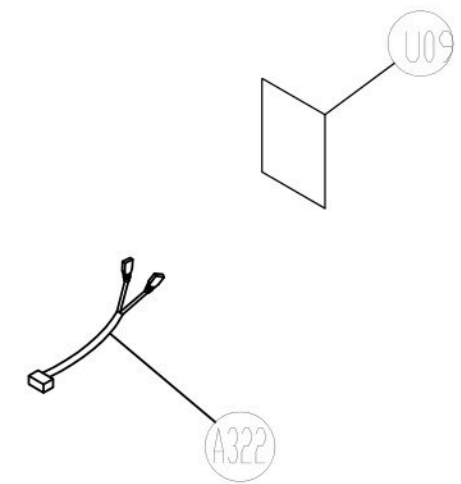
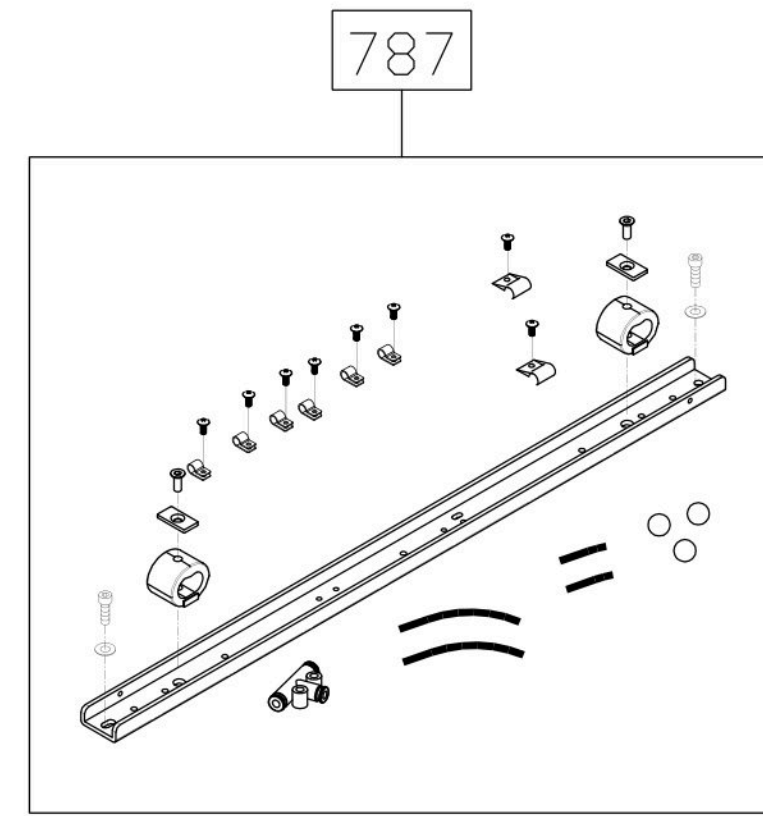
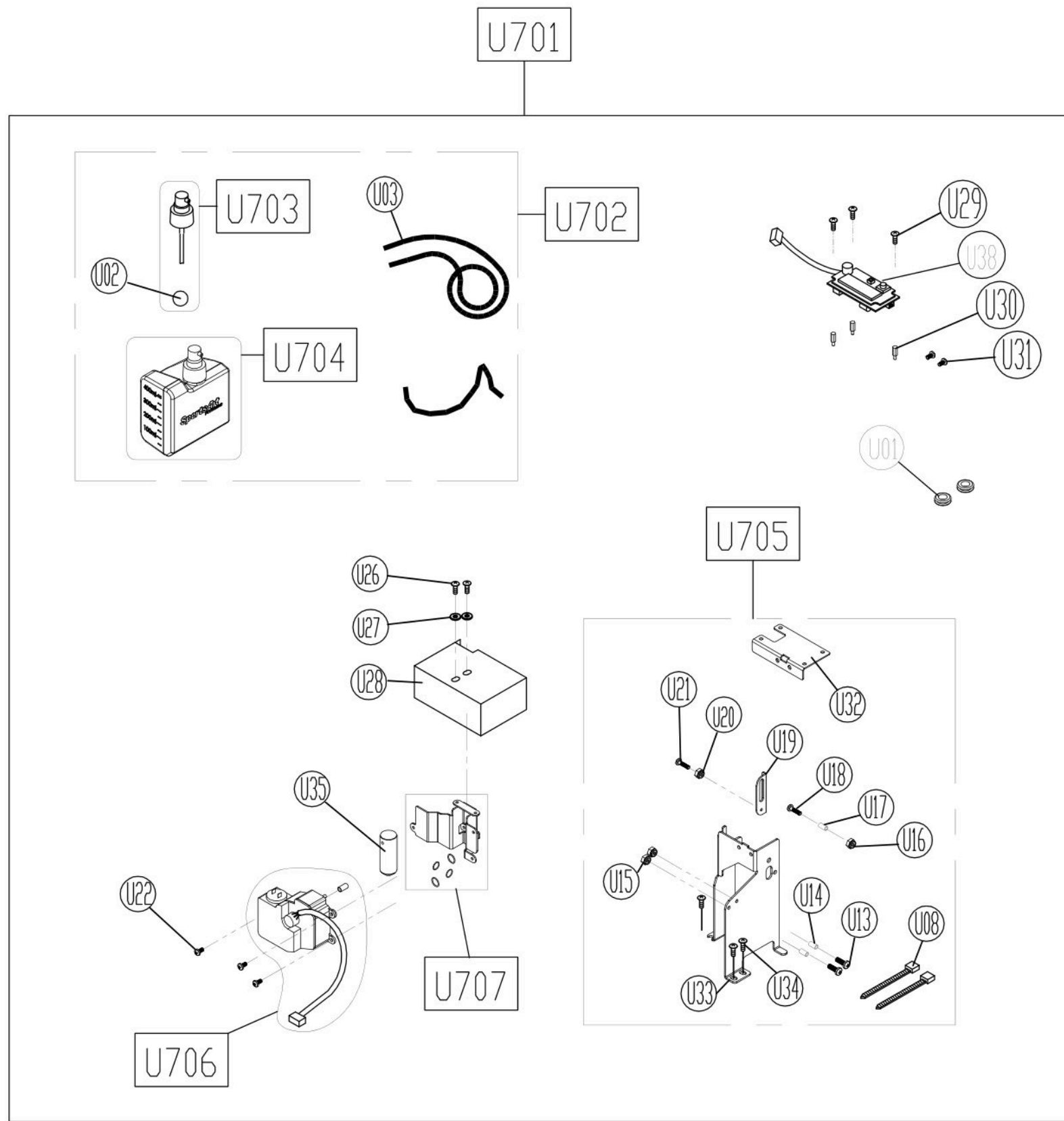
MODEL

RATIO

1:12

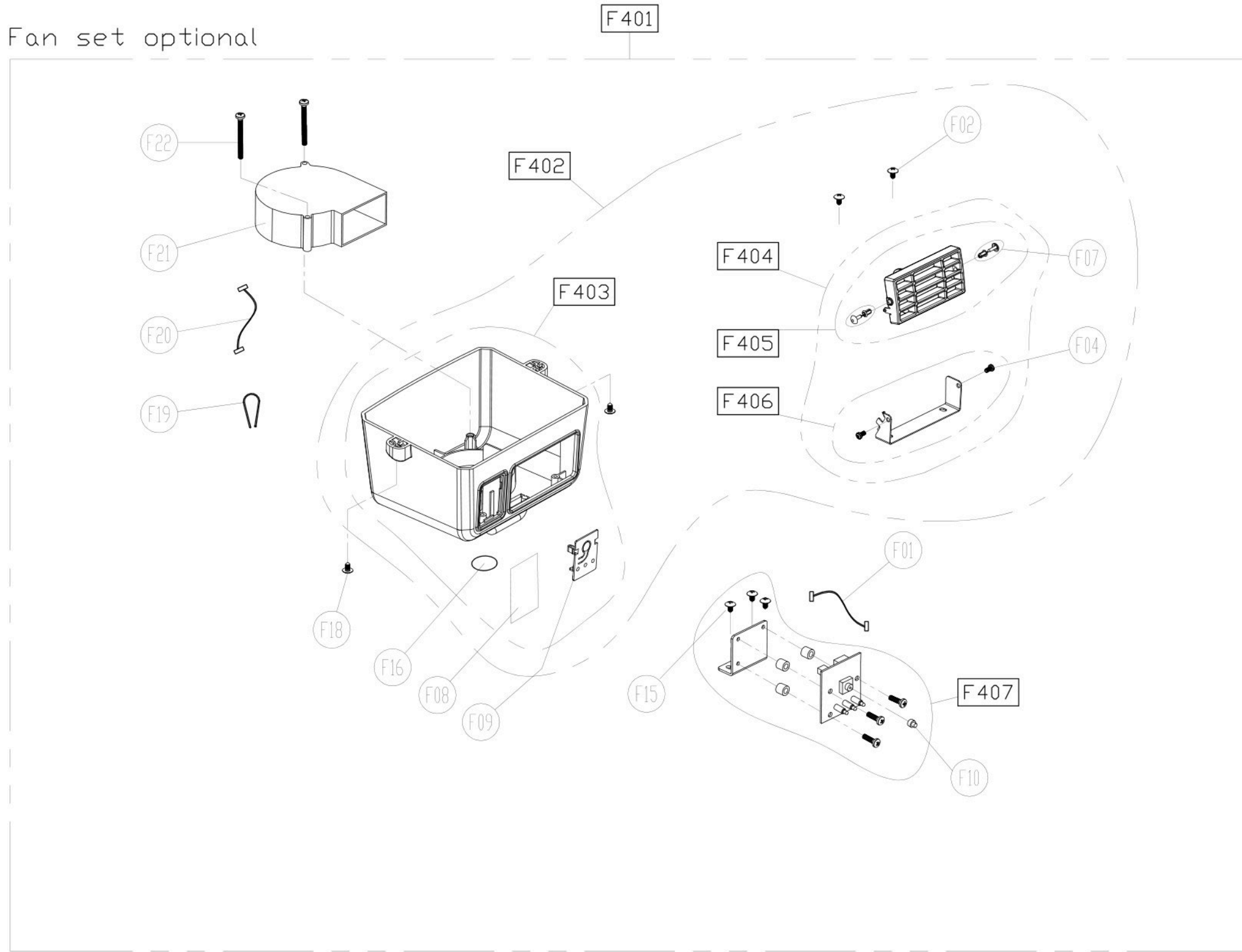


CHANGE DATE	CHANGE DESCRIPTION	CHANGE NO.	NAME	SportsArt FITNESS		UNITS	MM	SALES BLOW UP DIAGRAM	DIAGRAM NO.	TBX-F101D-A
				RESTRICTED USAGE ,	DRAWN BY	QTY	1			T665
				PLEASE DON'T FORWARD TO ANYONE WHO ISN'T AUTHORIZED	VERIFIED BY	VERSION	A0	XX	MODEL	
						RATIO	1:16			

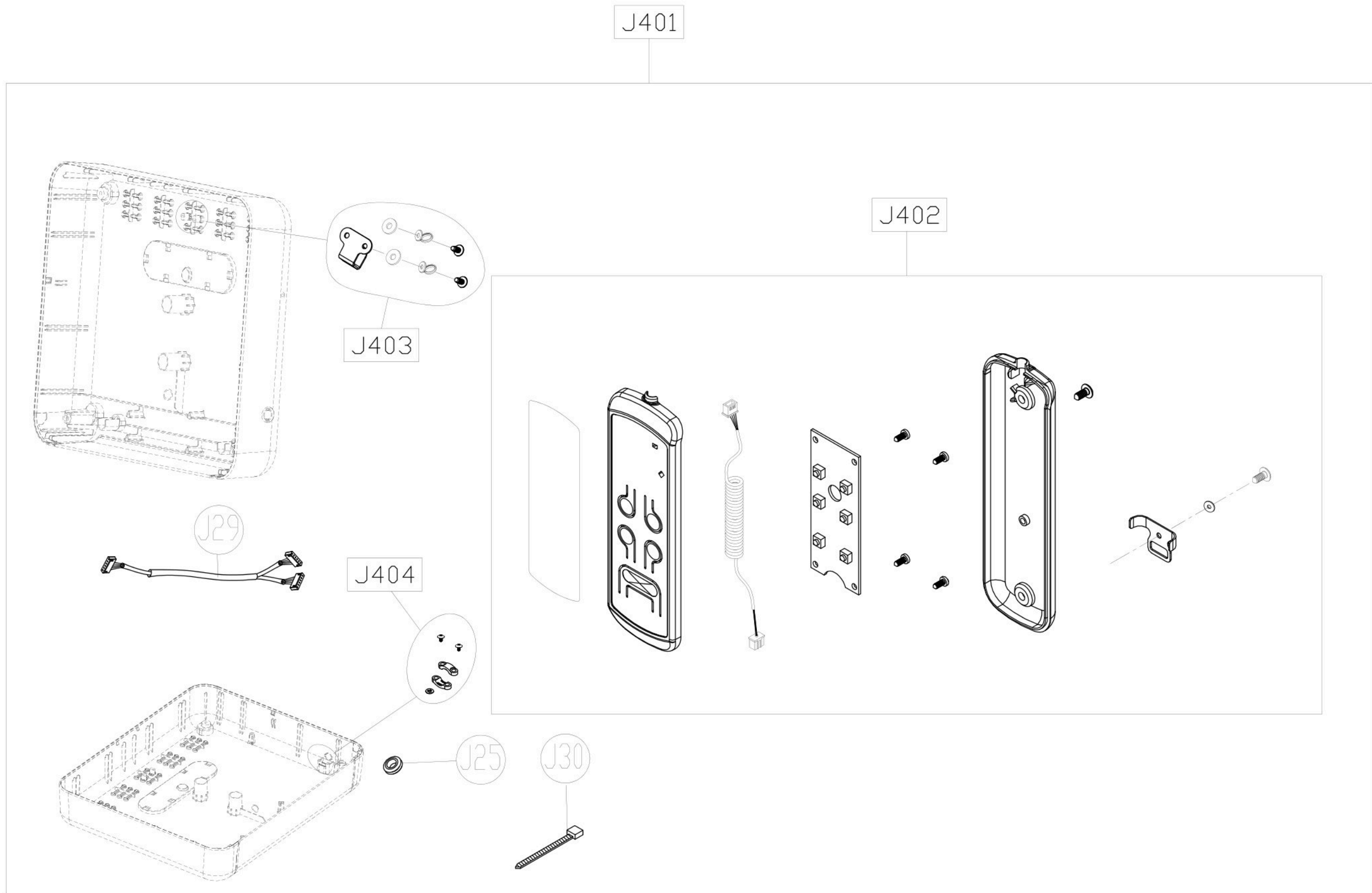


CHANGE DATE	CHANGE DESCRIPTION	CHANGE NO.	NAME	 <p>RESTRICTED USAGE , PLEASE DON'T FORWARD TO ANYONE WHO ISN'T AUTHORIZED</p>	DRAWN BY	UNITS	MM	SALES BLOW UP DIAGRAM	DIAGRAM NO.	TBX-F101F-A T665/T663
					VERIFIED BY	QTY	1			
						VERSION	A0	XX		MODEL
						RATIO	1:4			

Fan set optional



CHANGE DATE	CHANGE DESCRIPTION	CHANGE NO.	NAME	SportsArt FITNESS RESTRICTED USAGE , PLEASE DON'T FORWARD TO ANYONE WHO ISN'T AUTHORIZED	DRAWN BY	UNITS	MM	SALES BLOW UP DIAGRAM	DIAGRAM NO.	TBX-F101G-A	
					VERIFIED BY	QTY	1			MODEL	T665/T663 T663M/T661J T661/T661M
						VERSION	A0	XX			
						RATIO	1:4				



CHANGE DATE	CHANGE DESCRIPTION	CHANGE NO.	NAME	SPORTSART FITNESS	DRAWN BY	UNITS	MM	SALES BLOW UP DIAGRAM	DIAGRAM NO.	TBX-F101H-A
				RESTRICTED USAGE , PLEASE DON'T FORWARD TO ANYONE WHO ISN'T AUTHORIZED	VERIFIED BY	QTY	1	XX	MODEL	T665/T663
						VERSION	A0			T663M/T661J
						RATIO	1:4			T661/T661M