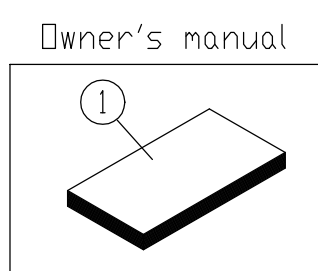
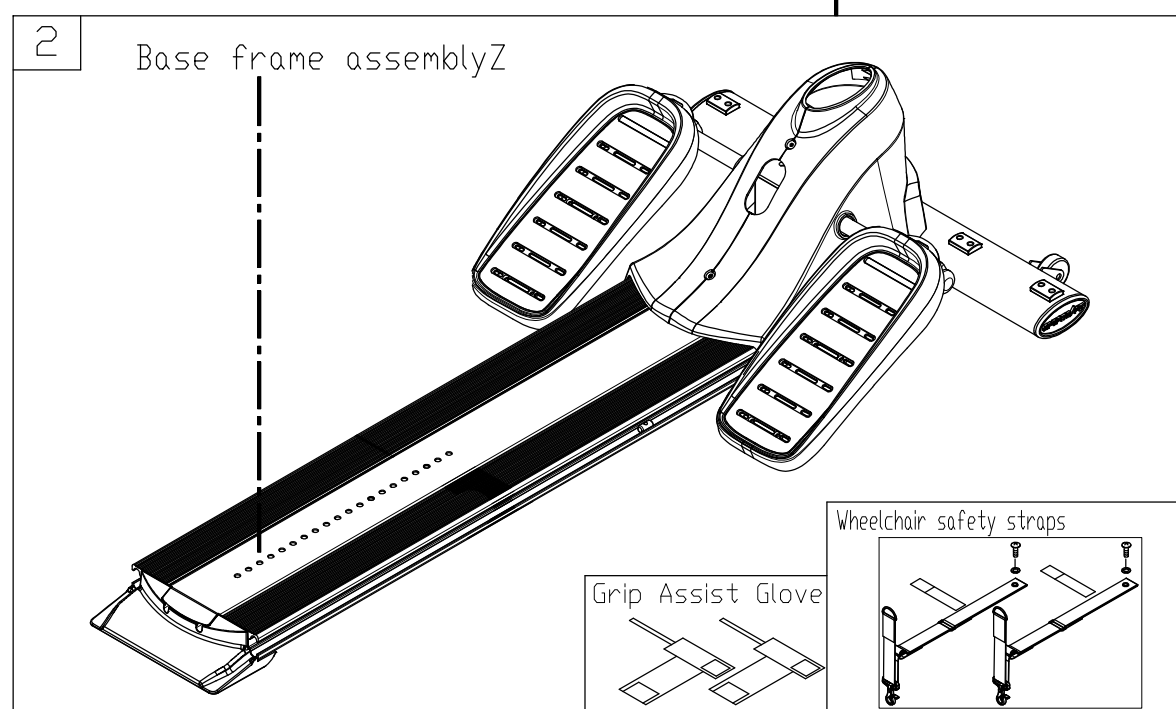
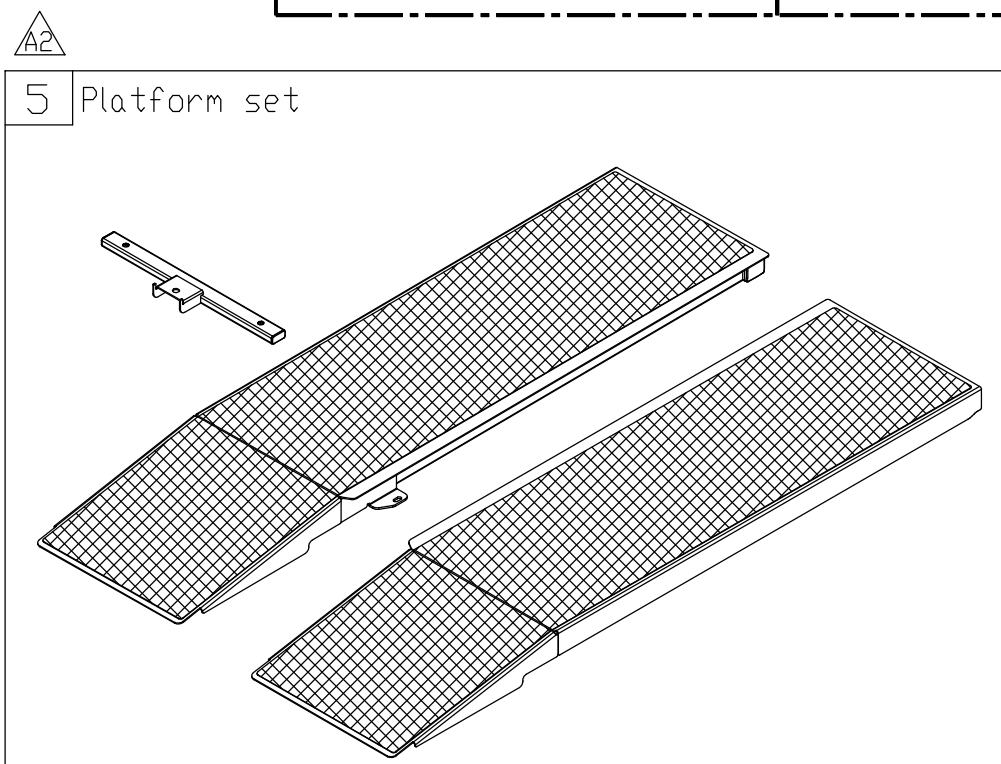
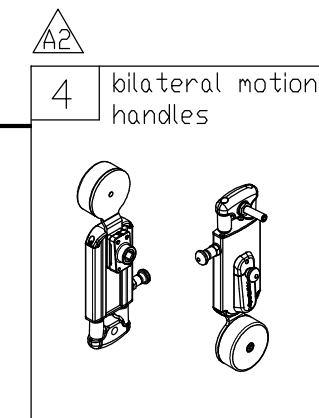
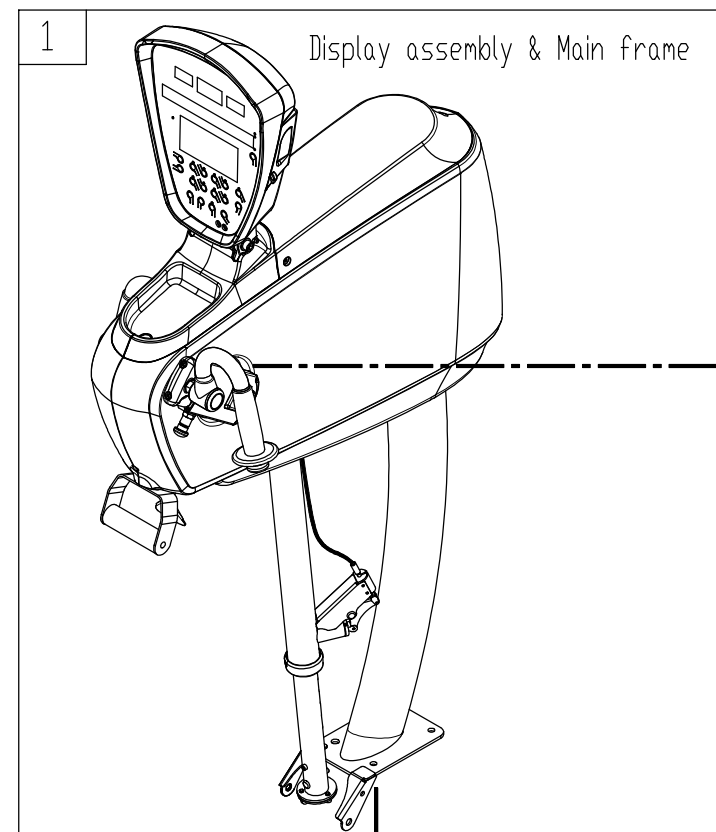
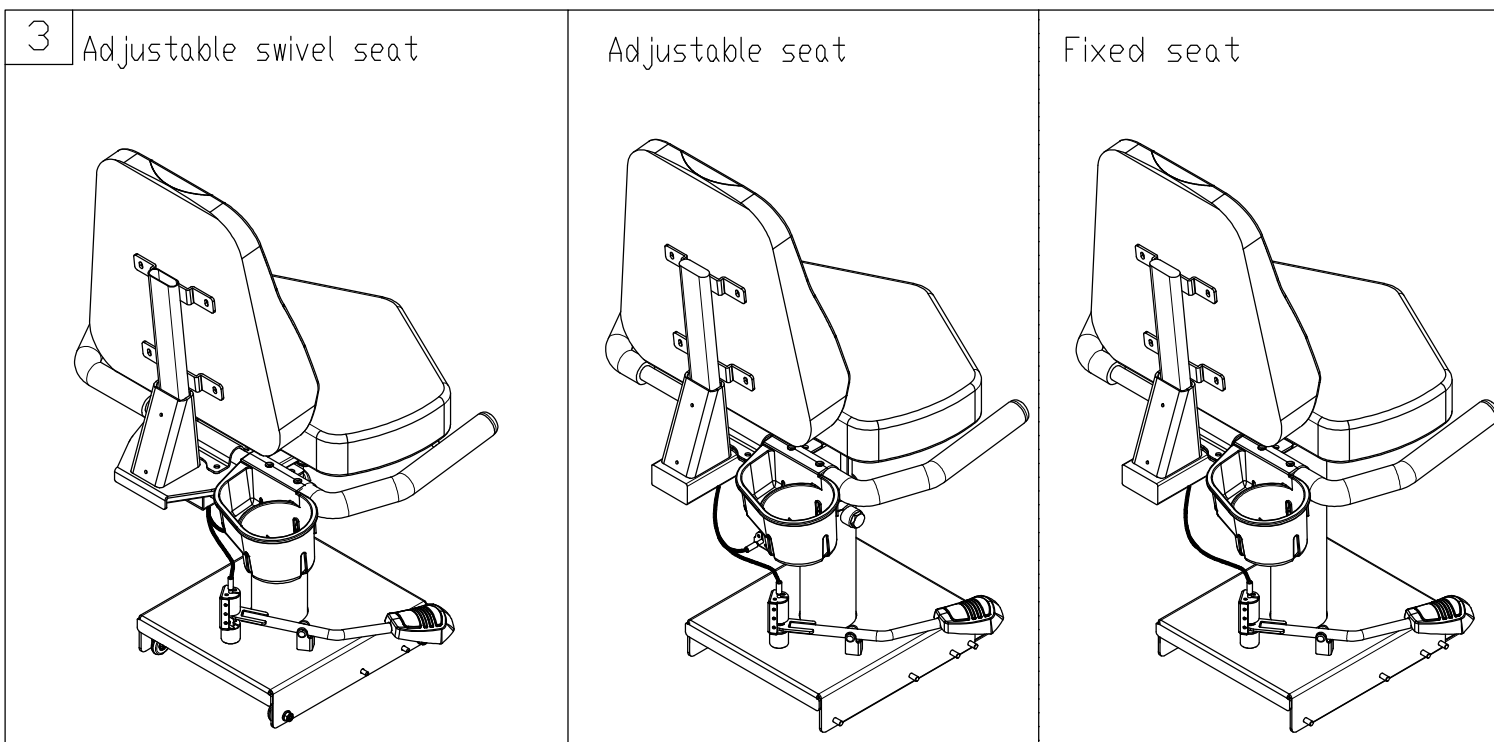


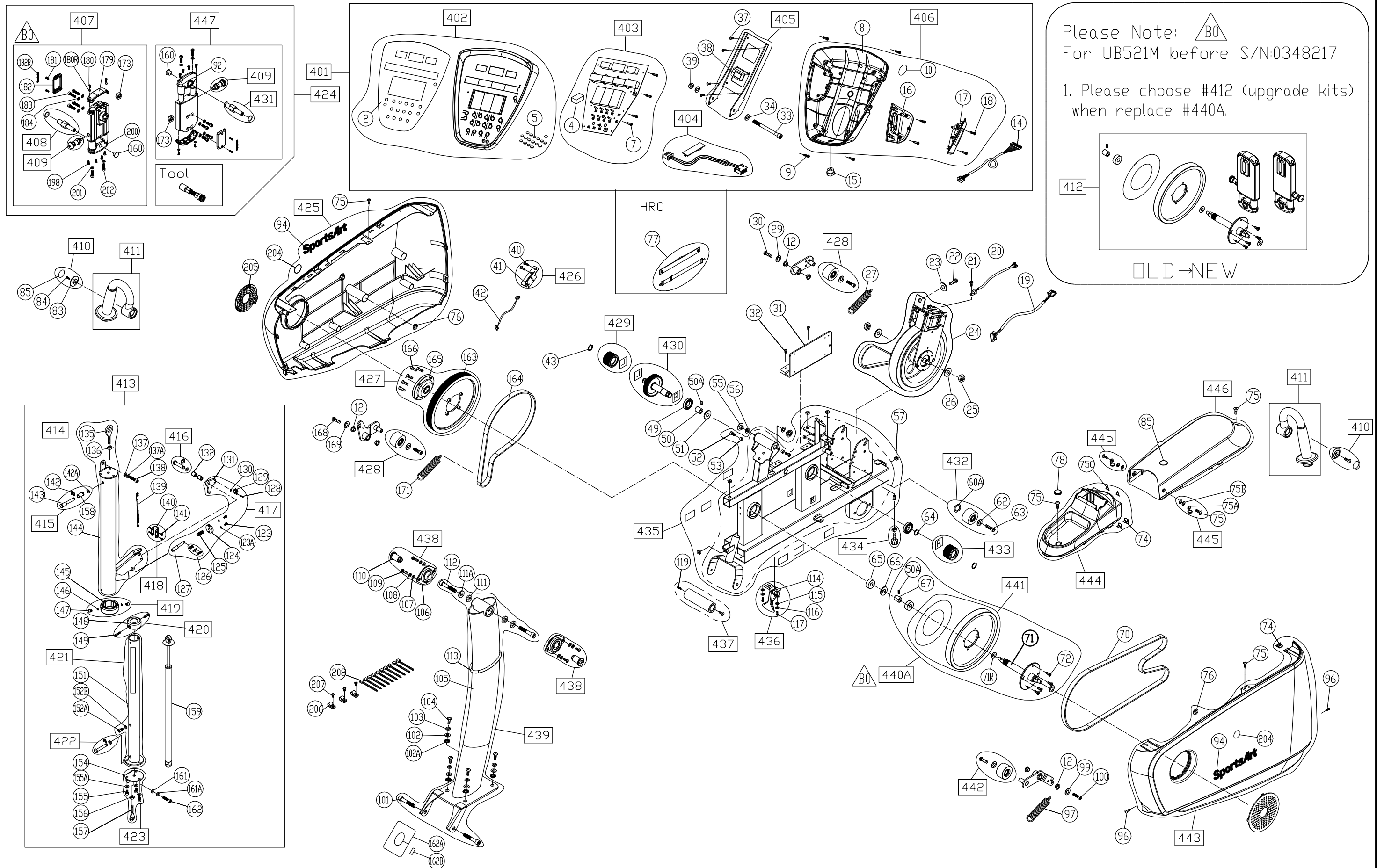
No.	Diagram	Tool Needed	
1	CAN-F101B		
2	CAN-F101C		
3	CAN-F101D		
$\triangle A2$	4	CAN-F101E	OPTION
$\triangle A2$	5	CAN-F101F	OPTION



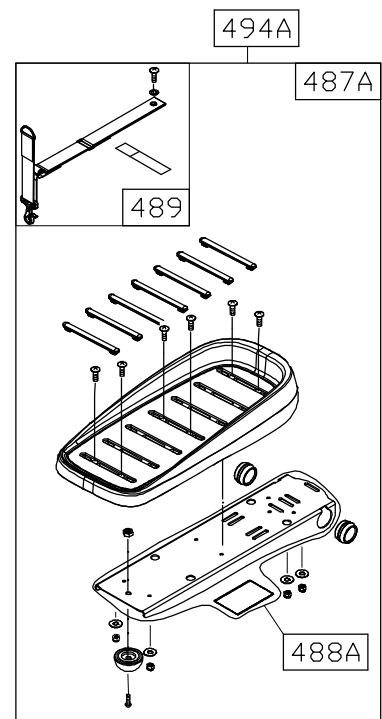
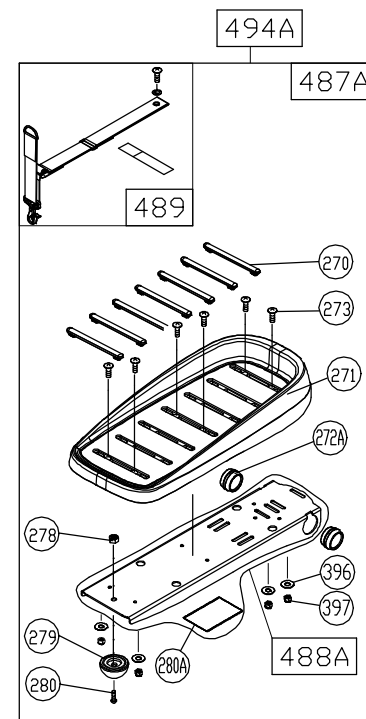
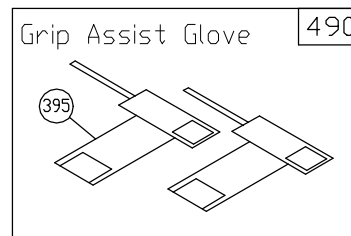
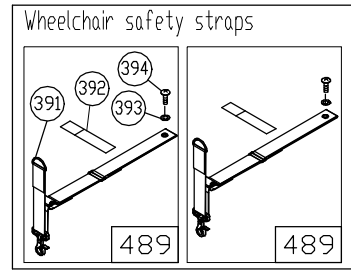
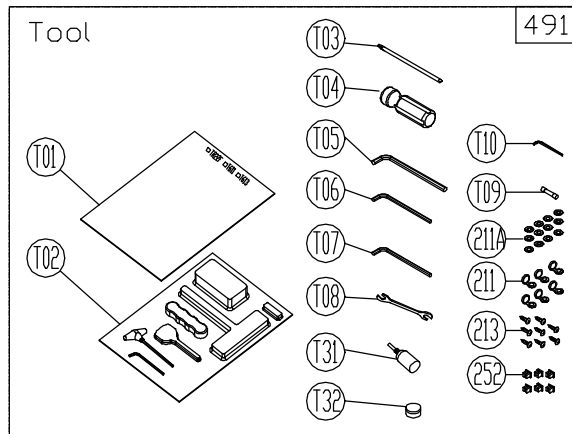
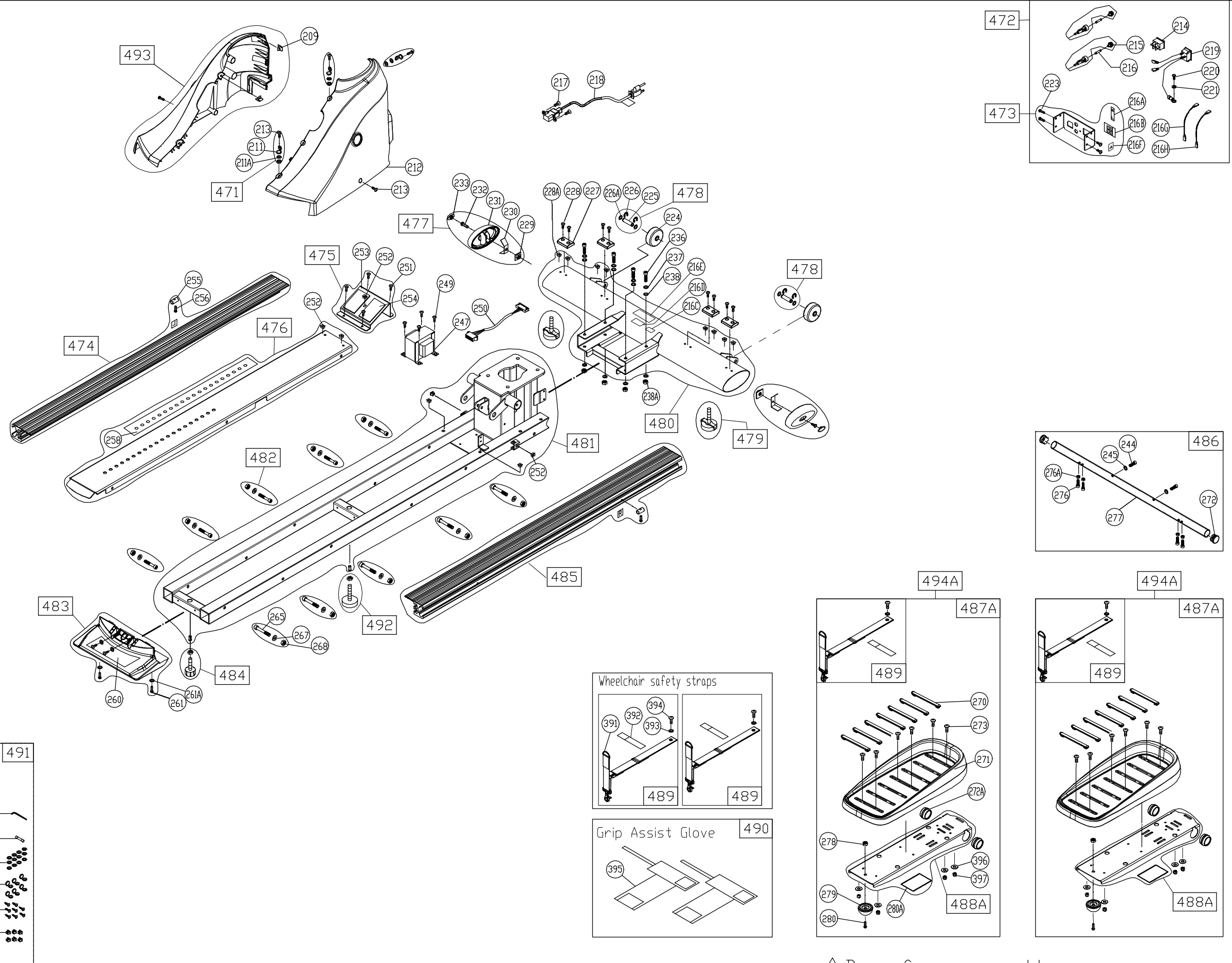
CHANGE DATE	CHANGE DESCRIPTION	CHANGE NO.	NAME
2012.10.24	$\triangle A1$ 新增固定座椅組, 詳見圖CAN-F101D, 增加圖示英文說明.		侯志緯
2015.10.15	$\triangle A2$ 新增把手/平台組, 詳見圖CAN-F101E/CAN-F101F.		尤淑芬

SportsArt
FITNESS
 RESTRICTED USAGE,
 PLEASE DON'T FORWARD TO ANYONE WHO ISN'T AUTHORIZED

DRAWN BY	UNITS	MM	SALES BLOW UP DIAGRAM	DIAGRAM NO.	CAN-F101A-A
	QTY	1			UB521M
VERIFIED BY	VERSION	A2	XX	MODEL	
	RATIO	1:12			



CHANGE DATE	CHANGE DESCRIPTION	CHANGE NO.	NAME	 RESTRICTED USAGE , PLEASE DON'T FORWARD TO ANYONE WHO ISN'T AUTHORIZED	DRAWN BY	UNITS	MM	SALES BLOW UP DIAGRAM	DIAGRAM NO.	CAN-F101B-B UB521M
2016.01.29	A1 93 172改不單寄		林士文			QTY	1			
2016.12.16	B0 修改440=440A, 新增71R 182R 412, 改不單寄71	03-20151206M 03-201610109M	尤淑芬		VERIFIED BY	VERSION	B0		XX	
						RATIO	1:12			

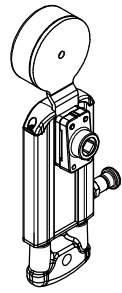


△ Base frame assembly

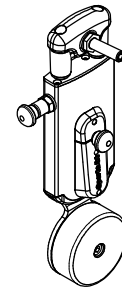
CHANGE DATE	CHANGE DESCRIPTION	CHANGE NO.	NAME	<p>RESTRICTED USAGE , PLEASE DON'T FORWARD TO ANYONE WHO ISN'T AUTHORIZED</p>	DRAWN BY	UNITS	MM	SALES BLOW UP DIAGRAM	DIAGRAM NO.	CAN-F101C-A	
2012.10.24	△A1 新增固定座椅組, 詳見圖CAN-F101D. 增加圖面英文字意.		侯志緯			QTY	1				UB521M
2013.03.11	△A2 修改圖面, 494=494A 487=487A 488=488A增加 396 397	07-20130302M	尤淑芬		VERIFIED BY	VERSION	A2	XX		MODEL	
						RATIO	1:12				

OPTION (Machine with bilateral motion handles is accepted only before product produced.)

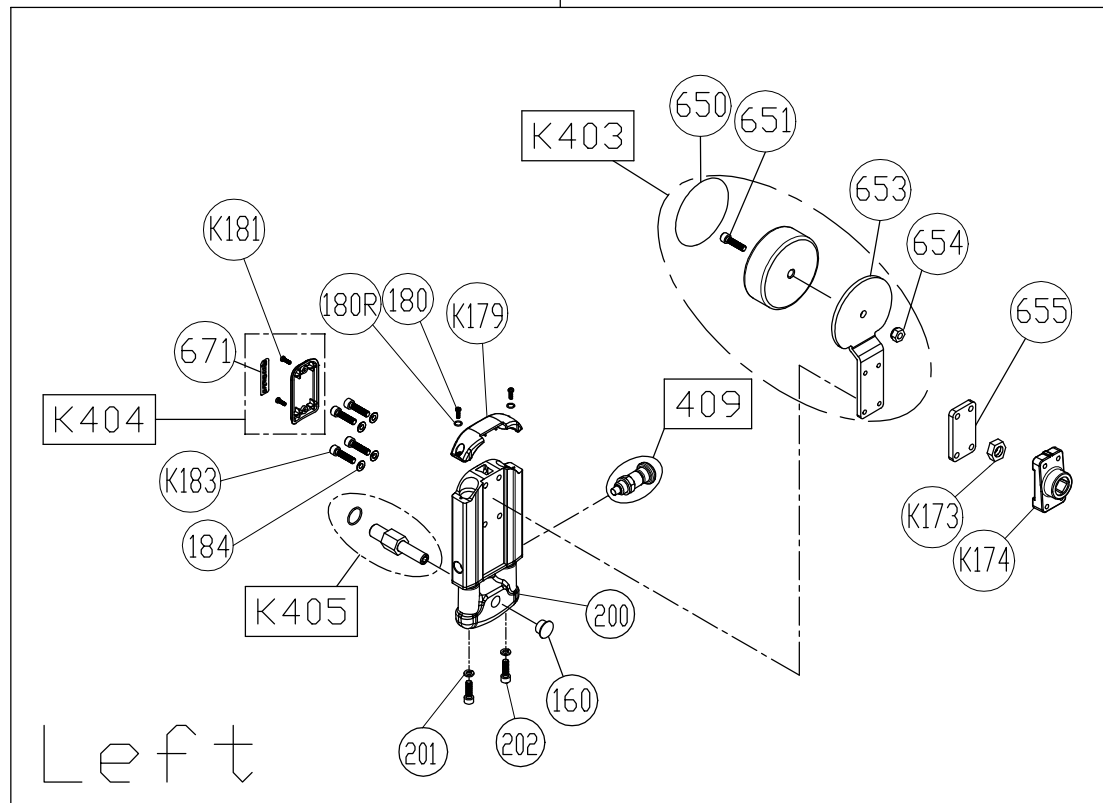
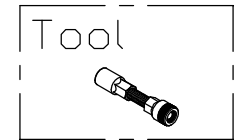
K401



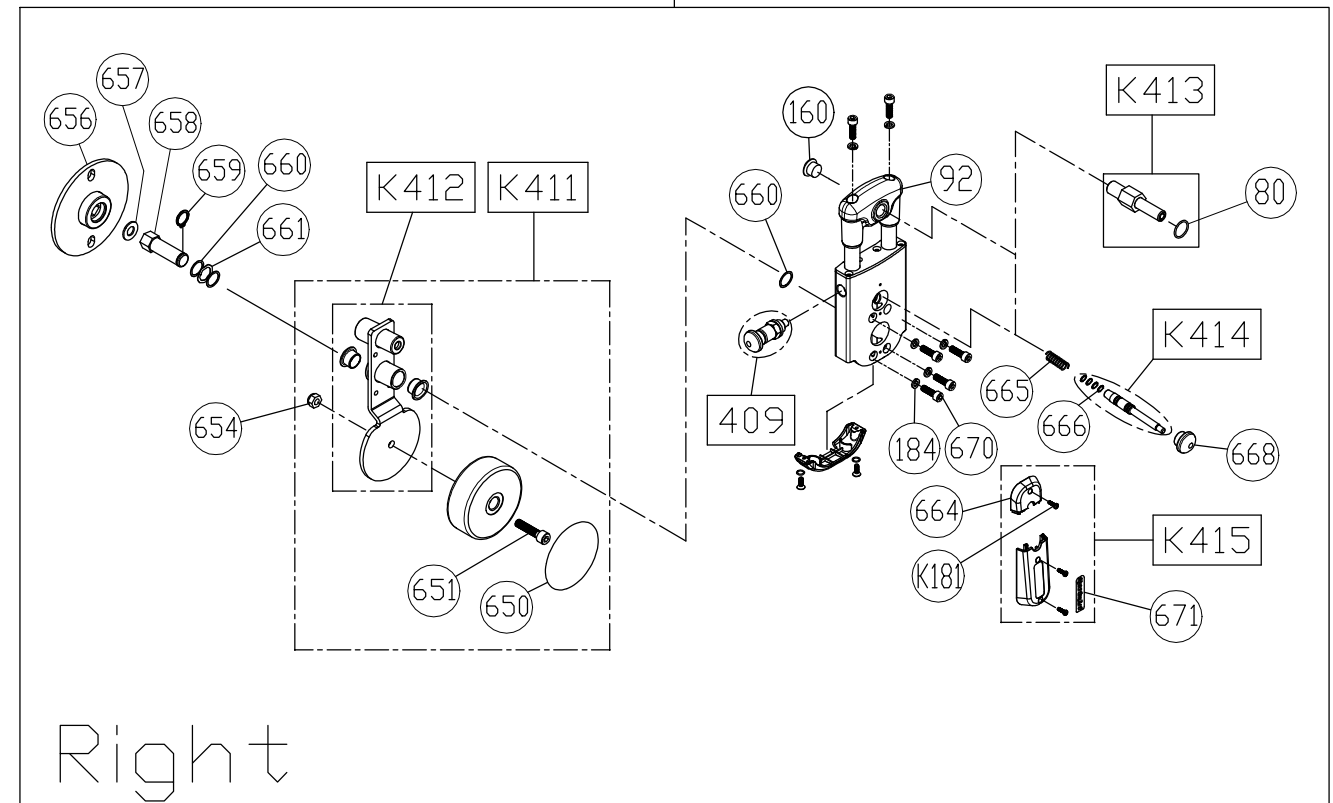
K402



K410



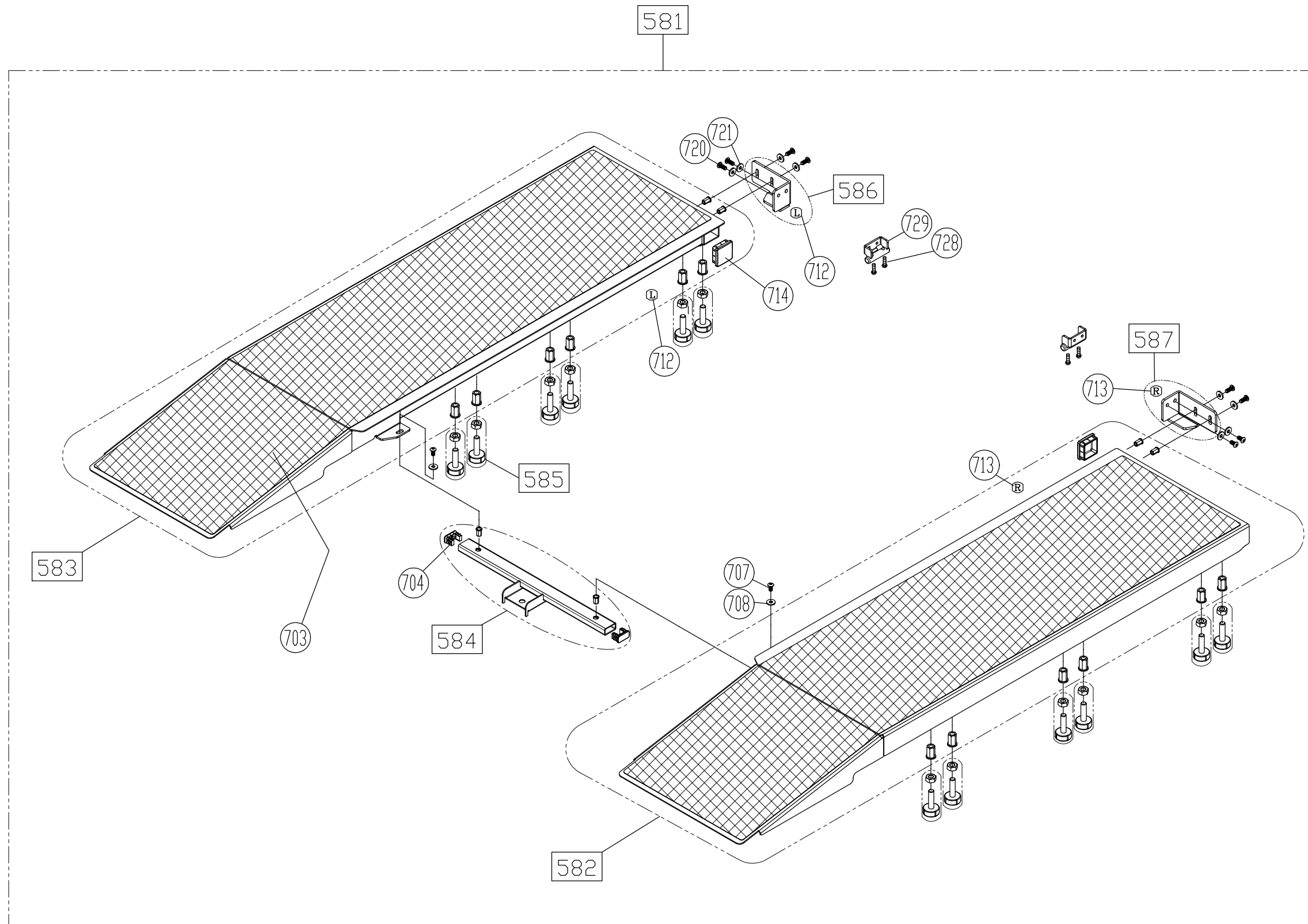
Left



Right

bilateral motion handles

CHANGE DATE	CHANGE DESCRIPTION	CHANGE NO.	NAME	<p>RESTRICTED USAGE , PLEASE DON'T FORWARD TO ANYONE WHO ISN'T AUTHORIZED</p>	DRAWN BY	UNITS	MM	SALES BLOW UP DIAGRAM	DIAGRAM NO.	CAN-F101E-A			
					VERIFIED BY	QTY	1				XX	MODEL	UB521M
						VERSION	A0						
						RATIO	1:8						



CHANGE DATE	CHANGE DESCRIPTION	CHANGE NO.	NAME	 RESTRICTED USAGE , PLEASE DON'T FORWARD TO ANYONE WHO ISN'T AUTHORIZED	DRAWN BY	UNITS	MM	SALES BLOW UP DIAGRAM	DIAGRAM NO.	CAN-F101F-A [△] A2	
2015.10.27	△A1 取消 591 增加 728		尤淑芬		VERIFIED BY	QTY	1	XX		MODEL	UB521M
2016.01.27	△A2 為了件號順序的順暢, 圖號原 CAN-F101E 改為 CAN-F101F		林士文			VERSION	A2				
						RATIO	1:8				