

N685/G690 OWNER'S MANUAL CONTENTS

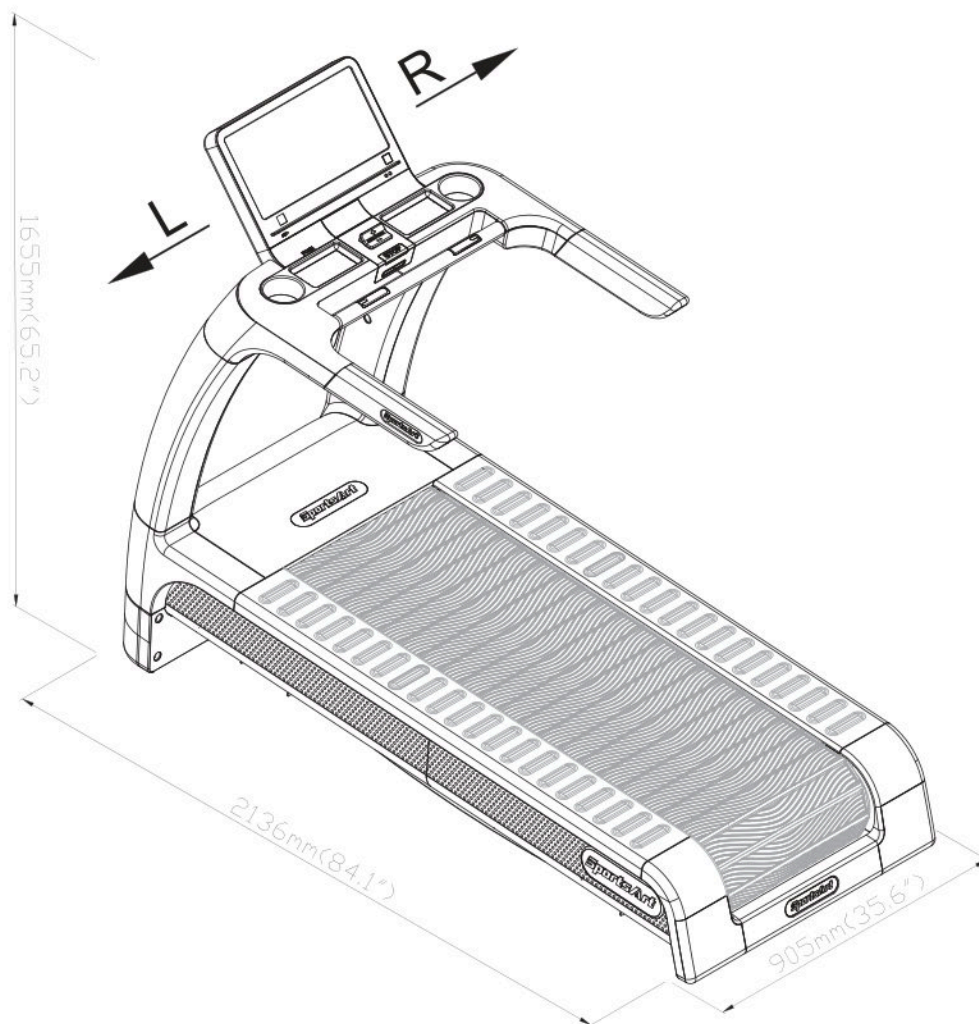
1. INTRODUCTION	2
2. SAFETY PRECAUTIONS	3
CONSIGNES DE SÉCURITÉ IMPORTANTES	5
3. LIST OF PARTS	6
4. ASSEMBLE THE PRODUCT	8
STEP 0 Preparation: Charge N685 Before First Use	8
STEP 1 Left and Right Pedestals Installation	10
STEP 2 Display Panel Installation	13
STEP 3 Power On/Off Switch	16
STEP 4 Left/Right Side Covers Installation	17
STEP 5 Move the Treadmill into Place for Use	18
STEP 6 Level the Treadmill	19
STEP 7 Adjust the Incline On the Treadmill.....	20
STEP 8 Center the Walk Strips	22
STEP 9 Check and tension the Walk Strips	23
STEP 10 Install the Power Cord (G690)	24
5. UNDERSTAND N685/G690 LCD DISPLAY	25
DISPLAY Overview	25
DISPLAY Specifications	26
DISPLAY Keys	27
DISPLAY Setup Guide	28
DISPLAY Parameter Window	29
6. SAFETY TIPS FOR USING N685/G690 TREADMILL	31
SAFETY TIPS Safety Mechanism	31
SAFETY TIPS Safety Operating Area	32
7. OPERATE THE PRODUCT	33
OPERATION Start Screen	33
OPERATION Quick Start	34
OPERATION RUN or PUSH	35
OPERATION Other Functions	38
OPERATION User Preference and Component Versions	38
OPERATION Error Messages	40

8. MICRO INVERTERMI-250	44
MICRO INVERTER Important Safety Instructions	44
MICRO INVERTER Cautionary Messages	44
MICRO INVERTER Electronic Specifications	46
MICRO INVERTER Circuit Board & Product Settings	47
9. MAINTENANCE	49
MAINTENANCE Safety Precautions	49
MAINTENANCE Battery Replacement (N685)	50
MAINTENANCE Circuit Braker (G690)	51
MAINTENANCE Schedule	52
MAINTENANCE Note	53
MAINTENANCE Task List	54
MAINTENANCE Maintenance Log	55
10. ACCESSORIES	56
ACCESSORIES Standard	56
ACCESSORIES Option (SA WELL+ Member System).....	56
ACCESSORIES MYE Wireless TV Audio_Channel Receivers	57
ACCESSORIES Option (SA Eco-Powr Daisy Chain).....	59
11. APPENDIXES	60
APPENDIX Wiring Diagram	60
APPENDIX Exploded Diagram	62

1. INTRODUCTION

Congratulations on the purchase of a high quality SportsArt product, the N685/ G690 LCD treadmill. Constructed of high quality materials and designed for years of reliable performance, this product was made for full commercial use.

Before this product is assembled or operated, we recommend that you familiarize yourself with this manual. Understanding the correct assembly and operation of this product will help ensure that exercisers obtain their fitness goals safely and successfully.



2. SAFETY PRECAUTIONS

This product was designed and built for optimum safety. However certain precautions apply during the use of this product. Please note the following safety precautions:

- Please read the entire manual before assembly and operation. Make sure the product is installed and operated as instructed in this manual.
- Assemble and operate the product on a solid, level surface. Do not use outdoors or near water, including pools and saunas.
- Check the product before every use. Make sure all parts are assembled, and all fasteners are tightened. Do not use the product if it is disassembled in any way.
- Wear proper workout clothing. Do not wear loose clothing. Do not wear shoes with leather soles or high heels. Tie all long hair back. Do not go barefoot on this product.
- Keep away from moving parts. Moving parts may or may not stop immediately if an object becomes caught or impedes normal motion.
- Use this product only for its intended purpose as described in this manual.
- Be careful when mounting and dismounting the unit.
- Never operate this product if it has been damaged in any way. If it is not working properly, or has been dropped or damaged, contact a service technician for repairs.
- Do not use accessories or parts that are not specifically recommended by the manufacturer (SportsArt) . Such parts might cause injuries or cause the unit to fail and void the warranty. We will not be responsible for any safety issue that arises due to the misuse of accessories or parts. At the same time, we will terminate the warranty terms of this equipment.
- This product is not intended for use by persons (including children 12 or younger) with reduced physical, sensory, or mental capabilities, or by people who are otherwise deficient in product knowledge or experience. If such people use this product, they should be given training and be supervised at all times by someone responsible for their safety.
- Children ages 12 or younger should be supervised to ensure that they do not play on or near the product.
- Maintenance and repair must be performed by trained service personnel only. Improper maintenance would not only damage the machine, but also may present a danger to the exerciser.
- The user weight limit for this product ranges from 45-150 kg (100 -330lb).
- Warning that any of the adjustment devices that could interfere with the user's movement should not be left projecting.

2. SAFETY PRECAUTIONS (CONT.)

- The recommended minimum operating temperature is 15 degree celsius.
- Please always use the treadmill in indoor environments.
- Do not use outdoors or near water, including pools and saunas.

CAUTION:

- If you feel any pain or any abnormal sensations, STOP YOUR WORKOUT and consult your physician immediately.
- Work within your recommended exercise level. DO NOT work to exhaustion.
- Before beginning any exercise program, you should consult with your doctor. It is recommended that you undergo a complete physical examination.
- Over exercise may result in serious injury or death. If you feel faint, stop exercising immediately.

2. CONSIGNES DE SÉCURITÉ IMPORTANTES

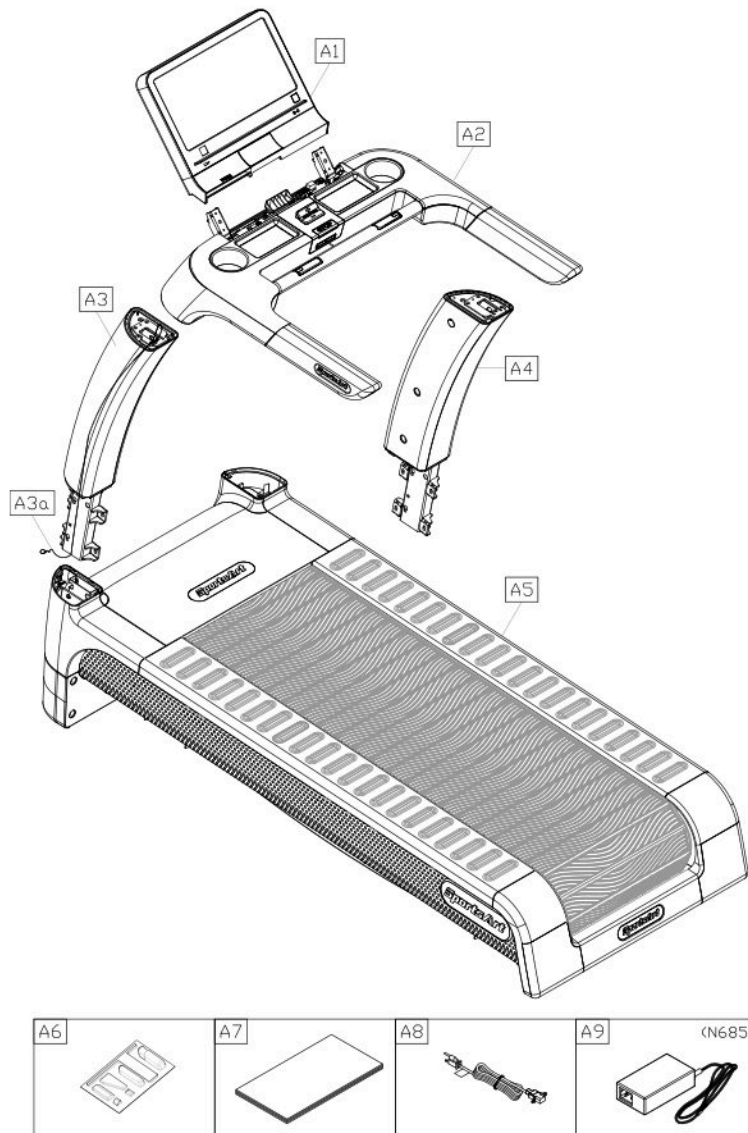
Le produit SportsArt a été conçu et fabriqué afin d'assurer une sécurité optimale. Cependant certaines précautions s'appliquent chaque fois que vous utilisez votre produit.

- Lisez entièrement le manuel avant l'assemblage et l'utilisation. Veuillez aussi noter les consignes de sécurité suivantes:
- Veuillez lire attentivement les instructions et installer le produit selon les instructions.
- Assemblez et faites fonctionner le produit sur une surface solide et plane; NE PAS l'utiliser à l'extérieur ou près de l'eau.
- En aucun cas, ne laissez des enfants à proximité ou sur le produit.
- Vérifiez le tapis de course avant chaque utilisation. Assurez-vous que toutes les pièces sont assemblées et que tous les éléments de fixation sont serrés. NE PAS utiliser le produit si l'appareil est démonté de quelque façon.
- Gardez vos mains loin des pièces mobiles.
- Portez des vêtements d'entraînement appropriés; NE PORTEZ PAS de vêtements amples. NE PORTEZ PAS de chaussures à semelles en cuir ou à talons hauts. Attachez les cheveux longs.
- Soyez prudent lors du montage et démontage de l'appareil.
- NE PAS utiliser d'accessoire non spécifiquement recommandé par le fabricant. Car cela pourraient provoquer des blessures ou entraîner une panne de l'appareil.
- Débranchez l'appareil de la prise avant l'entretien ou la suppression de toute pièce.
- Une surveillance étroite est nécessaire quand de produit est utilisé par ou à proximité d'enfants, de malades ou de personnes handicapées.
- Utilisez ce produit uniquement pour l'usage prévu dans ce manuel.
- La limite de poids de l'utilisateur pour le produit est de 227 kg, 500 lb.
- Ce produit n'est pas destiné à être utilisé par des personnes (y compris des enfants) dont les capacités physiques, sensorielles ou mentales sont réduites ou qui ne disposent pas de l'expérience ou du savoir nécessaires, sauf si celles-ci ont au préalable été formées eu égard à l'utilisation de produit par une personne responsable de leur sécurité.
- Les enfants doivent être encadrés afin d'empêcher qu'ils ne jouent avec le produit.
- Ce produit n'est pas destiné à être utilisé par des personnes (y compris des enfants) dont les capacités physiques, sensorielles ou mentales sont réduites ou qui ne disposent pas de l'expérience ou du savoir nécessaires, sauf si celles-ci ont au préalable été formées eu égard à l'utilisation de ce produit par une personne responsable de leur sécurité.
- Les enfants doivent être encadrés afin d'empêcher qu'ils ne jouent avec le produit.

ATTENTION

Si vous ressentez une douleur ou si vous avez une sensation anormale, **ARRÊTEZ VOTRE ENTRAÎNEMENT** et consultez immédiatement votre médecin. Entraînez-vous à votre niveau d'exercice recommandé. NE PAS s'entraîner jusqu'à l'épuisement. Avant de commencer un programme d'exercice, vous devriez consulter votre médecin. Il est recommandé de faire un examen physique complet. Dans ce manuel, les mots "gauche" et "droit" sont utilisés en référence aux pièces et au produit. Comme tels, les mots "gauche" et "droit" font respectivement référence aux côtés gauche et droit de l'exerciseur. De même pour plus de concision, le mot «vis» est utilisé dans certains cas où des rondelles, des vis et autres matériels sont associés.

3. LIST OF PARTS



Assembly Parts					
No.	Name	Qty.	No.	Name	Qty.
A1	Display panel	1	A5	Main frame	1
A2	Handlebar assembly	1	A6	Hardware kit	1
A3	Left pedestal	1	A7	Owner's manual	1
A3a	Feeder cord	1	A8	Power cord	1
A4	Right pedestal	1	A9	Adapter(N685)	1

Components on the Product			
No.	Name	Specification	Notes
41	Flat washer	D22*d8.5*t3.0	QTY 6
	Spring washer	M8	QTY 6
	Inner hex screw	M8*P1.25*L20	QTY 6
42	Flat washer	D22*d8.5*t3.0	QTY 6
	Spring washer	M8	QTY 6
	Inner hex screw	M8*P1.25*L20	QTY 6
43	Inner hex screw	M6*P1.0*L12	QTY 4
	Flat washer	D16*d6.3*t2	QTY 4

Components In the Hardware Kit				
No.	Name	Qty.	Specification	Notes
	Double open-ended wrench	1	22mm*24mm	
	Screwdriver shank	1		
	Plastic fastener	6		
	T-shaped Allen wrench	1	M6*L260	
	T-shaped Allen wrench	1	M5	

4. ASSEMBLE THE PRODUCT

Follow instructions below to assemble this product. Note that in this manual the words “left” and “right” are used to refer to the product and its parts. As such, these designations correspond to the “left” and “right” sides of a person in position to exercise on this product. Also, for brevity, the word “screws” or “nuts” is used where washers and other hardware may be involved.

STEP 0 Preparation: Charge N685 Before First Use

After finishing assembly, be sure to turn on the power (Refer to STEP 3 Battery On/Off Switch for details), then open the charging port cover to plug your charging cable into the adapter, and insert the plug into the outlet. Give N685 a proper charge for a minimum of 2 hours before using it for the first time.

**The battery lasts 1.5 years after fully charged the first time..

**Battery life varies by use

**Turn off the battery switch if you will not use the treadmill for an extended period of time. A recharge is necessary if the battery loses capacity, follow “STEP 0 Preparation: Charge N685 Before First Use” to recharge the battery in order to guarantee safe use of the product

Recommended laptop adapter specifications are as follows:

- (1) Input voltage: AC100-240V, 50/60Hz
- (2) Output voltage: DC18V
- (3) Power output: 25W or more
- (4) Output connector: DC:2.1,
- (5) Diameters & specifications of the plug:: Outside diameter: 5.5mm / inside diameter: 2.1mm. Potential: positive inside , negative outside

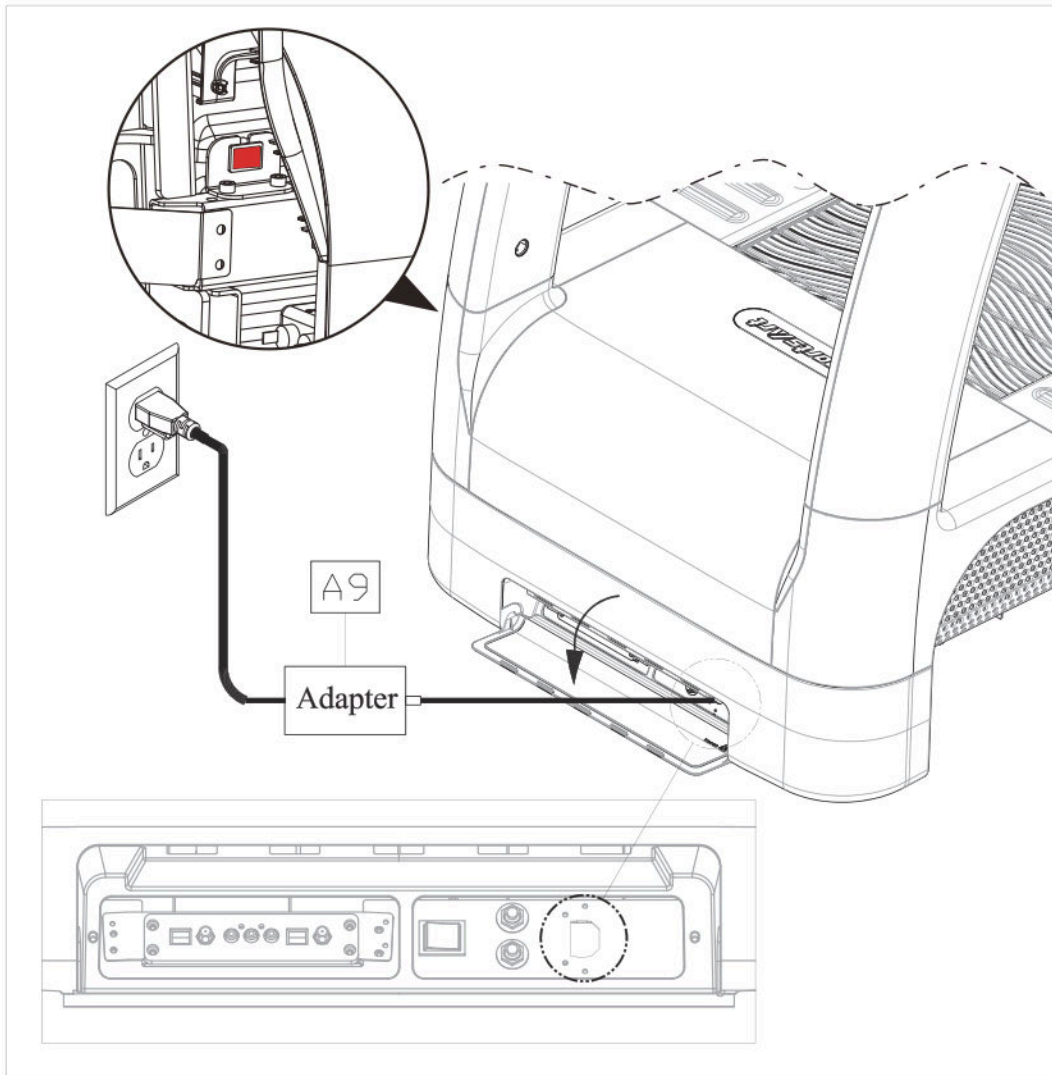
Cautions for G690:

- (a) G690 needs to be plugged into the mains for use. (Refer to “ STEP 10 Install the Power Cord -G690” for details)
- (b) If power outage occurs during use, the braking system will be activated to stop the running belt in 4 to 5 seconds; the speed of the belt will vary during this timeframe.

STEP 0 Prepare for Assembly (Cont.)

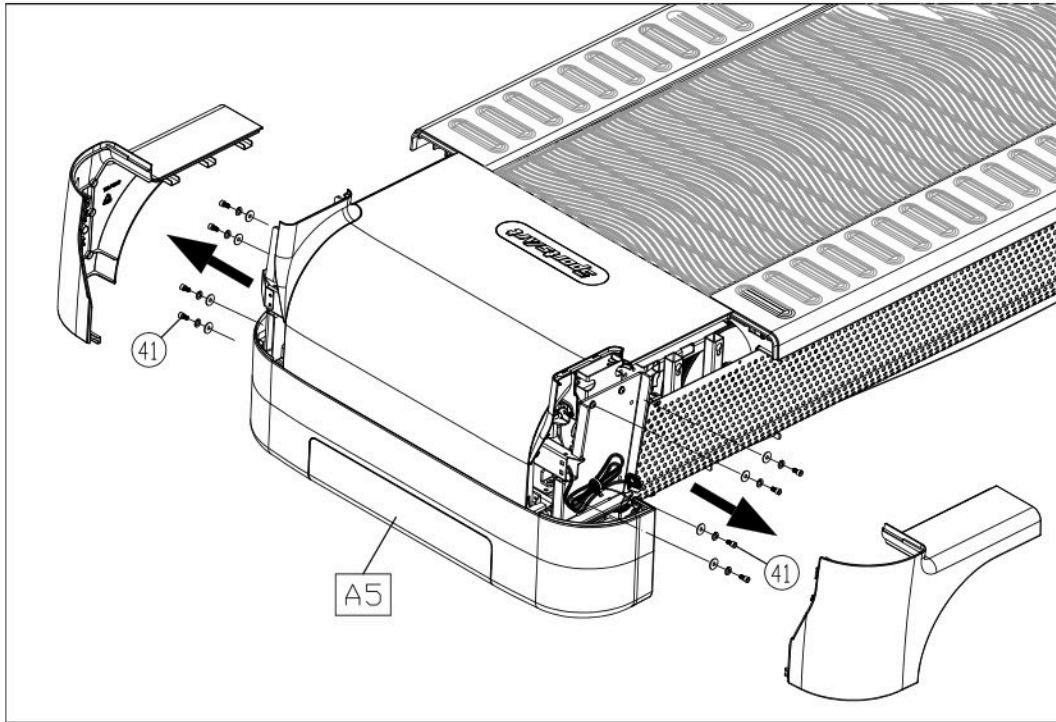
(a) G690 needs to be plugged into the mains for use.

(Refer to "Power Cord Installation" for details)



STEP 1 Left and Right Pedestals Installation

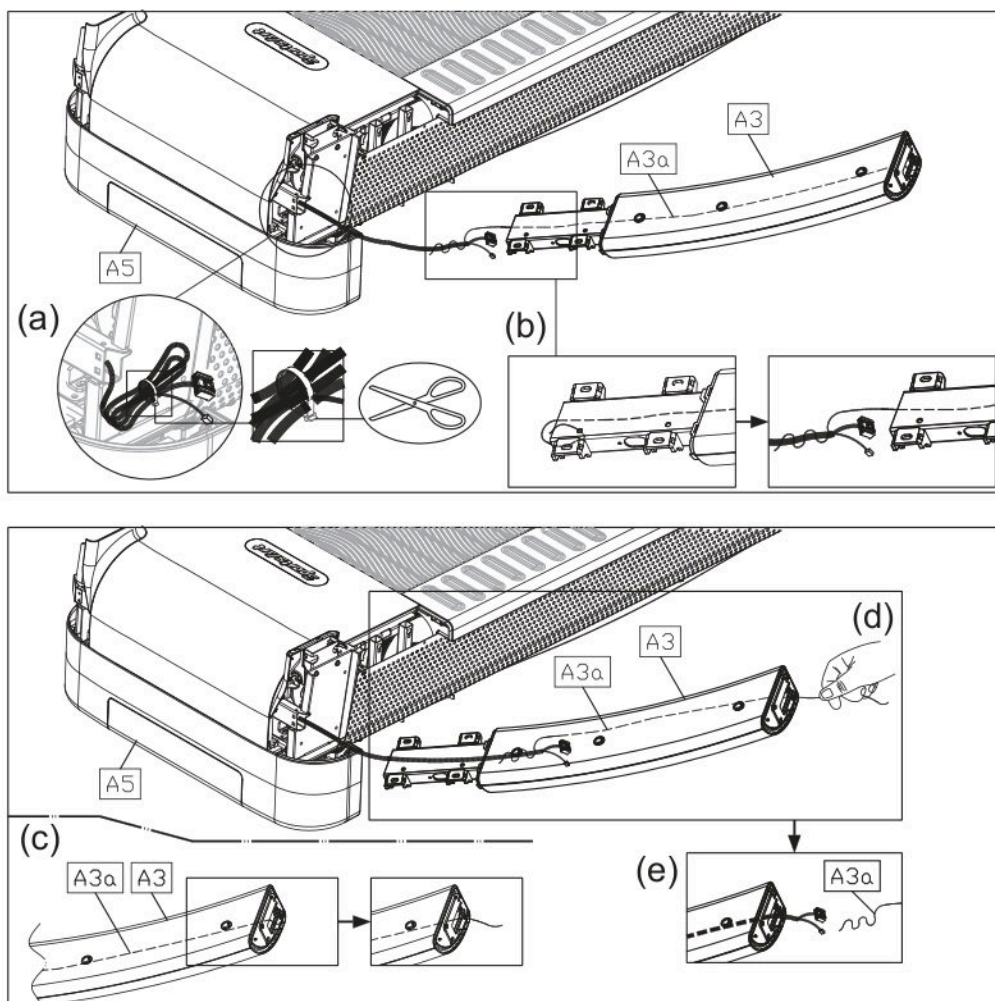
Remove the left and right covers from pedestal base, then remove the screws (41) from the left and right sides of the main frame (A5).



STEP 1 Left and Right Pedestals Installation (Cont.)

Follow steps (a) through (e) to thread the data cable into left pedestal (A3).

- (a) Pull out the data cable from the left pedestal base. Cut the zip tie, and uncurl the data cable.
- (b) Place the left pedestal (A3) on the floor as shown, with the bottom end facing the data cable. Detach the feeder cord (A3a) from the base of the pedestal, and tie the low end of the feeder cord (A3a) onto the top of the data cable.
- (c) Disconnect the feeder cord at the top of left pedestal (A3).
- (d) Pull the feeder cord (A3a) from the top of the left pedestal (A3) as shown, thus threading the data cable through the left pedestal (A3).
- (e) Once the data cable has been threaded through the pedestal, untie the feeder cord (A3a) from the data cable.



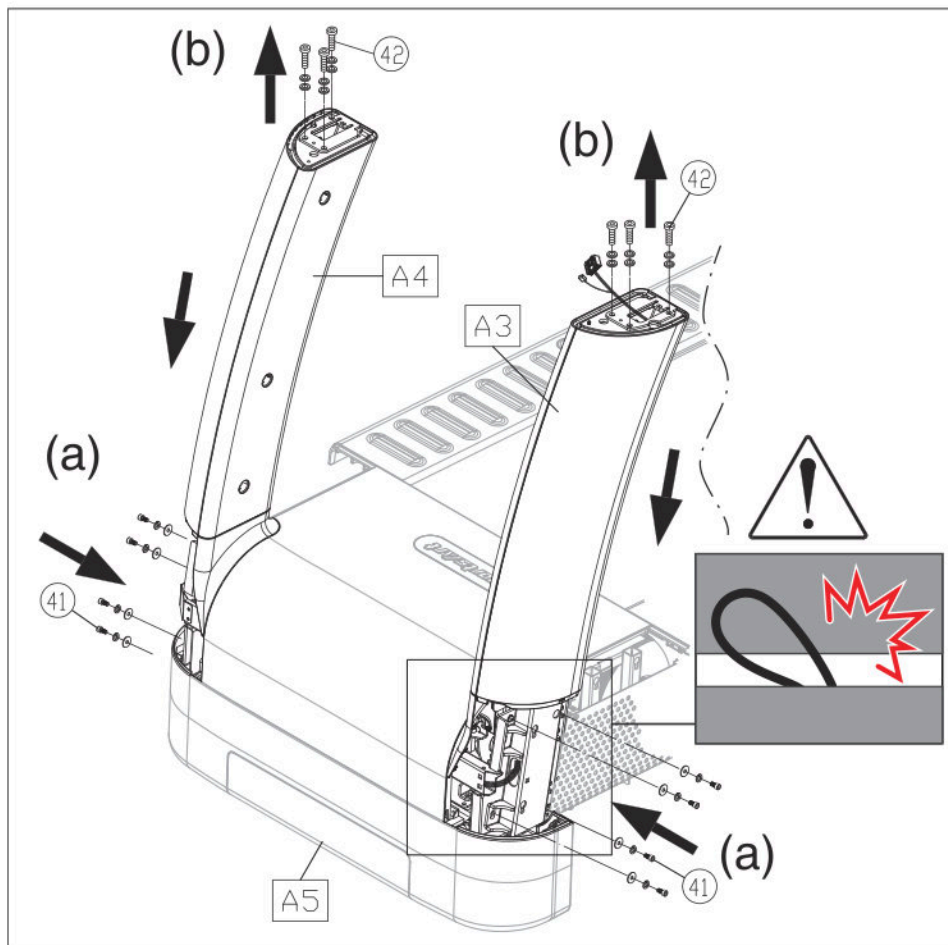
STEP 1 Left and Right Pedestals Installation (Cont.)

Follow steps (a) through (b) to install left and right pedestals (A3)(A4).

(a) Attach left and right pedestals (A3)(A4) to the main frame (A5), and mount screws (41) in position to secure the assembly.

Note: Make sure the data cable is not pinched when installing the left pedestal (A3).

(b) Remove screws (42) from left and right pedestals (A3)(A4).



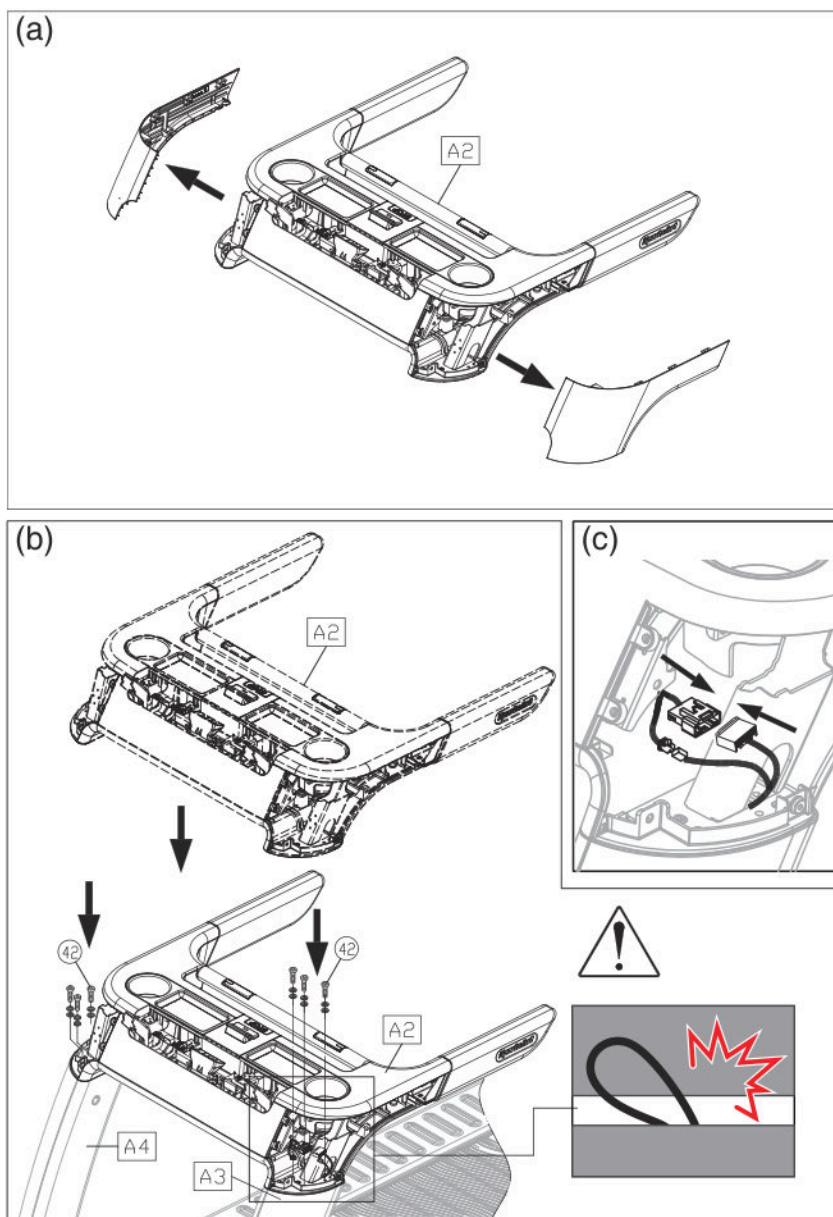
STEP 2 Display Panel Installation

Follow steps (a) through (h) to install the display panel.

- (a) Remove the left and right covers from the handlebar assembly (A2).
- (b) Attach the handlebar assembly (A2) to the left and right pedestals (A3) (A4), then mount screws (42) in position. After all screws on the left and right pedestals (A3)(A4) were mounted in position, fully tighten all mounting screws to secure the assembly.

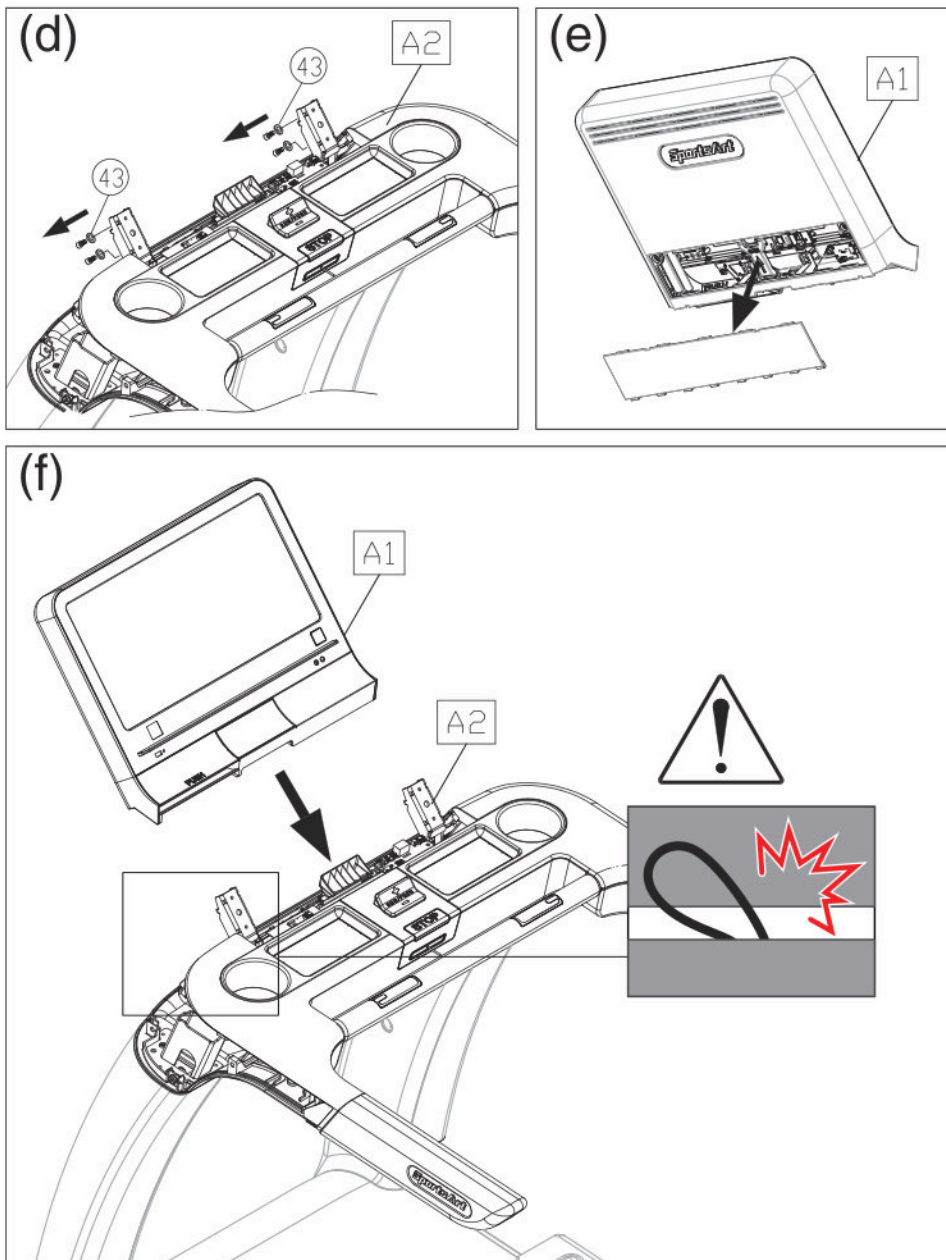
Note: Make sure the data cable is not pinched.

- (c) Connect the data cable from the left pedestal (A3) to the cable in the handlebar assembly (A2) as shown.



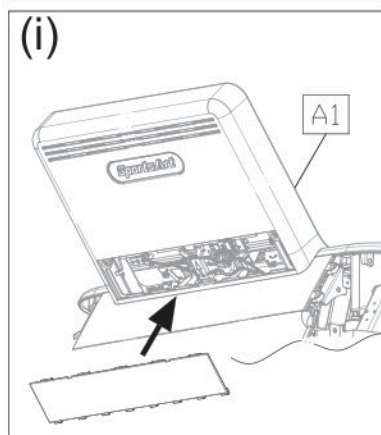
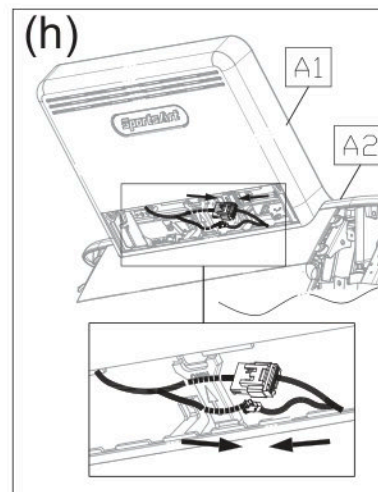
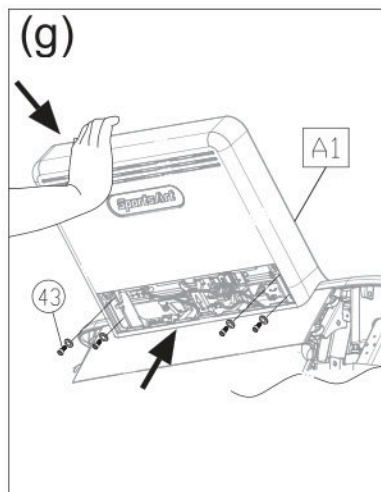
STEP 2 Display Installation (Cont.)

- (d) Remove screws (43) from the handlebar assembly (A2).
- (e) Remove the rear cover of the display panel (A1).
- (f) Insert the display panel into the 2 mounting brackets on the handlebar assembly (A2). Gently press down on the display during installation to avoid the front edge of display protrudes over the storage tray.
Note: Make sure the data cable is not pinched.



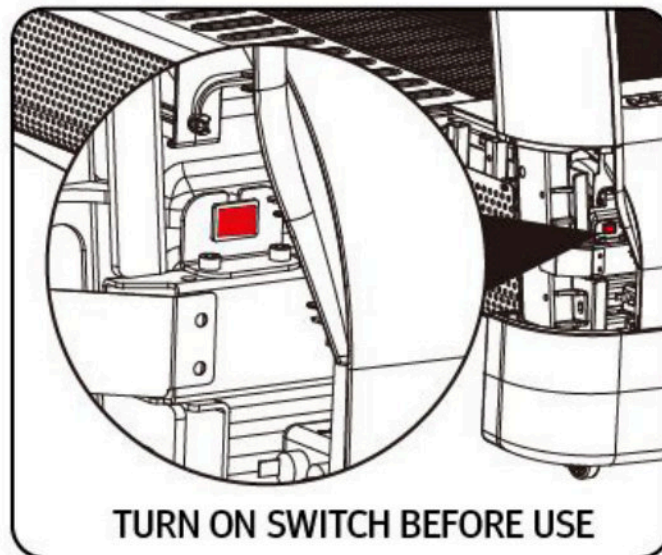
STEP 2 Display Installation (Cont.)

- (g) Hold the console assembly with one hand, gently tilt it forward, then press it downward. Use screws (43) to secure the display panel to the mounting brackets on the assembly.
- (h) Pull out the data cable from the handlebar assembly (A2), and connect it with the one on the back side of the display panel. Note: arrange all the cables neatly inside the display panel.
- (i) Attach the display panel cables to the connector in the handlebar assembly (A2), and to the circuit board as shown. Organize all the cables and stuff them in the display panel.
- (j) Finally, fully tighten screws (41)(42)(43) to secure the assembly, and put the cover back on.



STEP 3 Battery On/Off Switch

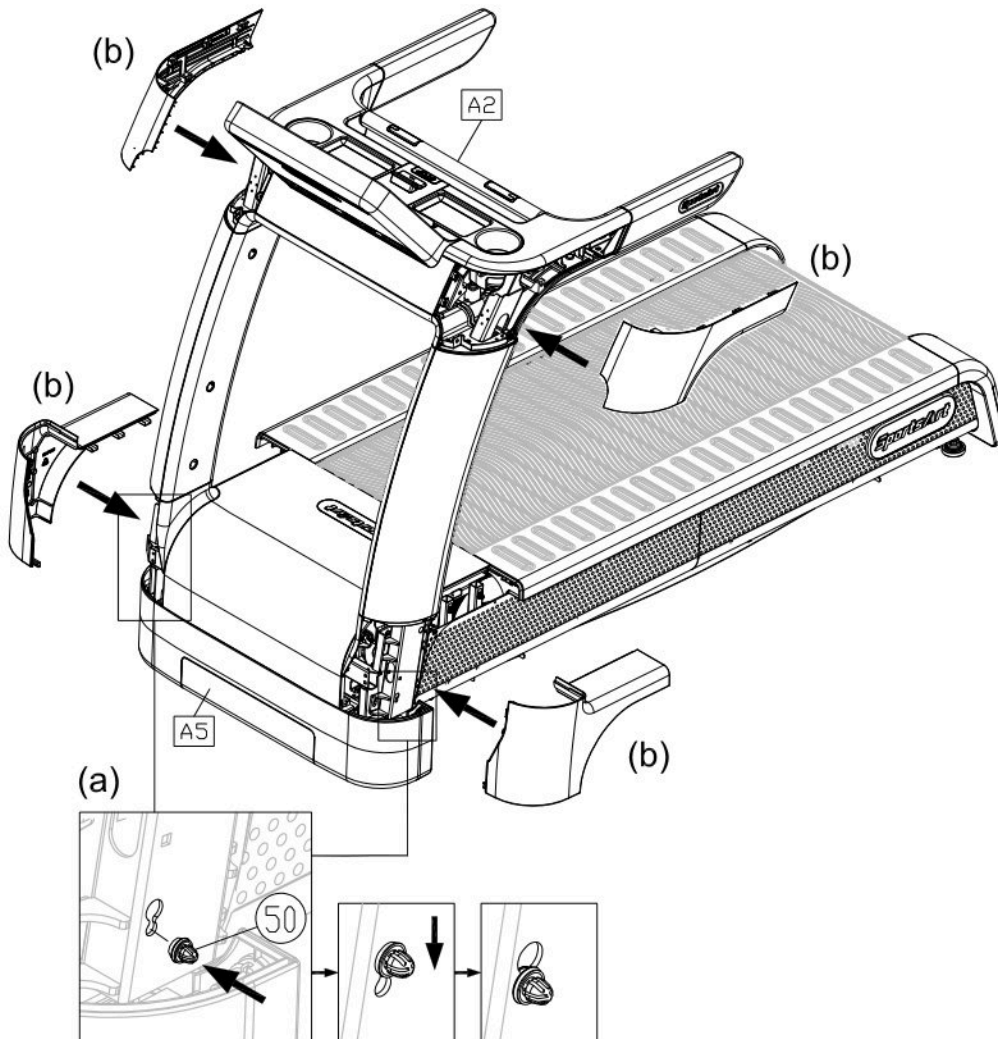
Turn on the battery switch located at the right pedestal as shown in the following figure before use.



STEP 4 Left/Right Side Covers Installation

Follow steps (a) through (b) to install left and right side covers.

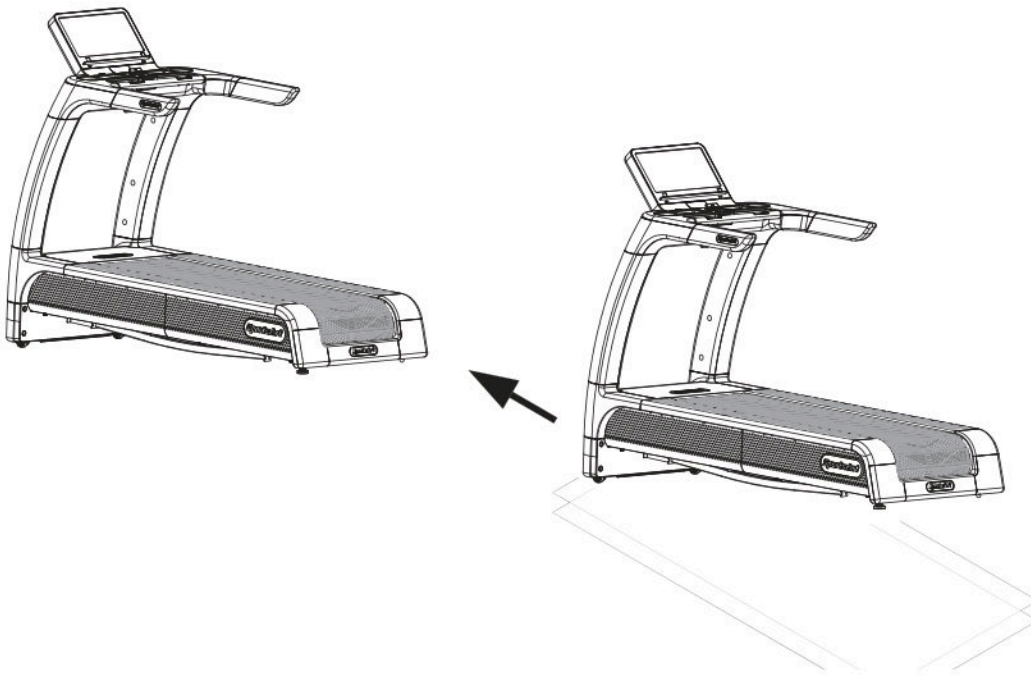
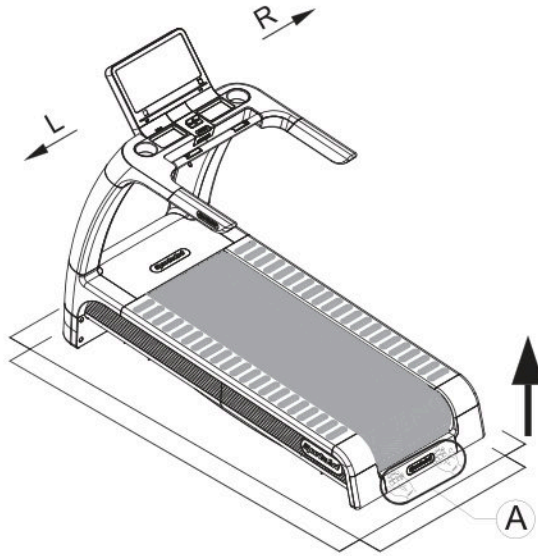
- (a) Install the plastic fasteners (50) to the left/right pedestals from top to bottom.(there are a total of two places)
- (b) Put the left/right side covers of the main frame (A5) and handlebar assembly (A2) in place.



STEP 5 Move the Treadmill into Place for Use

Hold the rear of the walking deck in area A, then lift the treadmill to roll it into desired position.

Warning: Do not place the treadmill on thick carpet or rugs as it may interfere with the walking belt. Place a wooden board on the carpet to keep carpet fibers out of the treadmill if unavoidable.

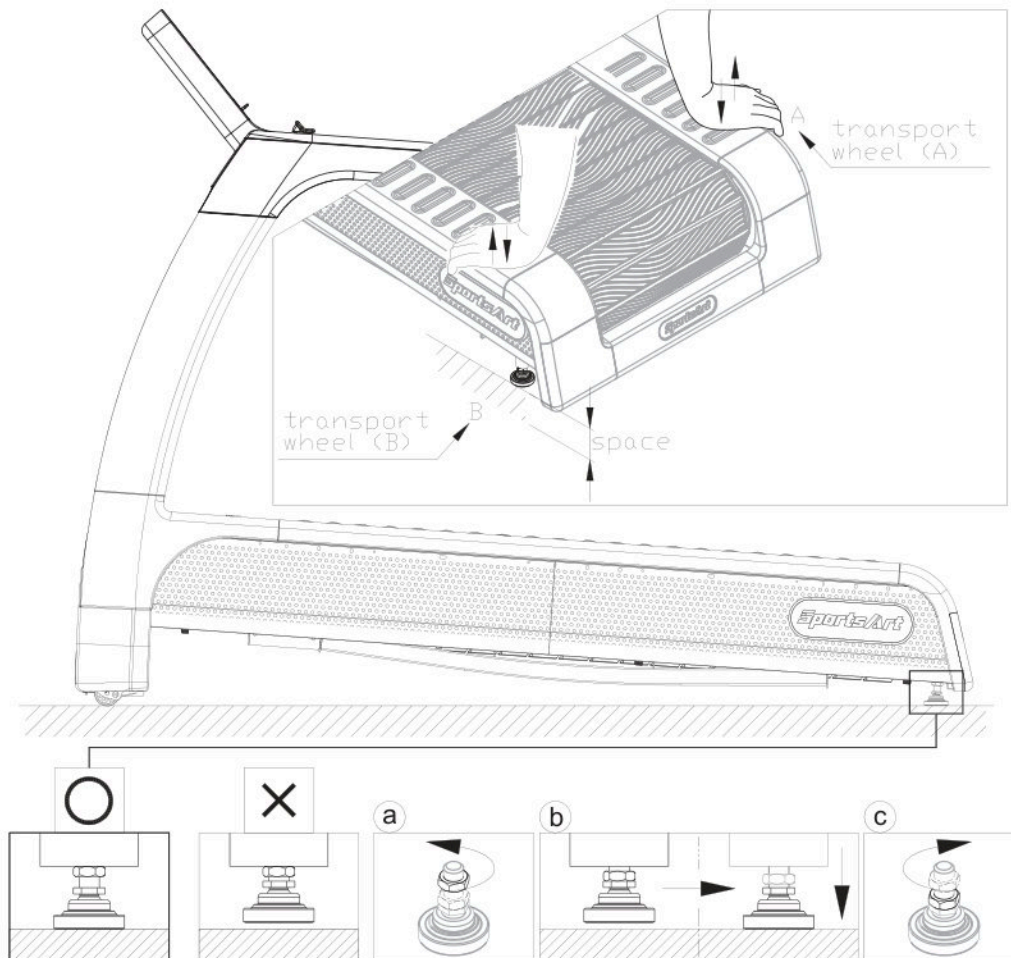


STEP 6 Level the Treadmill

Press downward on the rear part of the treadmill as shown. Inspect whether the treadmill rests flat on the floor. If the treadmill wobbles, adjust treadmill levelers as follows:

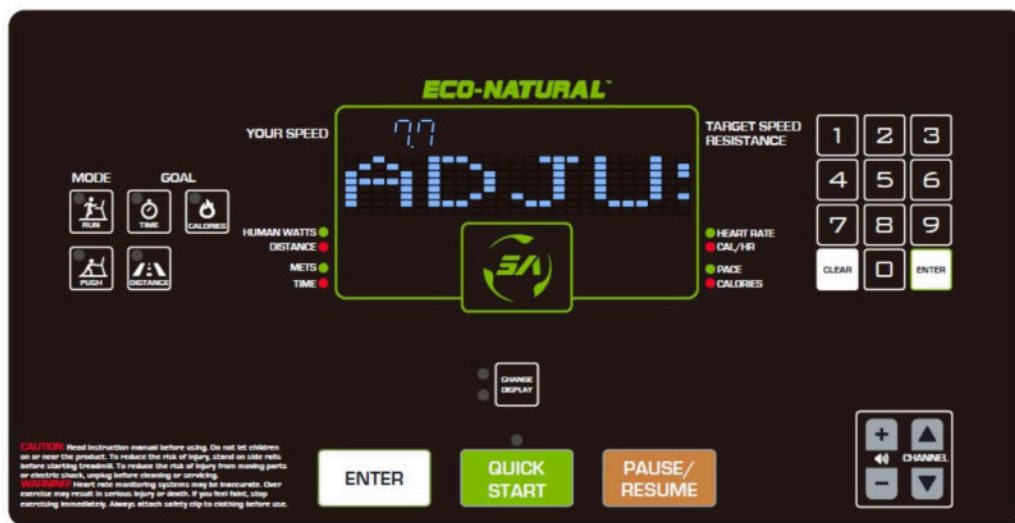
- (a) Loosen the lever nut.
- (b) Rotate the leveler foot downward until touching the floor.
- (c) Rotate the leveler nut upward against the frame of the product to secure this position.

Warning: Do not place the treadmill on thick carpet or rugs as it may interfere with the walking belt. Place a wooden board on the carpet to keep carpet fibers out of the treadmill if unavoidable.



STEP 7 Adjust the Incline On the Treadmill

1. The treadmill will initiate at the default incline of 7% every time you restart or wake the treadmill from standby. (The default incline of 7% is set according to 45kg user)
2. If the default incline is not set to 7%, refer to “STEP 6 Level the Treadmill” to set the incline between 6.8%~7.2%, or disable automatic detection of incline (an example of N685 is shown below), so that the treadmill starts normally.



STEP 7 Adjust the Incline On the Treadmill (Cont.)

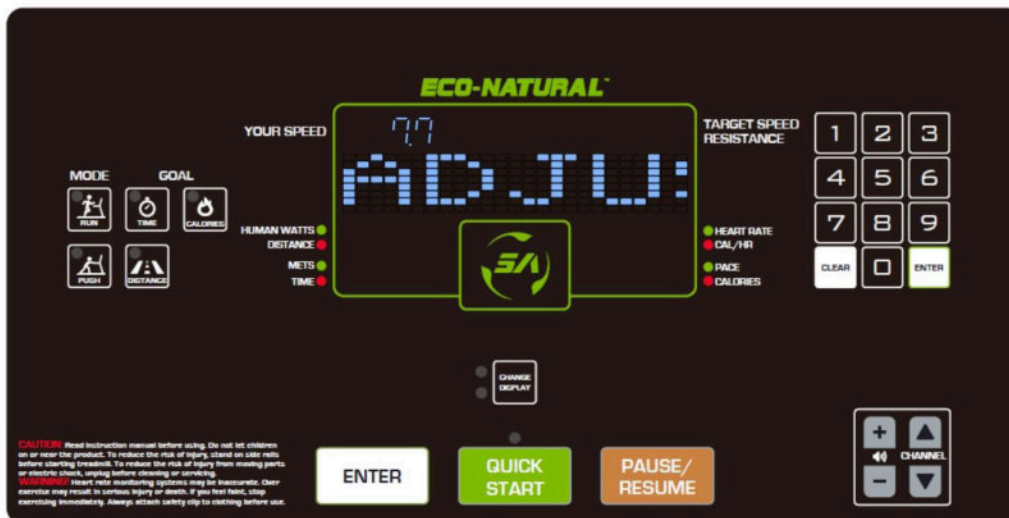
3. There are 2 ways of incline foot adjustment for lighter users:
 - (a) Adjust the incline foot to its lowest adjustment (7.7%), then the adjusted value will appear on the display. Remember to disable automatic detection of incline so that the treadmill starts normally.
 - (b) Slipping some type of shim under front incline foot. (Be sure to test the stability of the treadmill)
4. To enable or disable automatic detection of incline settings:

Hold down CHANGE DISPLAY for 3sec. on the start screen, then press ENTER to confirm. When the floating message “DETECTION OF SLOPE” appears on the display, press RUN/PUSH +/- key to choose YES or NO for automatic detection of incline.

YES: Enable automatic detection of incline (with default value)

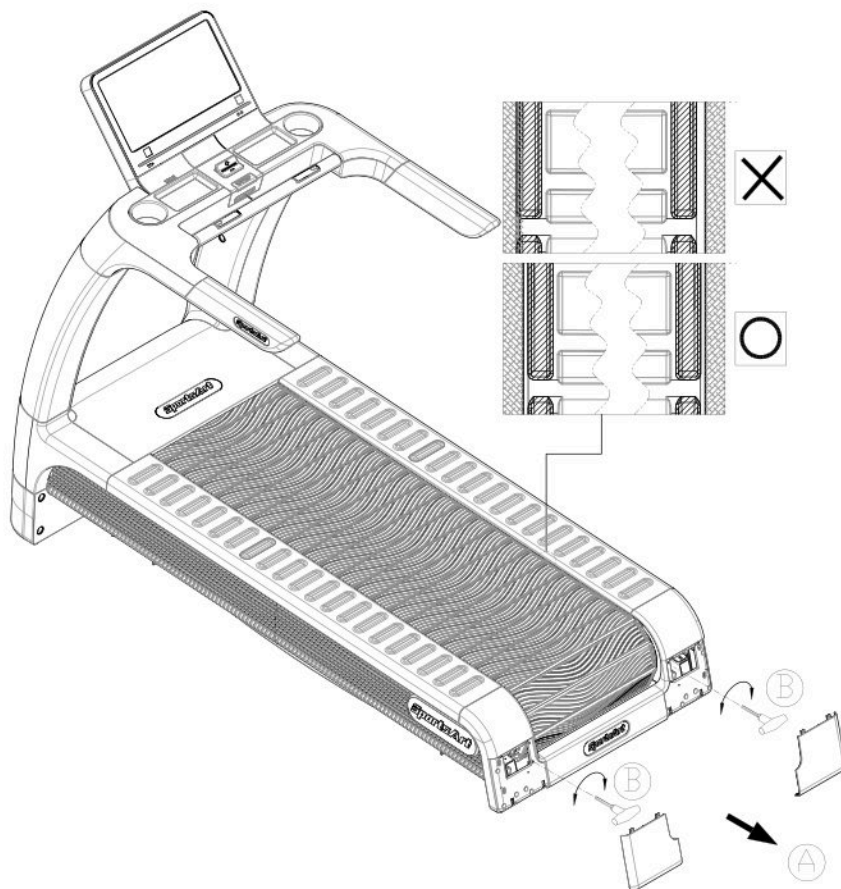
NO: Disable automatic detection of incline. (the incline value will not show on the display)

Finally, press STOP to exit after completing the setup.



STEP 8 Center the Walk Strips

- (a) First, make sure the treadmill is on a level surface and the incline is at 7%.
 - (b) Have somebody walk on the treadmill without holding onto the handrails. Start the speed at a lower rate of 3kph/2.5mph to check if the walk strips are aligned and if there is an equal amount of space between walk strips and side-rails on both sides. Remove the rear cover and turn the rear roller adjustment screw to adjust the walk strips if there is misalignment.
 - (c) Check if the walk strips are aligned to the edge of the cover. Just slightly off center is acceptable.
 - (d) Have someone running on the treadmill for 2 min., and check if the walk strips are shifted off-center, if so, go back to step (b) for readjustments.
 - (e) Ensure that the walk strips are correctly centered, and proceed to STEP 9.
- *Make adjustments as needed, but avoid turning rear roller screws more than one quarter rotation at a time.

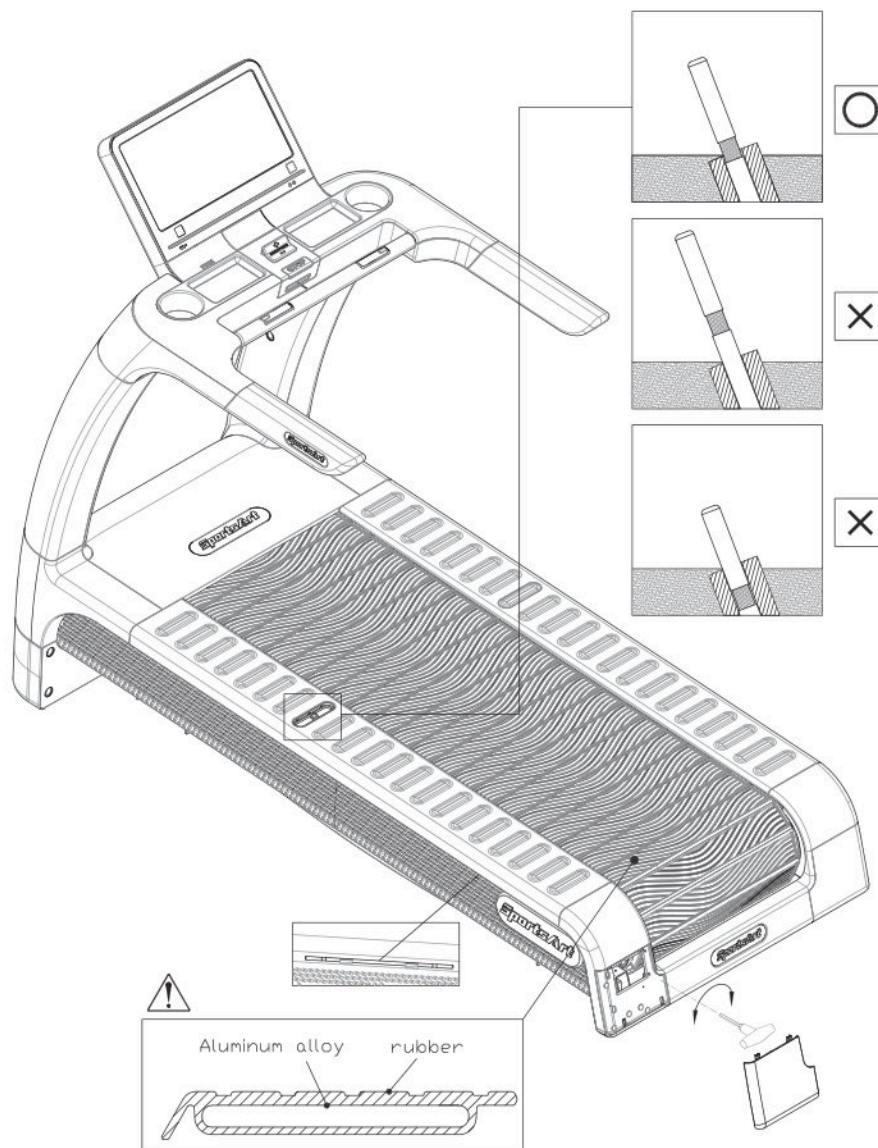


STEP 9 Check and tension the Walk Strips

Use the probe under left foot rail (as shown below) to inspect if the walk strips are correctly positioned.

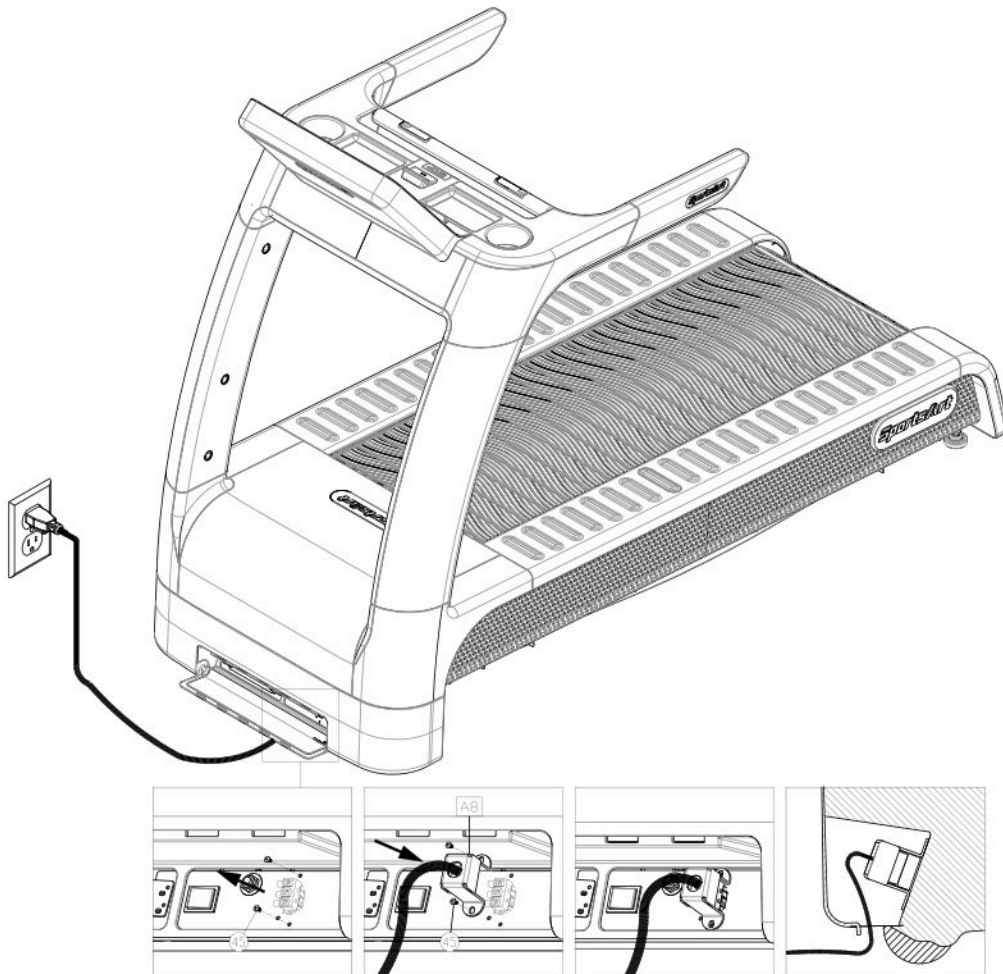
- (a) First remove the non-slip shim on left foot rail, then insert the probe to inspect whether the red mark on the probe is flush with the surface (as shown in the boxes, circle and crosses indicate right and wrong positions of the probe).
- (b) If not, open the left rear cover of the treadmill and find the T-shaped wrench to adjust the walk strip tension

NOTE: The walk strip should be replaced if it is worn out and aluminum alloy interior exposed.



STEP 10 Install the Power Cord (G690)

- (a) First, remove screws (45) from the power connector on the product.
- (b) Insert the power cord plug into the connector on the product.
- (c) Use screws (45) to secure the power cord plug (A8) into place.
- (d) Then insert the other end of the power cord (A8) into a proper power socket and thread the power cord out from the bottom as shown.



5. UNDERSTAND N685/G690 LCD DISPLAY

DISPLAY Overview

Before using the treadmill, please familiarize yourself with the features on the display so you can fully utilize the treadmill and all it has to offer.

N685 Display Panel



G690 Display Panel



DISPLAY Specifications

Parameter	Spec.
TARGET SPEED (RUN)	N685:2.0-10.0 MPH or 3.5-16.0 KPH (Weight: 45KG / 100LB and above) G690:2.0-15.0 MPH or 3.0-24.0 KPH (Weight: 45 KG / 100LB and above)
RESISTANCE (PUSH)	1-6
TIME	0:00-99:59 , 100-9999
DISTANCE	0.00-9999 Mile/KM (display maximum of 2 decimal places)
CALORIES	0-9999 K-CAL
CAL/HR	0-9999 K-CAL
HEART RATE	35-220 bpm
METS	0.0-99.9
PACE	1 /SPEED
HUMAN WATTS	0-999
Instant Watt To GRID	0-200 Watts (only in G690)

DISPLAY Keys

No.	Key Name	Function
1	LCD window	Displays the following parameters: SPEED, RESISTANCE, HEART RATE, DISTANCE, TIME, CALORIES, Instant Watt To GRID 【only in G690】
2	GOAL	Sets the following parameters: TIME, DISTANCE, CALORIES, Watt-hour To GRID 【only in G690】
3	MODE	Switch between RUN and PUSH mode
4	CHANGE DISPLAY	Move between messages in LCD window
5	QUICK START	Skips the setup, selections, and starts the treadmill immediately
6	ENTER	Confirm your selection
7	QR code and NFC tag	(1) Without SA WELL+: Scanning the QR code and tapping the NFC tag will only display the SPORTSART website. (2) With SA WELL+: Using our SA WELL+ app (for Android or iOS), you can scan the QR code or tap the NFC tag on the console to connect with the treadmill.
8	USB port	Used for software updates but can also be used as a charging port. (the charging function is only available in G690)
9	SA WELL+	Data management (This function is only available if you purchase SA WELL+)
10	RUN/PUSH + -	Press +/- to adjust speed or resistance level
11	STOP key	Press to stop the treadmill, hold down to go back to start screen.
12	Safety key	Insert safety key to allow treadmill to start. If key is removed the treadmill will stop immediately.
13	Numeric keys	Used to quickly set speed
14	PAUSE/RESUME	Press to pause or resume the workout.
15	TV WIRELESS AUDIO RECEIVER	Change volume and TV audio channel
16	Wake-up key	Wake up the display from sleep mode
17	Headphone Jack	Plug in headphones to hear wireless TV audio (in conjunction with MYE option).
18	Fan speed key	Cycles thru 3 different fan speeds. 【only in G690】

DISPLAY Setup Guide

MODE:

RUN	The treadmill automatically adjusts the belt speed based on the target speed
PUSH	The treadmill will create resistance for a more intensive workout.

GOAL:

TIME	The time duration ranges from 5-300min. The default duration is 30min.
DISTANCE	The distance ranges from 0.1-99.9 miles/kilometers. The default distance is 2 miles/ 3 kilometers.
CALORIES	The calories ranges from 100-9999 Kcal. The default value is 100Kcal.
Watt-hour To GRID 【only in G690】	The Watt-hour To GRID ranges from 5-100 Wh. The default value is 20 Wh.

User Information Settings:

The treadmill measures your calories burned based on your personal information that you've entered.

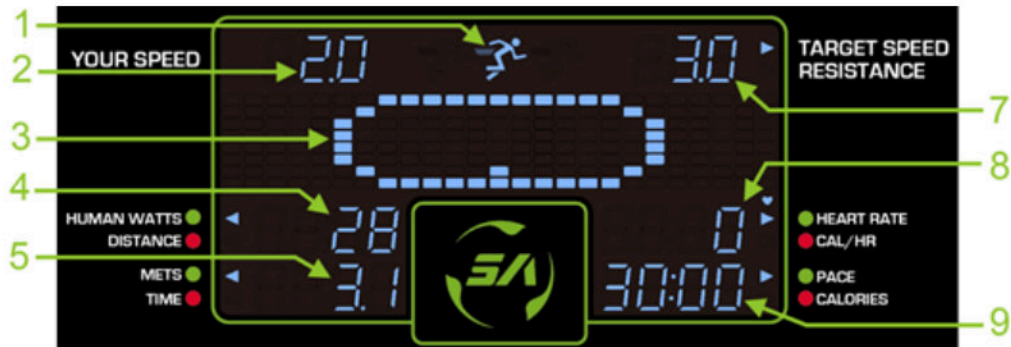
AGE	Age ranges from 10-90y/o. The default age is 35y/o.
WEIGHT	Weight ranges from 100-330LB / 45-150KG. The default weight is 165LB / 75KG.

User Parameter Settings:

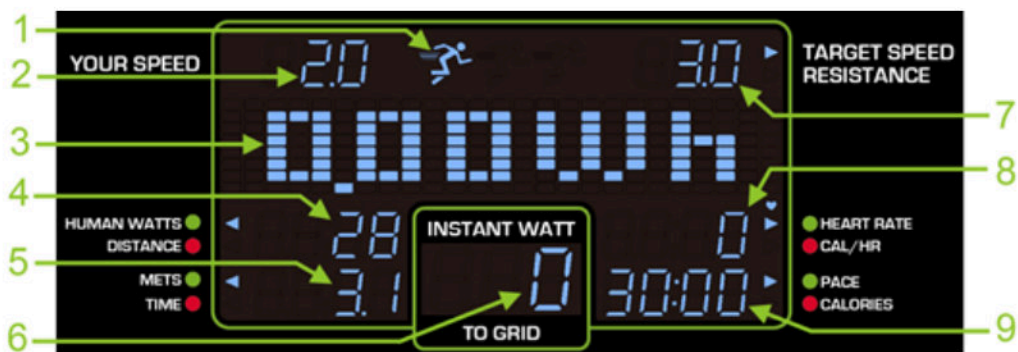
EUP time	EUP time ranges from 5-600 min. The default value is 30 min.
Time limit	Time limit ranges from 5-60 min. The default value is 30 min.

DISPLAY Parameter Window

N685 parameter window



G690 parameter window




No.	Parameter	Function
1	The light man signal	In RUN mode: -When actual speed is < target speed, the figure will keep flashing and look like it is moving. -When actual speed is \geq target speed, the figure will not flash and will stay lit in the middle of the screen. In PUSH mode: The figure will always flash.
2	YOUR SPEED	Displays the actual speed
3	Display area	Displays text and graphics

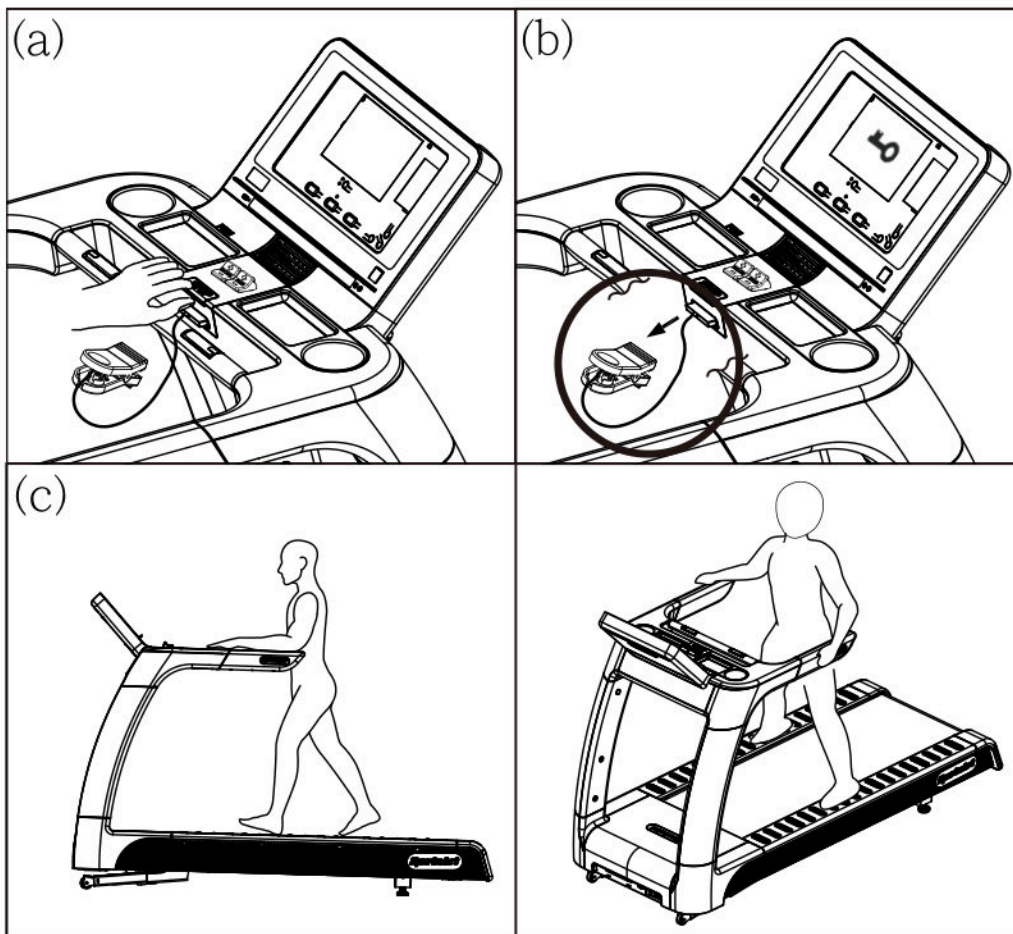
DISPLAY Parameter Window (Cont.)

No.	Parameter	Function
4	HUMAN WATTS/ DISTANCE	HUMAN WATTS: Your current HUMAN WATT amount. DISTANCE: The distance you've covered or the distance still remaining in your current program.
5	METS/TIME	METS: Your current MET. TIME: Your time covered or remaining in your workout.
6	Instant Watt To GRID	Real-time watts being put back into the grid. (only in G690)
7	TARGET SPEED or RESISTANCE	Your TARGET SPEED or RESISTANCE
8	HEART RATE & CAL/HR	HEART RATE: Real-time heart rate monitoring (via HTR contact plates). CAL/HR: Calories burned per hour
9	PACE/CALORIES	PACE: Your current one mile pace. CALORIES: Total calories burned during current workout.

6. SAFETY TIPS FOR USING N685/G690 TREADMILL

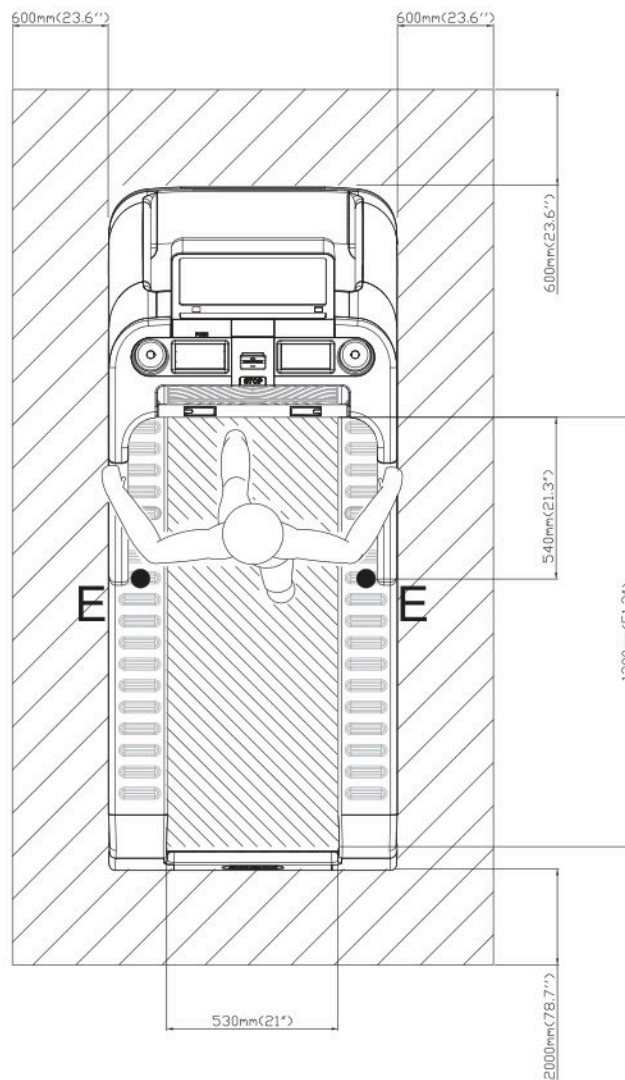
SAFETY TIPS Safety Mechanism

- The treadmill is equipped with a safety key so that one can immediately stop the belt and shut off the treadmill to prevent accidents from happening.
 - The flashing key sign  shown on the display indicates that the safety key has been removed and the treadmill will not start again until it has been reinserted.
- (a) **Emergency-stop push button:** Press the emergency-stop push button shown in figure (a) to shut down the device. To restart the device, please follow the standard operating procedure.
- Safety key:** Simply pull the safety key as shown in figure (b) and the treadmill will come to a halt. To start it up again, just attach the key and you are back up and running again.
- (b) **Emergency dismount:** Hold on to railing and stand astride the treadmill belt as shown in figure (c). Step off the treadmill when it stops running.



SAFETY TIPS **Safety Operating Area**

- (a) Safety clearance required as shown below. Do not allow people to be near this area when operating.
- (b) Make sure to stand on the center of the running belt where are marked with green round labels at area E when operating.
- (c) The running surface is as shown below.
- (d) Noise emission under load is higher than without load.
- (e) Noise level will be variable depending on user's weight, running style and speed.
- (f) Over exercising or improper workout form may result in serious injury.




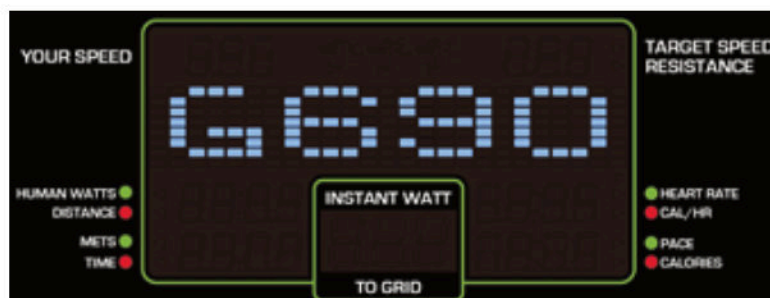
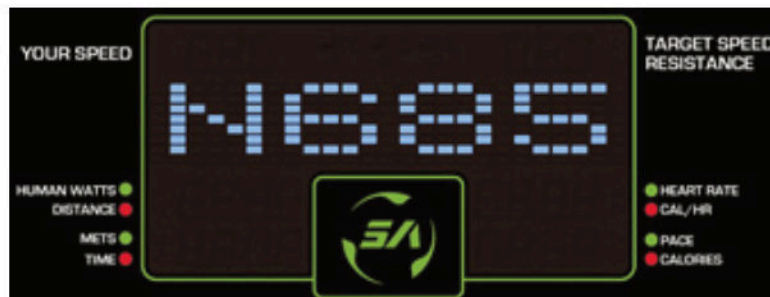
7. N685 / G690 TREADMILL OPERATION

OPERATION Start Screen

1. For safety reasons, make sure the safety key is properly clipped onto your clothes before operating treadmill.





2. Press the wake-up key  located on the bottom right corner of the display, after hearing a “beep” sound, the display will show the start screen of N685/G690.



OPERATION QUICK START

The Quick Start program is used to bypass the setup mode and start your workouts immediately. When using Quick Start, the treadmill will start in RUN mode and will use the default values (35y/o, 75kg/165lb) for calculations.

Getting started: QUICK START

1. Press <QUICK START> , or the plus sign(+) on <RUN/PUSH> .
2. The walk belt will be unlocked and a 3 second countdown will be shown on the display allowing the walk belt to start moving.



RUN mode in N685



RUN mode in G690

You can change to <PUSH> mode as shown below:



PUSH mode in N685



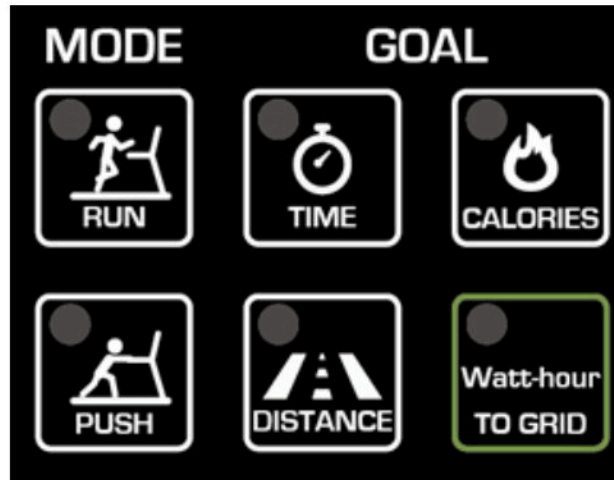
PUSH mode in G690

3. Press <STOP>  to end your workout. then The word “SUMMARY” will popup on the display and your workout summary will be shown for 15 sec. Press <STOP> again to return to the start screen.



OPERATION RUN or PUSH




Select RUN or PUSH mode from the mode menu on the left side of the display.



Start RUN or PUSH mode:

1. Press <RUN>  or <PUSH> 

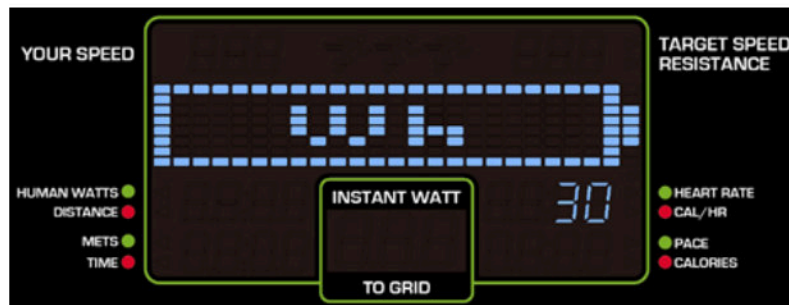
2. Select a goal for your workout.

For example, if you select <TIME> , you can press +/- on <RUN/PUSH> key  to set a TIME goal, or type the target time on the keypad, then press the ENTER key  to confirm your selection.



OPERATION RUN or PUSH (Cont.)

- (1) Goals can be either Time, Calorie, Distance, or Watt-hour To GRID (only in G690)
- (2) If you select <Watt-hour To GRID>, the display will show a battery symbol
- (3) If you don't select <RUN> or <PUSH> mode, the treadmill will start in <RUN>mode by default



3. Setting AGE and WEIGHT

The display will show "AGE", press +/- on the <RUN/PUSH> key, or type the number on keypad to set your age. After you confirm your selection, the display will show "WT-KG", press +/- on the <RUN/PUSH> key, or type the number on keypad to set your weight, press confirm to complete the settings.



AGE setting screen

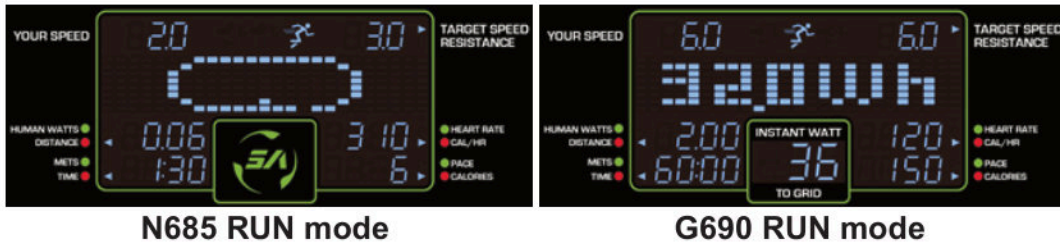


WEIGHT setting screen

OPERATION RUN or PUSH (Cont.)

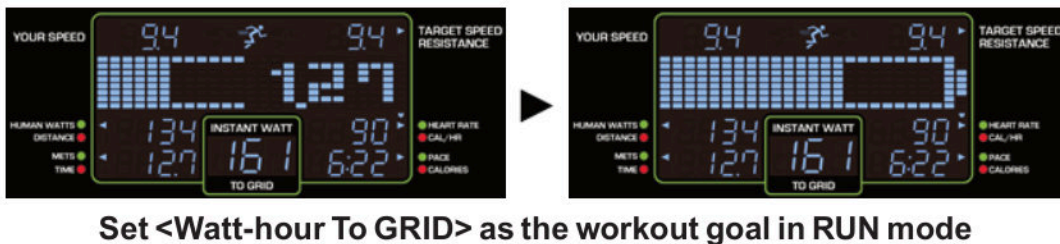
4. After completing the setup, the walk belt will be unlocked and a 3 second countdown will be shown on the display, after which the walk belt will start moving.

※ If you select <TIME> or <DISTANCE> or <CALORIES> as workout goals, the following screen will be displayed:

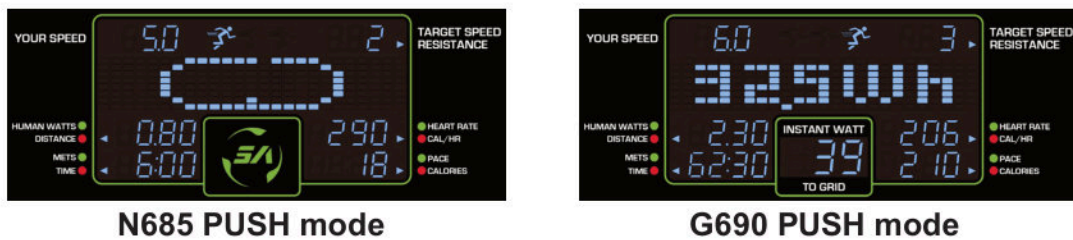


※ If you select <Watt-hour To GRID> as your workout goal, the following screen will be displayed:

(The battery symbol represents your workout progress)



Change to <PUSH> mode:



OPERATION RUN or PUSH (Cont.)

5. If you want to stop your workout, press the <STOP>key to end the program.



If you have reached your workout goals, the word “SUMMARY” will pop up on the display and your workout summary will be shown for 15 sec. Press <STOP> again to return to the start screen.



OPERATION Other Functions

1.Auto Shutdown

This function is only available for N685.

The treadmill will shutdown automatically after 1min of being idle.

2. EUP Function

This function is only available for G690.

When the treadmill is in standby, the driver and display panel require no power supply and the electricity is cut off to save energy. The EUP timer is adjustable. Refer to “OPERATION User Preference and Component Versions” for details.

OPERATION User Preference and Component Versions

In the basic settings menu, you can change the units of measure, show total distance and time, and see display and drive board program version numbers. To access this information, at the startup banner screen, hold the <CHANGE DISPLAY> key for three seconds, at any point in this menu you can press the <STOP> button and return to the startup screen.

OPERATION User Preference and Component Versions(Cont.)

(1) UNITS

“UNIT – MILE” or “UNIT – KM” will scroll across the screen, use RUN/PUSH +/- to toggle between the two settings. When your preference appears, press the ENTER key to confirm and proceed to the next setting.

(2) PROGRAM VERSION

The following program version will scroll across the screen, use RUN/PUSH +/- keys to view each program version. Press the ENTER key to view total distance.

- (a) CTL xxxx : Display program version
- (b) DRV xx-xxxx : Drive board version
- (c) MI xx-xxxx : G690 Micro Inverter drive board version (G690 only)
- (d) SA WELL+ x.x.x : SA WELL+ board version (Available with optional SA WELL+.)

(3) TOTAL DISTANCE

“TOTAL DISTANCE xxxxxx KM” or “TOTAL DISTANCE xxxxxx MILE” will scroll across the screen, press the ENTER key to view total time.

(4) TOTAL TIME

“TOTAL TIME xxxxxx HOURS” will scroll across the screen, press the ENTER key to view the product serial number or total energy created (For G690 only).

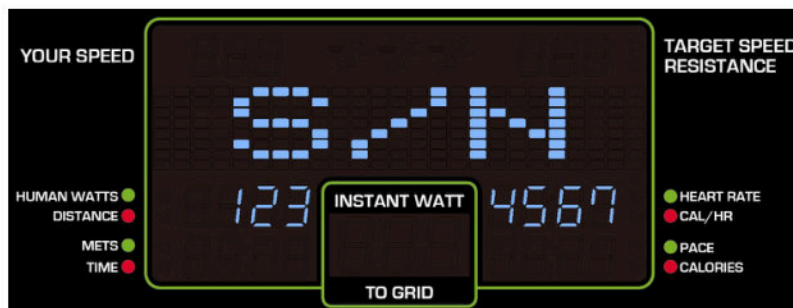
(5) TOTAL ENERGY (For G690 only)

“TOTAL ENERGY xxxxxx KWH” will scroll across the screen, press the ENTER key to view the product serial number.

(6) PRODUCT SERIAL NUMBER

“S/N xxxxxxxx”(as shown in the following figure) will scroll across the illustration screen, press the ENTER key to proceed to the next setting.

* The serial number will be shown like below:



OPERATION User Preference and Component Versions(Cont.)

(7) LANGUAGE

The current country selected will scroll across the screen, use RUN/PUSH +/- to toggle between languages. Press the ENTER key to confirm and proceed to the next setting.

(8) EUP TIME (For G690 only)

The screen will show "EUP", use RUN/PUSH +/- or the keypad to change the sleep timer. Press the ENTER key to confirm and proceed to the next setting.

Note: If the timer is set less than 5 minutes, EUP mode will be deactivated.

(9) PROGRAM TIME

The screen will show "LIMIT", use RUN/PUSH +/- or the keypad to make your selection. Press the ENTER key to confirm and proceed to the next setting.

Note: If the timer is set less than 5 minutes, program time limit mode will be deactivated.

(10) BEEP SOUND

The screen will show "BZ", use RUN/PUSH +/- to toggle between "YES" or "NO". Press the ENTER key to confirm and proceed to the next setting.

(11) DETECTION OF SLOPE

"DETECTION OF SLOPE" will scroll across the screen, use RUN/PUSH +/- to toggle between "YES" or "NO" settings. Press the ENTER key to confirm and return to the startup screen. Note: For more details on setting up slope, please refer to assembly instruction.

OPERATION Error Messages

Error messages can appear on the treadmill as a troubleshooting aid.

Error messages appear in the following format: "ERROR_X_Y". X represents the category of the error. Y represents the specific issue.



OPERATION Error Messages (Cont.)

N685 Error code explanations are as follows:

Error code X	Error code Y	Explanation	Description
1	7	Excessive speed (Over 10.5MPH/17KPH)	
1	8	Display and Optic Sensor speeds do not match.	
2	3	Flywheel electromagnet is too hot.	
2	4	Generator is too hot.	
4	7	Buck (Step-down circuit) malfunction	
7	5	wear and tear on brake pads	
7	6	wear and tear on brake pads	
7	7	Brake board communication is abnormal	
8	1	When power is on, communication is abnormal.	
8	2	When power is on, communication is normal, however an abnormality occurs during operation.	
9	1	EPROM to drive board communication is abnormal.	
9	2	G-Sensor communication is abnormal.	
9	3	EPROM to G-sensor communication is abnormal.	

OPERATION Error Messages (Cont.)

G690 Error code explanations are as follows:

Error code X	Error code Y	Explanation	Description
1	1	AC voltage (Vac), zero-bias is abnormal.	Micro Inverter drive board abnormality
1	2	Display and Optic Sensor speeds do not match.	Micro Inverter drive board abnormality
1	7	Excessive speed (Over 15.6MPH/ 25KPH)	
1	8	Display and Optic Sensor speeds do not match.	
2	1	Micro Inverter IGBT over current (DC bus over current)	Micro Inverter drive board abnormality
2	3	Flywheel electromagnet is too hot.	
2	4	Generator is too hot.	
3	1	AC power loss (The island effect).	Micro Inverter drive board abnormality
3	2	AC power supply error.	Micro Inverter drive board abnormality
3	3	AC power frequency error.	Micro Inverter drive board abnormality
4	3	Micro Inverter DC_BUS voltage too high (Software)	Micro Inverter drive board abnormality
4	4	Micro Inverter DC_BUS voltage too high (Hardware)	Micro Inverter drive board abnormality
4	5	Booster (Step-up circuit) output voltage too high.	
4	6	Booster (Step-up circuit) output over current.	
4	7	Buck (Step-down circuit) malfunction	
5	2	Relay malfunction	Micro Inverter drive board abnormality
6	1	Generator over current. (Booster IGBT abnormality)	Micro Inverter drive board abnormality

OPERATION Error Messages (Cont.)

Error code X	Error code Y	Explanation	Description
6	2	Generator voltage error.	Micro Inverter drive board abnormality
7	5	wear and tear on brake pads	Detected brake skin wear
7	6	wear and tear on brake pads	Abnormal brake motor detected
7	7	Brake board communication is abnormal	Control board communication anomaly
8	1	When power is on, communication is abnormal.	
8	2	When power is on, communication is normal, however an abnormality occurs during operation.	
8	5	Micro Inverter drive board communication abnormality (Startup communication abnormality.)	When you turn off the AC power, you need to wait about 30 seconds before you can turn on the AC power again.
8	6	Micro Inverter drive board communication abnormality (Communication interrupted.)	
9	1	EPROM to drive board communication is abnormal.	
9	2	G-Sensor communication is abnormal.	
9	3	EPROM to G-sensor communication is abnormal.	

8. MICRO INVERTER MI-250

MICRO INVERTER Important Safety Instructions



CAUTION

These servicing instructions are for use by qualified personnel only. To reduce the risk of electric shock, do not perform any servicing other than that specified in the operating instructions unless you are qualified to do so.

PRUDENCE!

Ces instructions d'entretien sont uniquement destinées à un personnel qualifié. Pour réduire le risque de choc électrique, ne pas effectuer un autre service que celui spécifié dans les instructions de fonctionnement, à moins que vous soyez qualifié pour le faire.

To lower the risks involved in the assembly and operation of this inverter, please carefully note the meaning of the following warning symbols, abide by their messages, and thoroughly read these instructions.



This WARNING symbol indicates a risk of electric shock. Please use extreme caution when processing the procedure.



This CAUTION symbol identifies an improper operation that could result in critical safety issue or damage to the user or devices.

MICRO INVERTER Cautionary Messages

To lower the risks involved in the assembly and operation of this inverter, please follow the intent of these messages.



CAUTION

Plates are live. Disconnect unit before servicing. No user serviceable parts inside. Refer servicing to qualified service personnel.

ATTENTION!

Les plaques sont à nu. Débrancher l'appareil avant son entretien. Aucune pièce n'est réparable par l'utilisateur. Faire appel à un réparateur qualifié pour toute intervention de dépannage.

MICRO INVERTER Cautionary Messages (Cont.)



WARNING

Power fed from more than one source. Each circuit must be individually disconnected before servicing. Do not remove cover until 5 minute after disconnecting all sources of supply.

AVERTISSEMENT!

L'alimentation provient de plus d'une source. Chaque circuit doit être coupé avant toute intervention de dépannage. Attendre 5 minutes avant de retirer le couvercle une fois toutes les sources d'alimentation coupées.



CAUTION

Perform all electrical installations in accordance with all applicable local electrical codes and the National Electrical Code (NEC), ANSI/NFPA 70.

PRUDENCE!

Effectuer toutes les installations électriques en conformité avec les règlements locaux en vigueur et du Code National de l'Electricité (NEC), ANSI/NFPA 70.

MICRO INVERTER Electronic Specifications

Input Data(3 Phase AC)	
Input power source	3 Phase permanent-magnet generator
Maximum input voltage	140V(line-to-line voltage)
Nominal operating voltage range	55-125V(line-to-line voltage)
Maximum input current	7A(line current)
Output Data(single phase AC)	
Maximum continuous output power	200W
Output power factor rating	>0.9
Nominal voltage(Operating range)	120VAC(105.6-132.0V) 230VAC(184.1-264.4V)
Maximum continuous output current	2.0A(for 120V) 1.3A(for 230V)
Normal output frequency(Operating frequency range)	60Hz(59.3~60.5Hz) 50Hz(47.4~50.1Hz)
Utility interconnection voltage and Frequency trip limits and trip times	0.16s 0.2s
Maximum units per branch	7 (for USA, 15A branch system) 9 (for EU, 10A branch system)
Output controlling method	The LEVEL command of panel controller
Others	
Normal operation temperature range	+5°C~+35°C
Storage temperature range	+5°C~+40°C
Enclosure Rating	Type 1:"indoor use only"
Application	For SportsArt device only

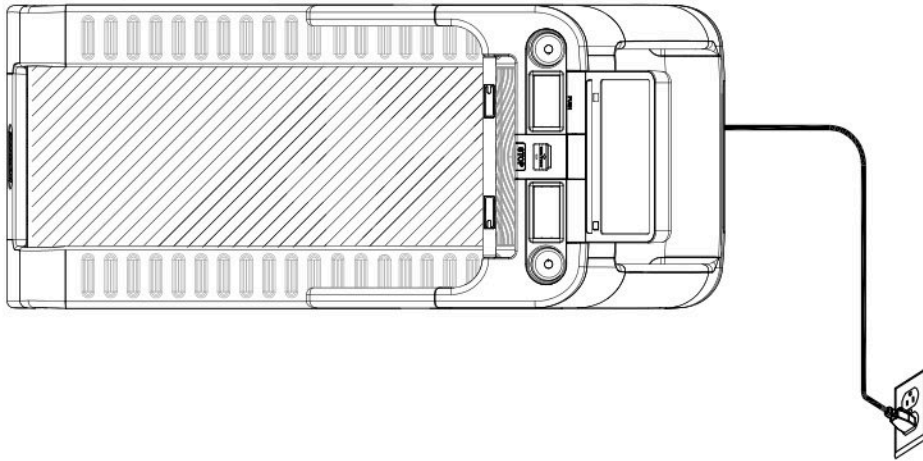
MICRO INVERTER Circuit Board & Product Settings

Frequency setting:

MI-250 can detect the frequency automatically without setting.

Connecting to grid power:

After MI-250 is installed into Eco-Powr products, the power can be linked to grid power through product power cord, as shown in the following figure. Attention: it is necessary to cover the power cord and product connecting area with a metal cover. Turn the product power switch to OFF and unplug the power cord from the wall outlet before pulling the plug from the product. If the plug is pulled while it is connecting to the power grid, it might cause the electric arc and damage the plug.



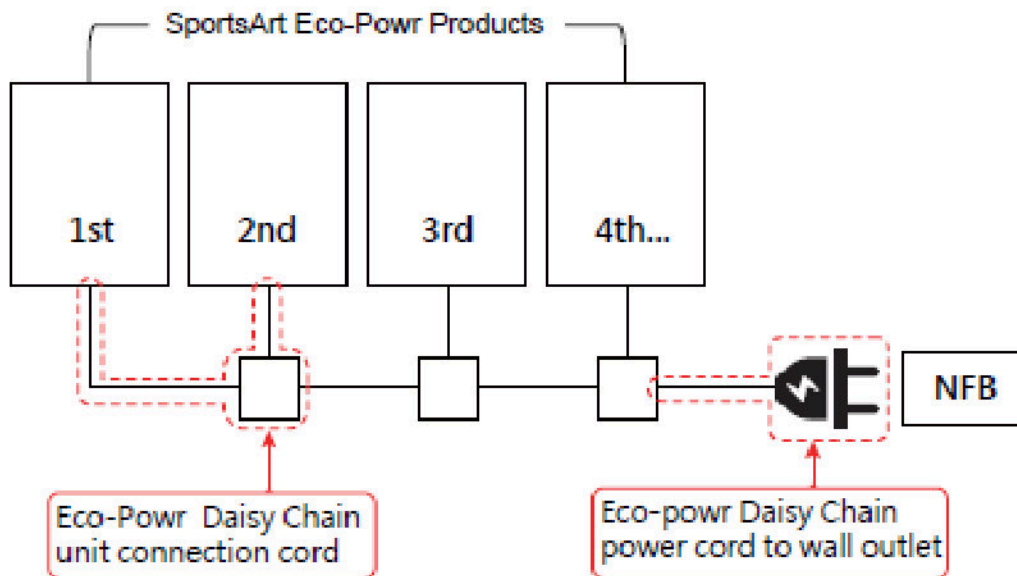
The number of products can be linked to a power circuit line:

The max wattage output of MI-250 is 250W. Pay attention to the electricity capacity limit (the rating of over-current protective device) to avoid overload. Different area voltage limits are shown as the following table.

Local Grid voltage	The rating of the circuit	Number of products
230V	10A	9
220V	10A	8
120V	15A	7
110V	15A	6

MICRO INVERTER Circuit Board & Product Settings (Cont.)

This optional accessory SportsArt Eco-Powr Daisy Chain unit connection cord is suitable SportsArt Eco-Powr Daisy Chain cable unit connection cable allows multiple Eco-Powr products to be powered from a single electrical socket.



Power on:

Start pedaling the elliptical trainer with 40SPM or above for more than 6 seconds to turn on the unit. Start operating the elliptical trainer when the display enter Banner page. If the elliptical trainer cannot be turned on or the display turns dark or shows "PLUG IN SOCKET". Insert the power cord into the power supply socket and start pedaling the elliptical trainer. When the elliptical trainer is stop pedaling and no other activity for 2 minutes, the elliptical trainer will shut down. Start pedaling the elliptical trainer to restart the unit.

9. MAINTENANCE

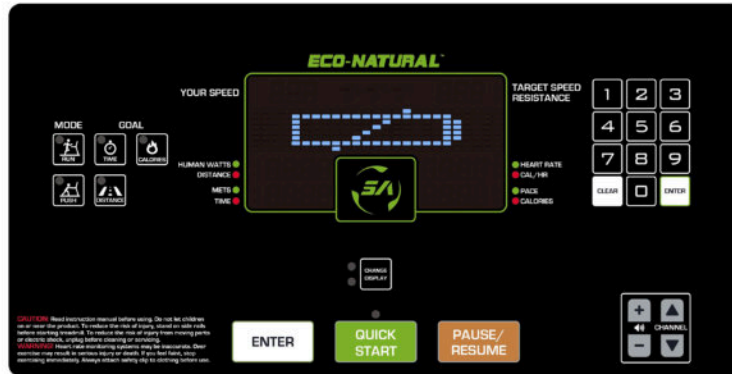
This section covers maintenance topics and includes a maintenance schedule, task list, and log.

MAINTENANCE Safety Precautions

- Please follow standard safety precautions when servicing this product.
- Electronic components can carry an electrical charge even after the product has been turned off. For safety, turn off unit power. Wait ten minutes to allow capacitors to discharge. Then disconnect the power cord from the wall socket (if applicable.) Only after such steps have been completed should covers be removed and electronic components accessed.
- Unplug product and wait ten minutes before performing maintenance.
- DO NOT use a damp towel to clean the product and do perform the following maintenances. For dirty or heavily used areas, Use a clean, lint-free towel, dampened with a mixture of Simple Green® all-purpose cleaner, to thoroughly clean the handlebar and the console.
- Do NOT use cleaners with alcohol, ammonia, or other damaging chemicals. The use of such chemicals can damage the product and void the warranty. Never spray or pour any liquid directly onto the product. Doing so can damage electronic components and void the warranty.
- This product has moving parts that can be hazardous. Exercise caution when maintaining, operating, or moving this product. Never spray or pour any liquid directly onto the product. Doing so can damage electronic components and void the warranty.
- Do not use accessories or parts that are not specifically recommended by the manufacturer (SportsArt). Such parts might cause injuries or cause the unit to fail and void the warranty. We are not responsible for any safety issue that arises due to the misuse of accessories or parts. At the same time, we will terminate the warranty terms of this equipment.
- The treadmill should be disconnected from its power source during service and when replacing parts.
- Maintenance and repair must be performed by trained service personnel only. Improper maintenance would not only damage the machine, but may also present a danger to the exerciser.
- Keep this product out of use until maintenance is completed.
- If you need to remove any cover for repair or maintenance, please contact your service technician or dealer; do not attempt repairs on your own.

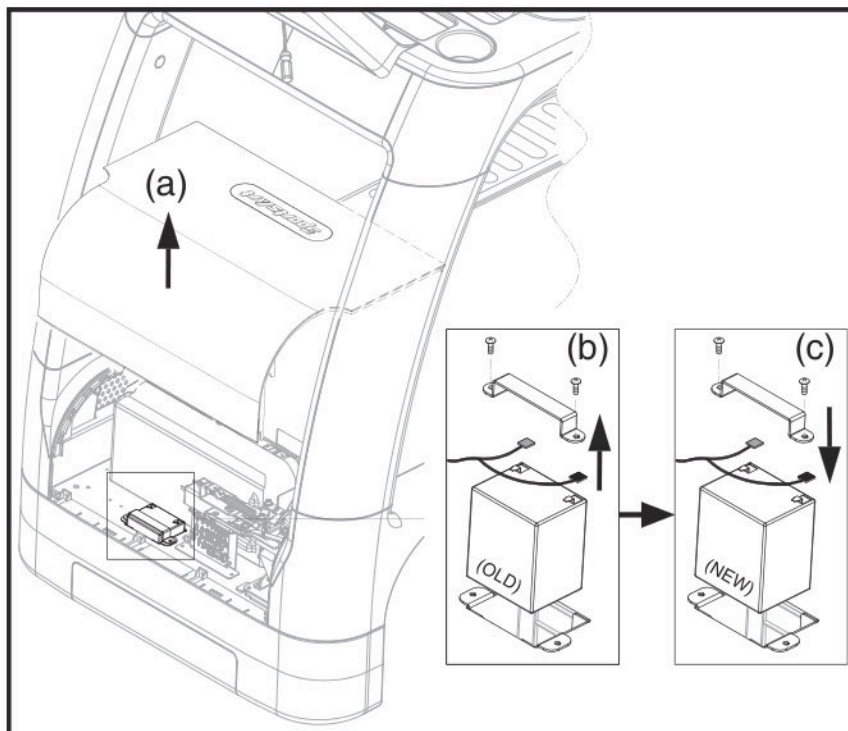
MAINTENANCE Battery Replacement (N685)

The following illustration will appear on the screen when the battery needs to be charged. At this point, the treadmill will stop operating after one minute. For details, please refer to “Battery Charge”.



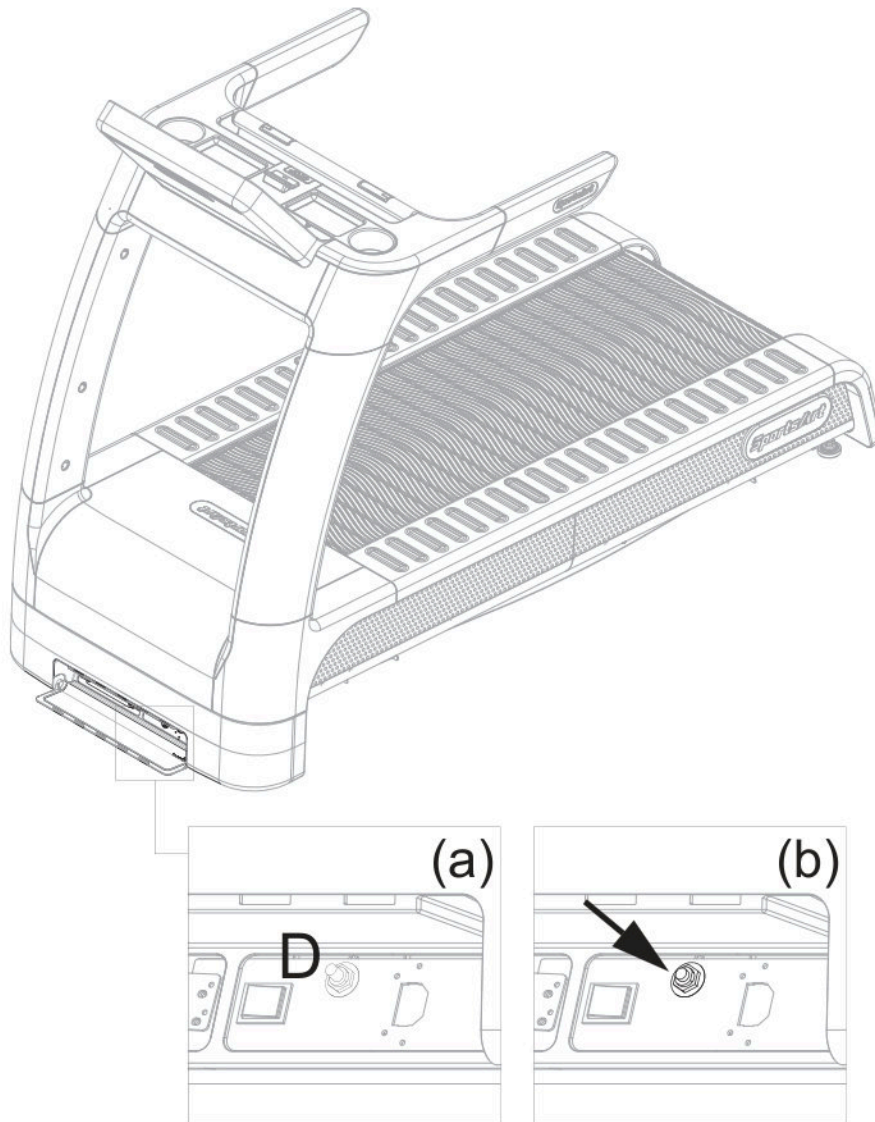
The battery needs to be replaced if the illustration appears again after charging. To replace a battery, follow instructions (a) through (d) below.

- (a) First, remove the cover as shown.
- (b) Remove screws, battery bracket and red/black wire.
- (c) Install a new battery and secure it with screws, battery bracket and red/black wire in order.
- (d) Secure the cover back into place and then charge the battery according to “STEP 0 Preparation”.



MAINTENANCE Circuit Breaker (G690)

- (a) A circuit breaker is an automatically operated electrical switch designed to protect an electrical circuit from damage caused by overcurrent/over load or short circuit. A spring located under the push button causes the button at area D to lift up and the breaker to trip as shown.
- (b) After the fault is repaired by qualified technicians, press the push button to reset circuit breaker to resume normal operation as shown.



MAINTENANCE Schedule

If there is a need for maintenance of components, please visit the SportsArt website.

cleaning requirements

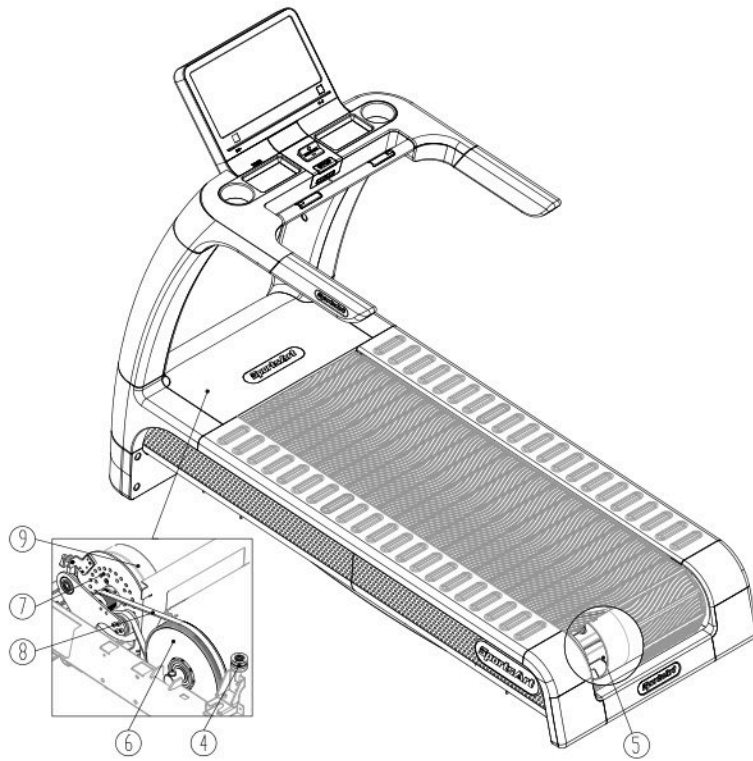
1.directive 93/42/CEE

2.directive biocide 98/8/CEE

The disinfectant has to be in compliance with Medical Device Directive 93/42/EEC (MDD) and Biocidal Products Directive 98/8/EC (BPD).

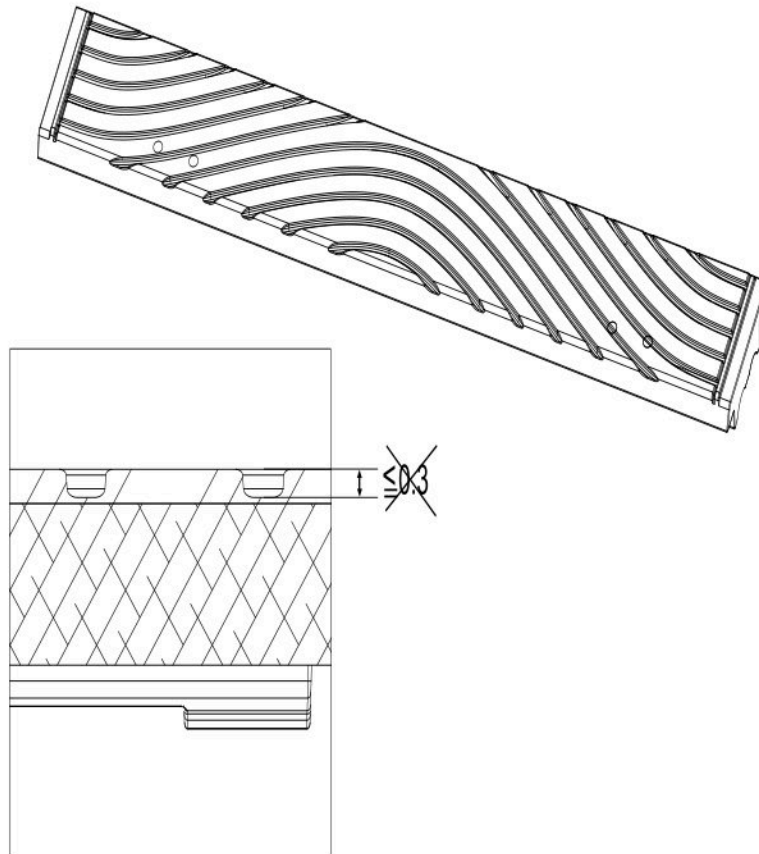
It is suited for sensitive synthetic surfaces such as synthetic leather, polycarbonate (PC), acrylic glass and polysulfone, and for the keyboards and control panels.

	Area	Day	Week	Month	Quarter	Year	Notes
1	Exterior	•					Clean.
2	Screws	•					Inspect and secure loose parts.
3	Treadmill test		•				Ensure all features and modes function properly.
4	Belt guides				•		Inspect for normal rotation.
5	Front roller				•		Inspect for normal rotation.
6	Rear roller				•		Inspect for normal rotation.
7	Interior				•		Remove dust and debris.
8	Drive belt					•	Replace once every three years.
9	Brake pad			•			Replace once touches screws.
10	Walk belt		•				Inspect alignment (centering) and look for wear



MAINTENANCE Note

The pattern depth less than 0.3 mm for walk strips is prone to slip and fall accidents occurring. It is necessary to replace new walk strips in time to ensure the safety during exercising.



MAINTENANCE Task List

Like cars, fitness products require maintenance. Regular maintenance extends product life, and failure to maintain products can void the manufacturer's warranty. Copy the maintenance log sheet, and record maintenance work for each fitness product.

Daily tasks

1. Use a clean, lint-free towel to thoroughly clean the product exterior.
2. Inspect all screws. Secure if necessary.

Weekly tasks

Run a treadmill test weekly to make sure it is operating properly.

Monthly tasks

Inspect brake pad monthly, replace once touches screws.

Quarterly

1. Inspect the belt guides for normal rotation.
2. Inspect the front roller for normal rotation.
3. Inspect the rear roller for normal rotation.
4. Remove dust and debris from the product interior.

Yearly

Replace the drive belt once every three years.

Caution

- Please follow standard safety precautions when servicing this product.
- Do NOT use cleaners with alcohol, ammonia, or other damaging chemicals. The use of such chemicals can damage the product and void the warranty. Never spray or pour any liquid directly onto the product. Doing so can damage components and void the warranty.

MAINTENANCE Maintenance Log

Facility: _____ Supervisor: _____

Product model number: _____ Serial number: _____

Start date: _____ End date: _____

Daily Tasks	Week 1-7							Week 8-14							Week 15-21							Week 22-28									
Completed																															

Daily Tasks	Week 29-35							Week 36-42							Week 43-49							Week 50-52									
Completed																															

Weekly Tasks	Week 1-7							Week 8-14							Week 15-21							Week 22-28									
Completed																															

Weekly Tasks	Week 29-35							Week 36-42							Week 43-49							Week 50-52									
Completed																															

Monthly Tasks	1	2	3	4	5	6	7	8	9	10	11	12
Completed												

Quarterly Tasks	Quarter 1	Quarter 2	Quarter 3	Quarter 4
Completed				

Yearly Tasks	Year 1
Completed	

Notes: _____

10. ACCESSORIES

ACCESSORIES Standard

USB CHARGER

G690: The USB port provides up to 5V, 1A of power for charging.

N685: Charging is not supported .

CSAFE PORT

Compatible with CSAFE (Communications Specification for Fitness Equipment) Protocol.

ACCESSORIES Option

SA WELL+ Member System

This is designed specially by SportsArt to assist the user in managing their workout history. There are three ways to get connected with the member site:

1. Using a smartphone, connect to the unit via Bluetooth/WIFI and use the SA WELL+ App. The App is available for download in the App Store and Google Play.

Visit “www.gosportsart.com” for more information about this feature.



No.	Name of button	Function
a	USB port	For SA WELL+ software updates.
b	Bluetooth/WIFI button	When a smart phone is connected wirelessly to the treadmill, press this button to disconnect. Scan the QR code or tap the NFC tag on the console to connect to the equipment again.

ACCESSORIES MYE Wireless TV Audio_Channel Receivers

[To purchase, please contact MYE Inc. <http://www.myclubtv.com/>]

Multiple TV and audio channels receiving and volume adjustment enabled.

- The following two modules are available for this receiver (to be purchased by client):
 1. MC3R-9(900MHZ), which has to be used with a MYE Wireless TV Digital Audio Channel Transmitter MWTD-S9.
 2. MC3R-8(863MHZ), which has to be used with a MYE Wireless TV Digital Audio Channel transmitter MWTD-S8.

Choose a suitable module according to country of location. (Please contact MYE Inc. for detail specification and technical information)

For example: Wireless TV transmission frequency in America is 900MHZ. Wireless TV transmission frequency in Europe is mostly 863MHZ (or nominally 800MHZ).

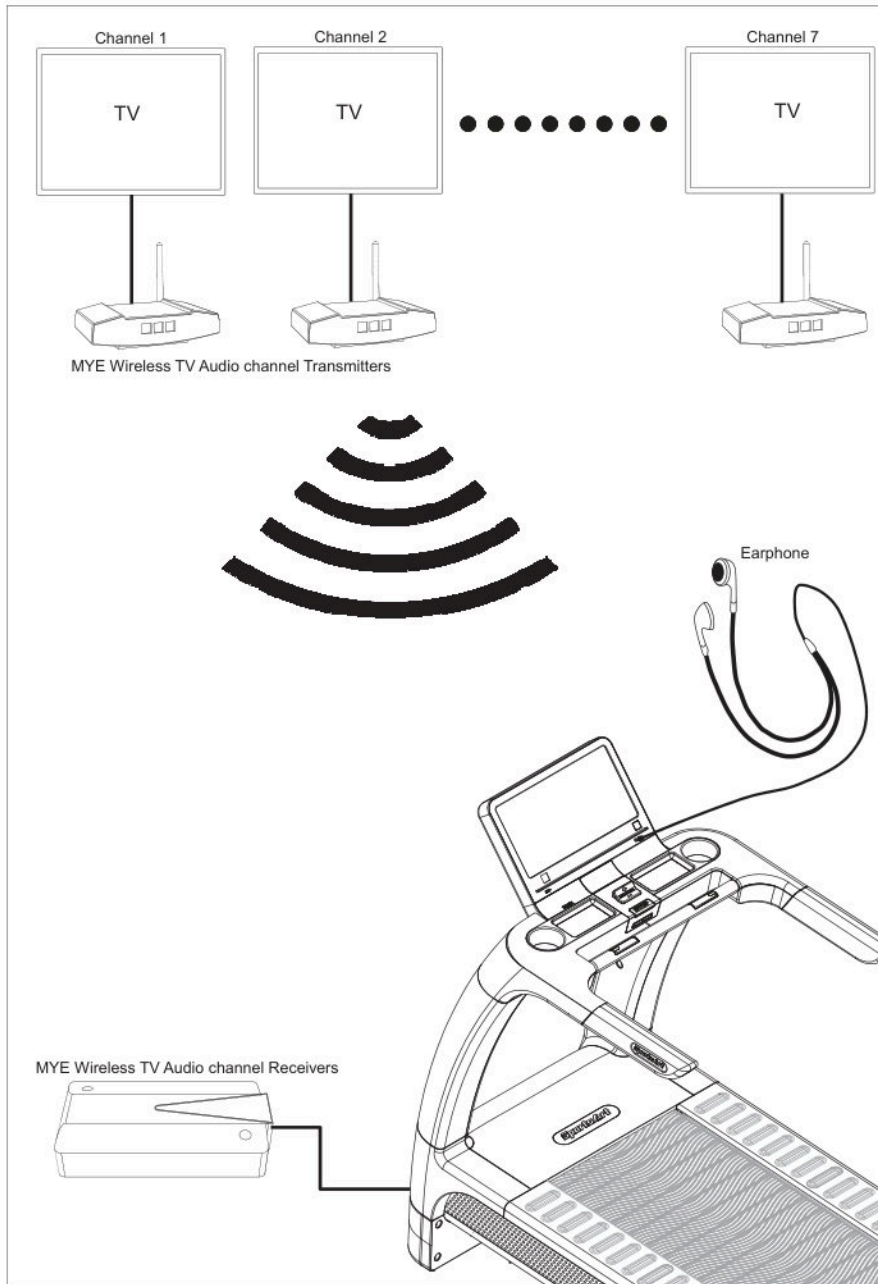
- Operation instruction: Turn off treadmill power, plug the receiver into the CSAFE port located at left of display and then turn on the power.
- The VOLUME +/- keys and CHANNEL ▲/▼ keys will be activated once the receiver is plug into the unit.

Press VOLUME +/- keys to adjust volume settings. The volume setting range is from 0 to 15, with a default setting of 5.

Press CHANNEL ▲/▼ keys to change channel settings. The channel setting range is from 1 to 32, with a default setting of 1. The display will show "CH XX" during setting.
- Note: Do not unplug the receiver from unit before turning off the power to avoid receiver being damaged.

ACCESSORIES MYE Wireless TV Audio_Channel Receivers

- The following is a schematic diagram of the connection:

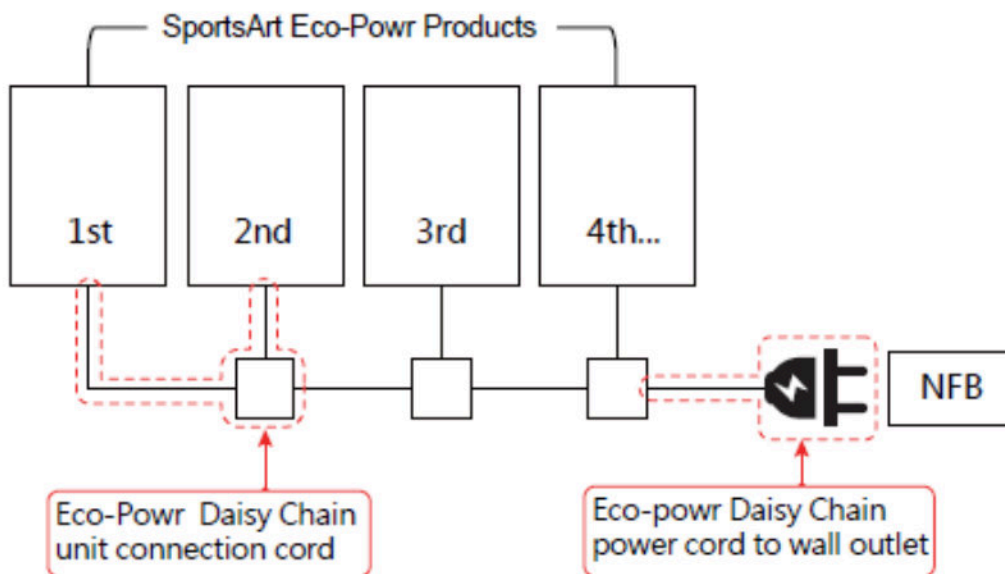


ACCESSORIES Option

This optional accessory SportsArt Eco-Powr Daisy Chain unit connection cord is suitable only for G690.

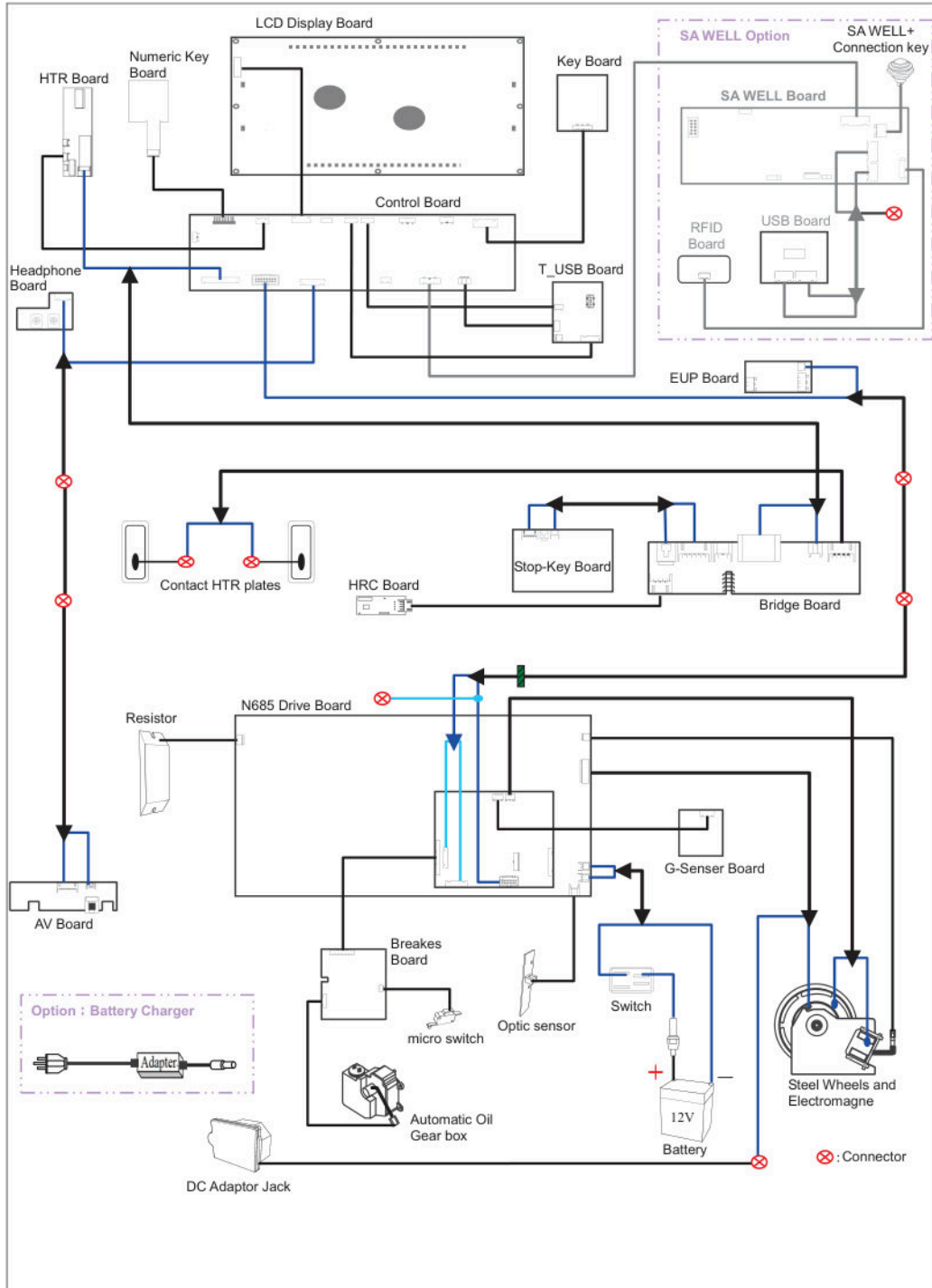
SportsArt Eco-Powr Daisy Chain cable unit connection cable allows multiple Eco-Powr products to be powered from a single electrical socket.

Mains voltage/The number of Eco-Powr products connected		
Mains Voltage	Withstand Current	The number of Eco-Powr products connected
220V	10A	8
120V	15A	7
110V	15A	6



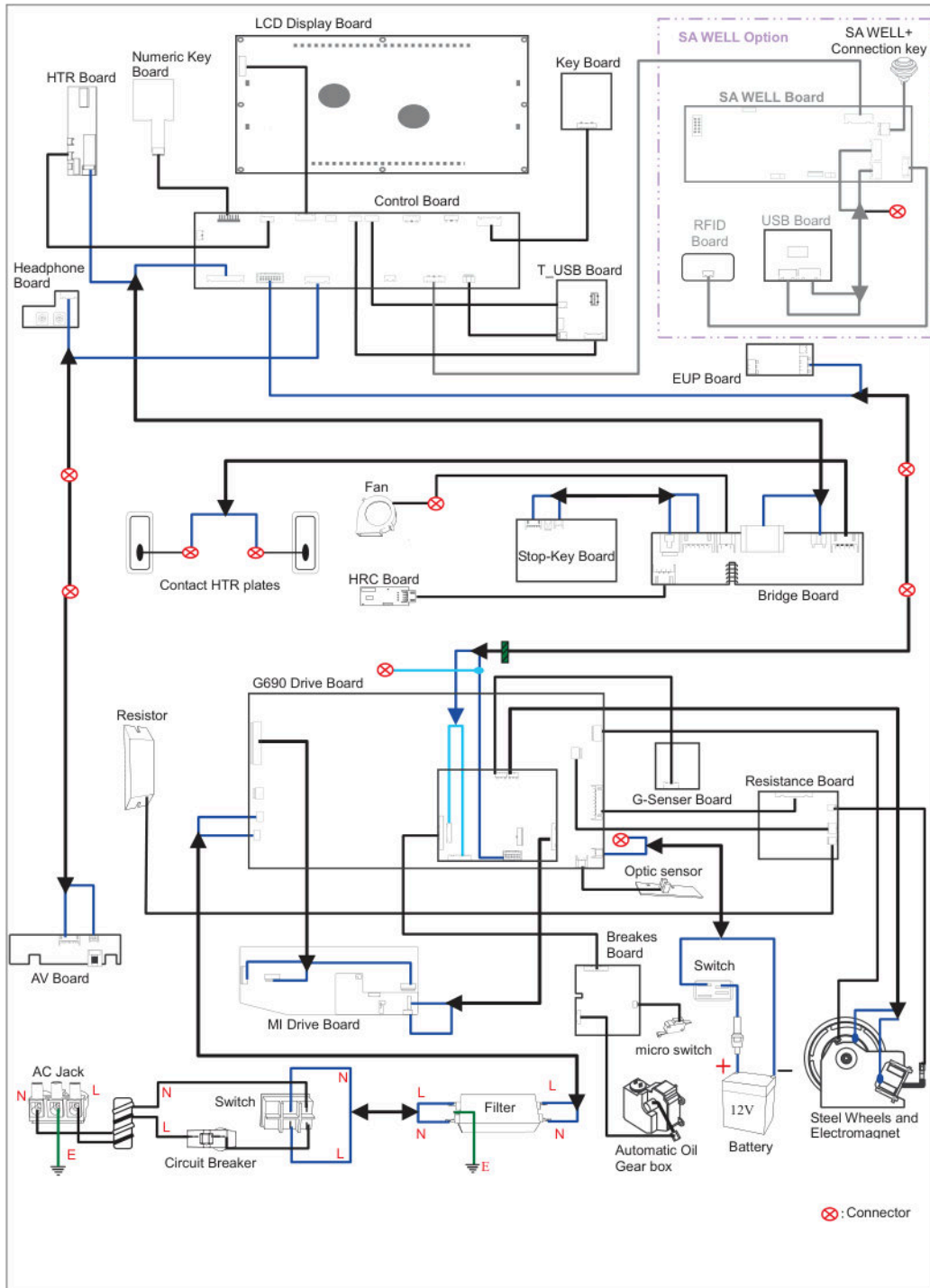
11. APPENDIXES

APPENDIX N685 wiring diagram




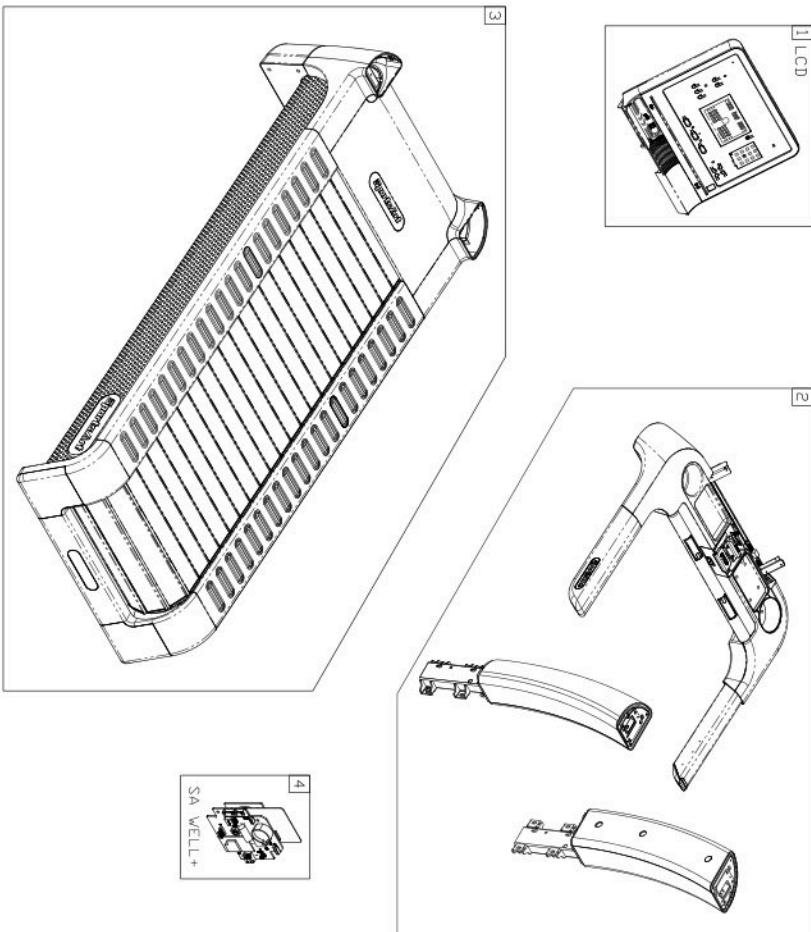
APPENDIX Wiring Diagram

G690 wiring diagram




APPENDIX Exploded Diagram

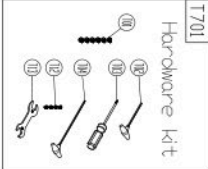
CHANGE DATE	CHANGE DESCRIPTION	CHANGE NO.	NAME	
 SportsArt FITNESS				
<small>RESTRICTED USAGE. PLEASE DON'T FORWARD TO ANYONE WHO DON'T AUTHORIZE</small>				
DRAWN BY	UNITS	SALES BLDV	UP DIAGRAM NO.	MODEL
VERIFIED BY	MM QTY 1	XX		TBR-F101A-A
	VERSION A0			G690/N685
	RAVIO 1:1:2			



No.	Diagram	Tool Needed
1	TBR-F101B	LCD
2	TBR-F101C	
3	TBR-F101D	
3	TBR-F101E	
3	TBR-F101F	
4	TBR-F101G	OP/TIDNS

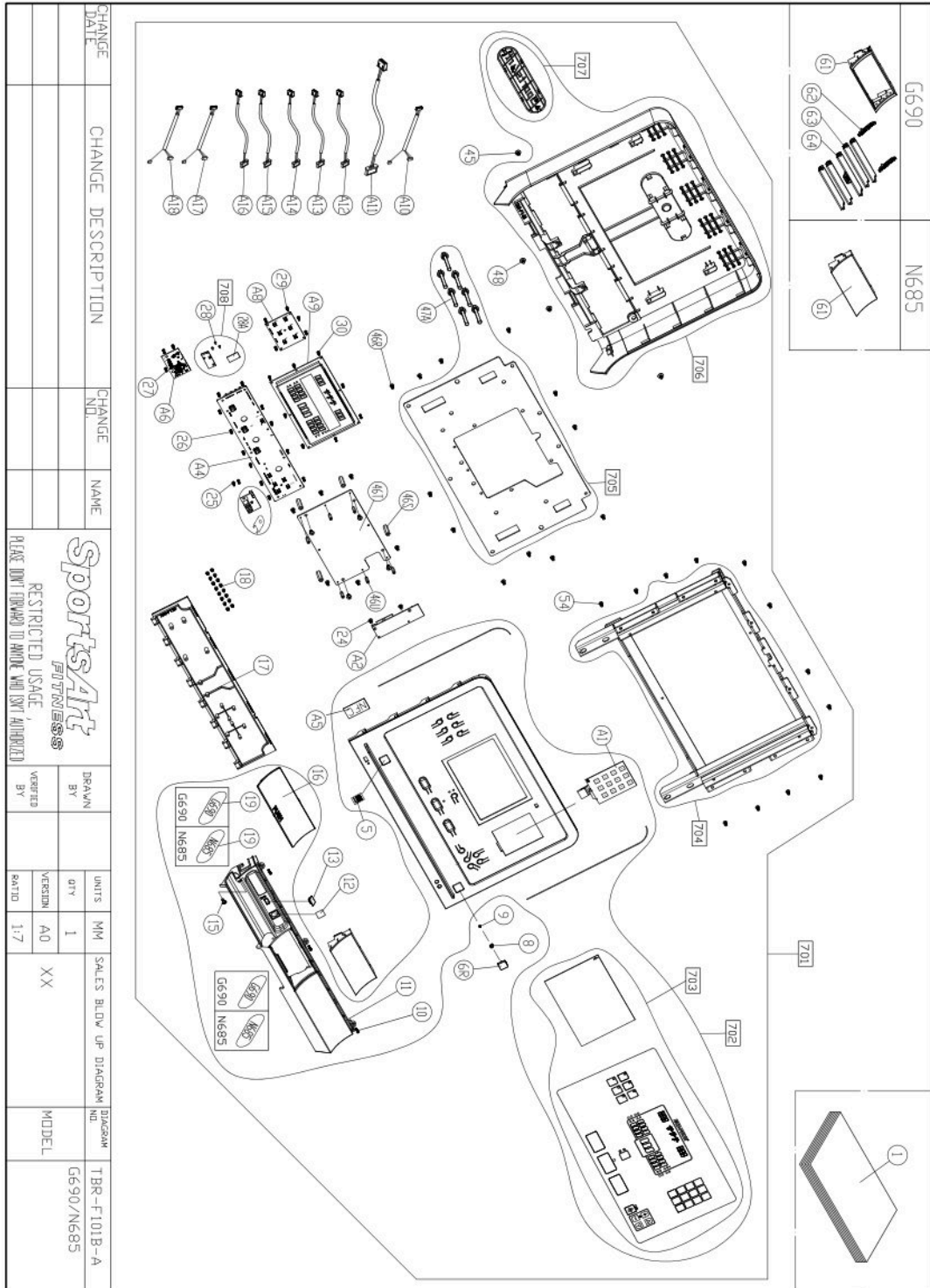


Owner's manual




Hardware kit


APPENDIX Exploded Diagram

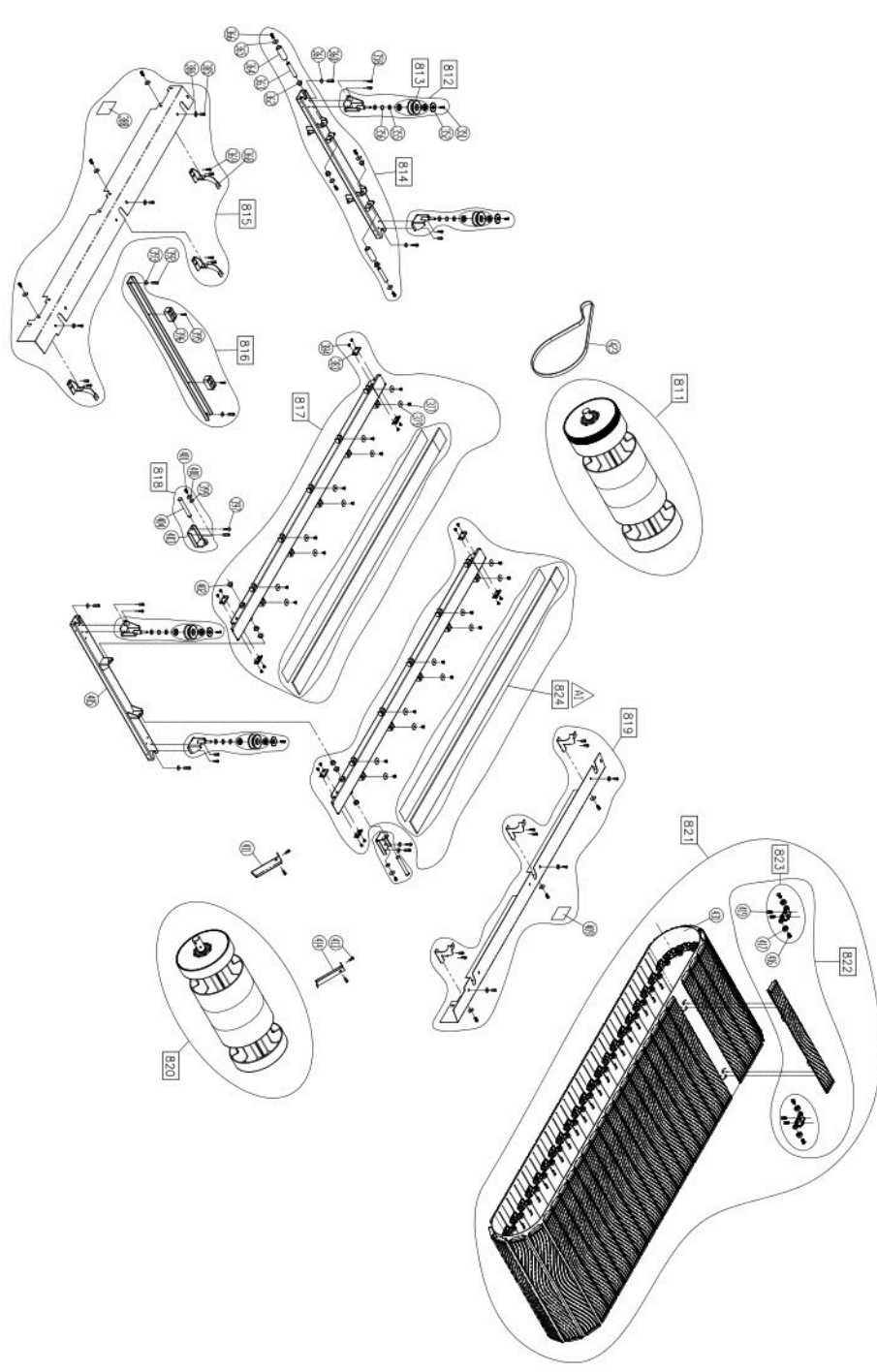


APPENDIX Exploded Diagram

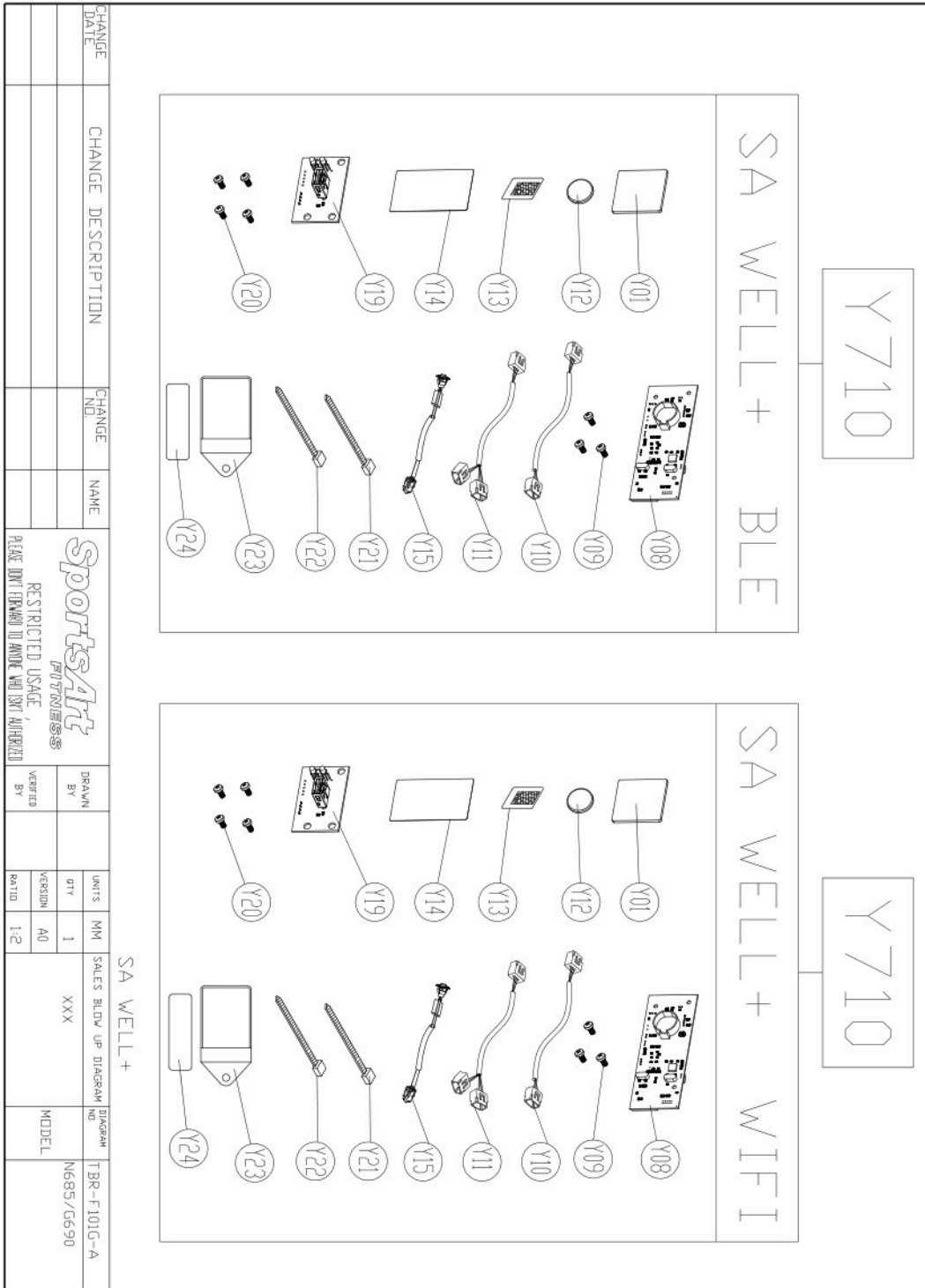
CHANGE DATE	CHANGE DESCRIPTION	CHANGE NO.	NAME	 RESTRICTED USAGE PLEASE DON'T FORWARD TO ANYONE WHO'S NOT AUTHORIZED	DRAWN BY	UNITS	MM	SALES BLOW UP DIAGRAM	DISCERN NO.	MODEL
2018.04.11	因配合手提吹風機維修系統圖紙如下組裝, 故取消 732, 新增 730		林士文			1				TBR-F101D-A
2018.05.21	因配合電線板式度邊測試板, 取消 732, 新增 737		陳坤榮				A2	XX		
					KERBED BY		1:1.5			

APPENDIX Exploded Diagram

CHANGE DATE	CHANGE DESCRIPTION	CHANGE NO.	NAME	 <p>RESTRICTED USAGE TRADE MARK</p>	DRAWN BY	UNITS	MM	SALES BLOW UP DIAGRAM	DIAGRAM NO.	MODEL	
2018.06.05	▲新機種追加 824		張文仁		VERIFIED BY	mm	1	XX			TBR-F101E-A
				PLEASE DON'T FORWARD TO ANYONE WHO'S NOT AUTHORIZED		RATIO	1:1.4				



APPENDIX Exploded Diagram



Your Authorized Distributor